

| LOC | DIST | REVISIONS | | | |
|-----|------|---------------------------|---------|-----|------|
| P | LTR | DESCRIPTION | DATE | DWN | APVD |
| A1 | - | | | | |
| | A1 | REVISED PER ECO-11-005150 | 28MAR11 | RK | HMR |

Siehe Produktgruppenzeichnung
929453

REFER TO PRODUCT GROUP DRAWING
FOR LATEST INFORMATION
ON THE PART
929453


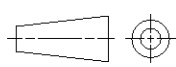
RELEASED FOR PUBLICATION

ALL RIGHTS RESERVED.

THIS DRAWING IS UNPUBLISHED.

BY -

© COPYRIGHT -

| | | | | | | |
|--|--|------------------|---|-----|---------------|-------|
| DIMENSIONS: mm | DWN S. Garcia | 30SEP99 | MATERIAL | - | FINISH | - |
| | CHK R. Jetter | 30SEP99 |  TE Connectivity | | | |
| TOLERANCES UNLESS OTHERWISE SPECIFIED: | APVD | - | | | | |
| 0 PLC ±- | PRODUCT SPEC | - | NAME MQS Stiftkontakt MQS PIN CONTACT | | | |
| 1 PLC ±- | APPLICATION SPEC | - | | | | |
| 2 PLC ±- | WEIGHT | - | SIZE | A 4 | CAGE CODE | 00779 |
| 3 PLC ±- |  | DRAWING NO | C=928918 | | RESTRICTED TO | - |
| 4 PLC ±- | | CUSTOMER DRAWING | SCALE | % | SHEET | OF |
| ANGLES ±1° | | | | | | |