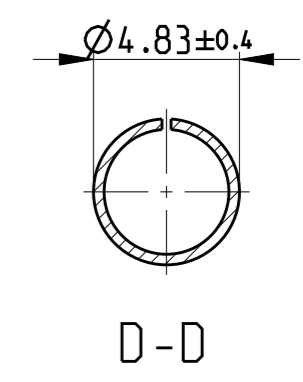
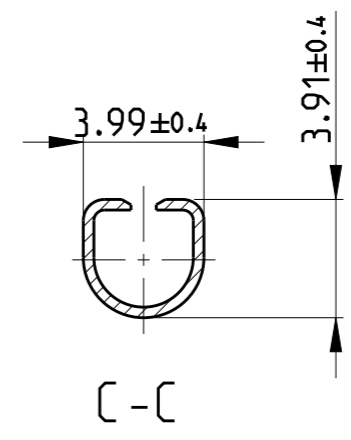
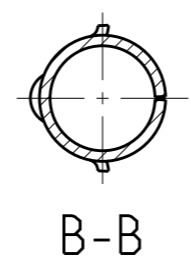
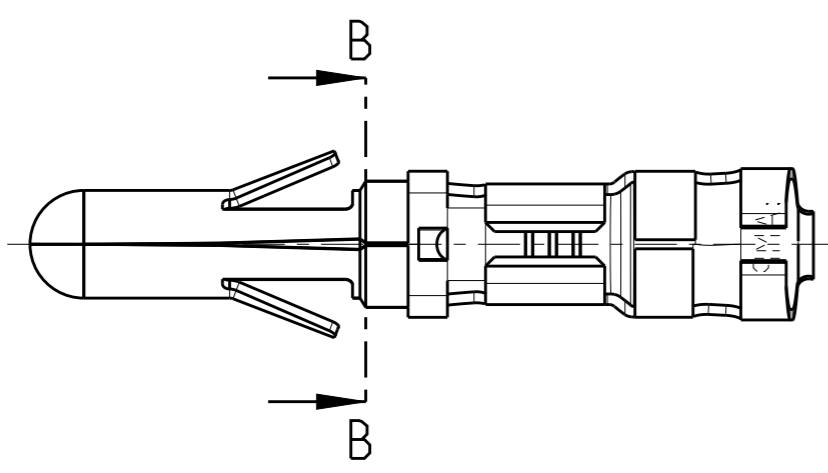
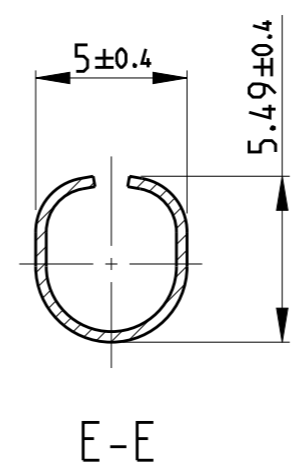
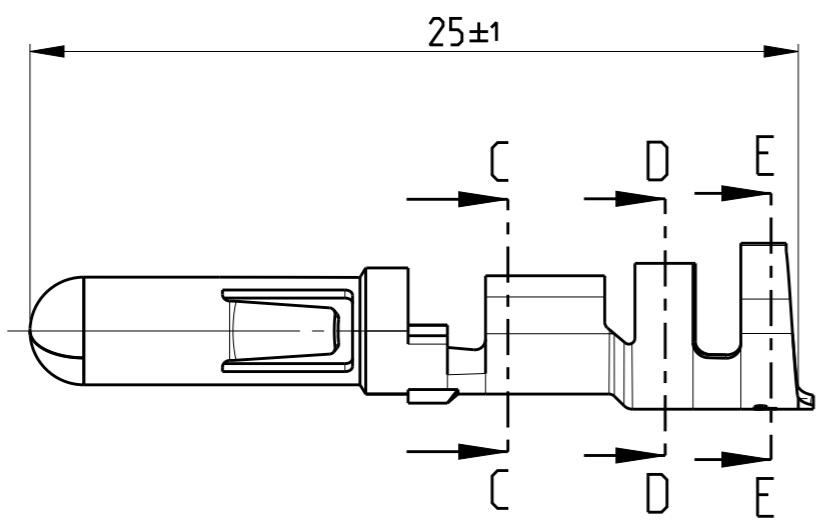


THIS DRAWING IS UNPUBLISHED. RELEASED FOR PUBLICATION 2008
 © COPYRIGHT 2008 BY TYCO ELECTRONICS CORPORATION. ALL RIGHTS RESERVED.

LOC	DIST	REVISIONS					
AL	2	P	LTR	DESCRIPTION	DATE	DWN	APVD
			L	New drawing released	24NOV2008	J.S	L.B
			L1	rev_desc_2	17DEC2009	KK	AEG
			L2	REVISED PER ECR-20-005051	27OCT2020	SS	VS



NOTE:
 1 OBSOLETE PARTS: OBSOLETE CIS STREAMLINING PER D.RENAUD/D.SINISI

1	OBSOLETE	2.1-4mm ²	max. 4.5mm	Plain	Phosphor Bronze	925662-4
		2.1-4mm ²	max. 4.5mm	Silver	Phosphor Bronze	925662-3
		2.1-4mm ²	max. 4.5mm	Pre-tin	Phosphor Bronze	925662-2
		2.1-4mm ²	max. 4.5mm	Pre-tin	Brass	925662-1
	DGB	Insulation Ø	Finish	Material	Loose piece no.	

<small>THIS DRAWING IS A CONTROLLED DOCUMENT FOR TYCO ELECTRONICS CORPORATION. IT IS SUBJECT TO CHANGE AND THE CONTROLLING ENGINEERING ORGANIZATION SHOULD BE CONTACTED FOR THE LATEST REVISION.</small>		DWN J. Salo 24NOV2008 CHK Anna Herranz 24NOV2008 APVD L. Battlo 24NOV2008		Tyco Electronics Corporation Barcelona, Spain.	
DIMENSIONS: mm 		TOLERANCES UNLESS OTHERWISE SPECIFIED: 0 PLØ ±0.4 1 PVC ±0.4 2 L/C ±0.4 3 P/C ±0.4 4 P/LC ±0.4 ANGLES ±1° 30' FINISH see table		NAME .140 DIA PIN PRODUCT SPEC - APPLICATION SPEC - WEIGHT -	
MATERIAL see table		SIZE A3	CAGE CODE -	DRAWING NO C-925662	RESTRICTED TO
CUSTOMER DRAWING			SCALE 4:1	SHEET 1 OF 1	REV L2