

**901 - 20 RT 1 - 19 - 0 PN \* T \*\*\***

CONNECTOR TYPE  
As per ST 538 AGB/T

SHELL TYPE  
20 : Plug  
21 : Receptacle with nut and anti rotation teeth  
92 : Receptacle with 4 screws  
24 : Short receptacle with 4 screws fixing without need for backfitting

ARRANGEMENTS  
(See pages 8 and 9)

SHELL SIZE  
7-12-19-27-37-48-61-121

CONTACT TYPE  
P : Male contact  
S : Female contact

KEYING SYSTEM  
N : Normal  
W-X-Y-Z : Others  
(See page 8)

INDEX FOR CONTACTS  
(See pages 24 to 27 size 8 and coax)

THERMO-SHRINK SLEEVE  
Supplied with accessory  
(for RT - CT - CS - CC and ET indicate index T)

SPECIAL MODIFICATIONS  
090 : Connector supplied without contacts, order contacts separately, see pages 24 to 27)

FITTING BACK TYPE

Back nut : R  
Straight accessory (with adaptor for individual cable) : RT  
Elbow accessory (with adaptor for individual cable) : CT  
Elbow accessory (for multipurpose cable) : CS  
Short elbow accessory (with adaptor for individual cable) : CC  
Potting cup for thermo-shrink sleeve : ET  
daptor for straight or elbowed light weight cable clamp : RA  
Adaptor for heavy duty cable clamp : RD  
Accessories for special cables, please consult us

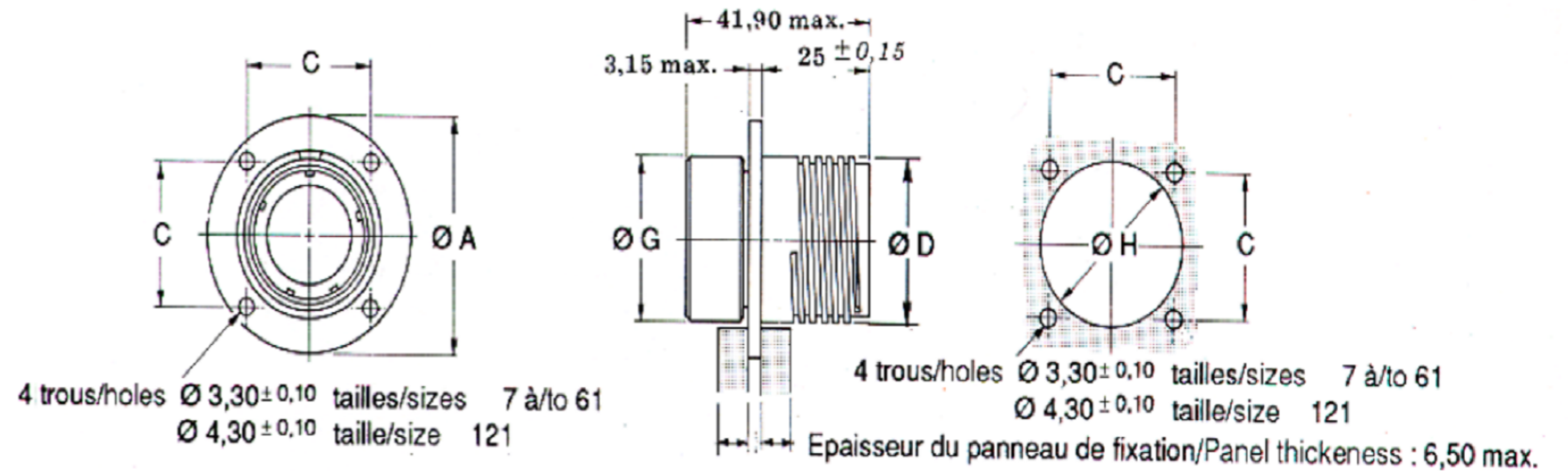
ACCESSORY INDEX AS PER Ø CABLE  
(only for accessories RT - CT and CC)

Index	SHELL SIZES							
	7	12	19	27	37	48	61	121
1	9	12,5	14,5	17	18,5	20,5	22	22
	to 12,5	to 14,5	to 16,5	to 19	to 20,5	to 25	to 24	to 24
2	12,5	14,5	16,5	19	20,5	25	24	24
	to 15	to 19	to 20	to 23	to 25	to 31	to 31	to 31
3	15	19	20	23	25	31	31	31
	to 16,5	to 21	to 22	to 28	to 31	to 33,5	to 38,5	to 38,5

**FIXATION PAR 4 VIS SANS POSSIBILITE DE RACCORD**  
**4 SCREW FIXING WITHOUT NEED FOR BACKFITTING**

**Type 24 R**

**PERÇAGE PANNEAU**  
**PANEL HOLE DETAIL**



Taille Size	A max.	C ± 0,10	D max.	G max.	H + 0,20 - 0
7	38,00	22,00	24,90	24,50	27,00
12	44,00	27,00	28,00	27,10	31,00
19	46,00	28,00	31,90	30,80	35,00
27	49,00	30,00	35,90	35,55	38,00
37	53,00	33,00	38,90	38,70	42,00
48	56,00	35,00	42,90	43,90	45,00
61	59,00	37,00	45,90	45,90	48,00
121	78,00	48,00	56,90	56,90	63,00

**CHARACTERISTIQUES**

- Shell material : Aluminium alloy, coupling ring , Marine bronze UA9 NFe
- Insert material : Thermosetting resin, silicone elastomer
- Contact : Crimp type, gold over nickel
- Temperature range : - 55° C to + 125° C
- Withstanding voltage : At sea level  
Service 1 - 1500 V eff. 50 Hz  
Service 2 - 1000 V eff. 50 Hz

DIMENSIONS: MM	TOLERANCES UNLESS OTHERWISE SPECIFIED:
	0 PLC ±-
	1 PLC ±-0.05
	2 PLC ±-0.05
	3 PLC ±-0.02
	4 PLC ±-
ANGLES ±°	
SURFACE TEXTURE	

DWN LAKSHMI SUDHA R	MATERIAL -	HEAT TREAT -
CHK RAKESH S		
APVD VINCENT P		
NAME 901 SERIES RECEPTACLE WITH BACKNUT		
SCALE 2:1	SIZE A3	DRAWING NO 901_24R_++
SHEET 1 OF 1		REV A