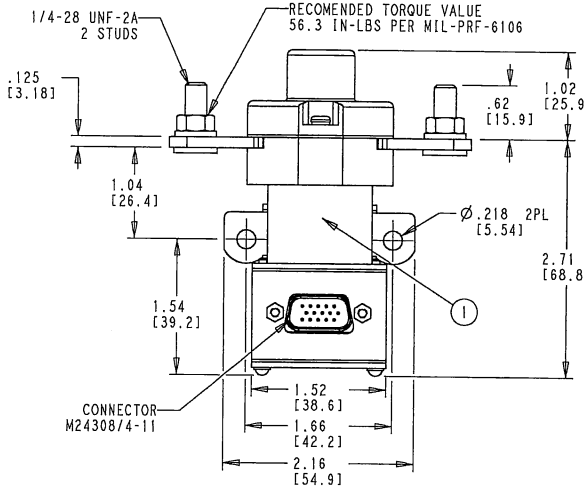
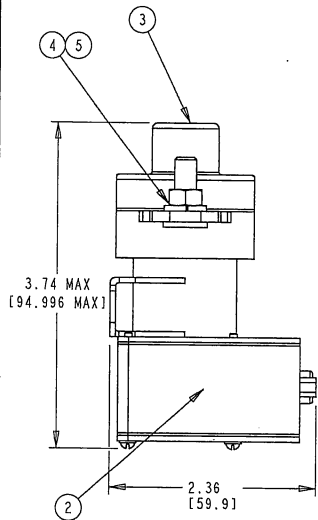


CONSTRUCTION		GASKET SEALED	
MAIN CONTACTS		CONFIGURATION	
VOLTAGE		SPST N.O. (DOUBLE BREAK)	
CURRENT		28 VDC	
RESISTIVE		400 AMPS	
INDUCTIVE		100 AMPS	
OVERLOAD		2000 AMPS	
MOTOR		1875 AMPS FOR 0 TO 5 SEC.	
		1700 AMPS FOR 5 TO 10 SEC.	
		1500 AMPS FOR 10 TO 15 SEC.	
		1200 AMPS FOR 15 TO 20 SEC.	
		1000 AMPS FOR 20 TO 25 SEC.	
		750 AMPS FOR 25 TO 30 SEC.	
		500 AMPS FOR 30 TO 90 SEC.	
AUXILIARY CONTACTS		CONFIGURATION	
VOLTAGE		4PDT (FORM C)	
CURRENT		28 VDC	
RESISTIVE		5 AMPS	
INDUCTIVE		2 AMPS	
LAMP		1 AMP	
LOW LEVEL		10 mA AT 28 VDC	
TRANSIENT SUPPRESSION		±42 VDC	

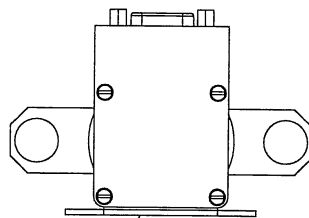
COIL DATA		CONTINUOUS (ECONOMIZED)	
DUTY CYCLE		32.5 VDC	
MAX OPERATE VOLTAGE		28 VDC	
NOM OPERATE VOLTAGE		14 VDC AT 25°C	
MAX PICKUP VOLTAGE		1.5-7 VDC MAX	
DROPOUT VOLTAGE			
COIL CURRENT		5.5 AMP MAX AT 25°C	
INRUSH		400 mA MAX 25°C	
HOLD			

OPERATING CHARACTERISTICS		35 MILLISECONDS MAX.	
OPERATE TIME		20 MILLISECONDS MAX.	
RELEASE TIME			
ENVIRONMENTAL DATA			
TEMPERATURE		-55°C TO 85°C	
ALTITUDE		51,000 FEET	
LIFE ELECTRICAL		50,000 CYCLES MIN.	
LIFE MECHANICAL		100,000 CYCLES MIN.	
WEIGHT MAX EST.		.77 LBS.	

NOTES:
1. AUXILIARY CONTACTS ARE GOLD PLATED.
2. 1 MILLIAMPERE RATING DOES NOT APPLY IF CONTACTS HAVE SWITCHED LOADS ABOVE 1 MILLIAMPERE.



CONNECTOR
M24308/4-11



SURFACE USED FOR
BONDING ON AIRCRAFT

5	2	51807-034	1/4 WASHER LOCK SPLIT			3-1616380-0
4	2	50407-074	1/4-28 NUT			9-1616337-0
3	1	47619-260	PRIMARY ASSEMBLY			7-2252000-9
2	1	44900-034	SCHEMATIC DIAGRAM			7-2252000-4
1	1	44899-055	NAME PLATE			7-2252000-3

FIND QTY	NO	RECD	PART OR IDENTIFYING NO	NOMENCLATURE OR DESCRIPTION	DRAWING OR SPECIFICATION NO	FSCH	TE	PART NO	MATERIAL OR NOTE
----------	----	------	------------------------	-----------------------------	-----------------------------	------	----	---------	------------------

CAGE CODE: 74063
38 Mar Indus Division 175 N. RANDOLPH STREET HANDEL, OHIO 44830

TE Connectivity

CONTRACTOR - SPST N.O. DB
400 AMP, 28 VDC

SCALE: 1:1 SIZE: A2 DRAWING NO: 9-1616999-1 SHEET 1 OF 1 REV A

LT	REVISION RECORD	DATE	DNW	APVD
A	REL REV 3, AUX CNT WAS 2PDT IS 4PDT	22.JUL.2016	RSS	

THIS INFORMATION IS CONFIDENTIAL AND PROPRIETARY TO TYCO ELECTRONICS CORPORATION AND ITS WORLDWIDE SUBSIDIARIES AND AFFILIATES. IT IS THE PROPERTY OF TYCO ELECTRONICS CORPORATION AND IS NOT TO BE DISCLOSED TO ANYONE, IN ANY MANNER, WITHOUT THE EXPRESS WRITTEN AUTHORIZATION FROM TYCO ELECTRONICS CORPORATION.