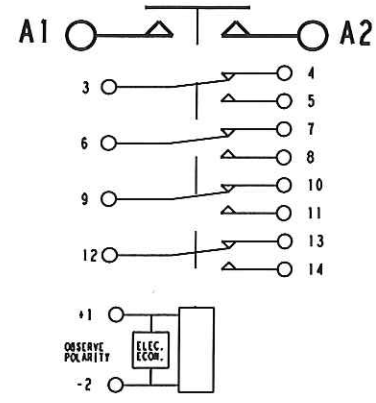
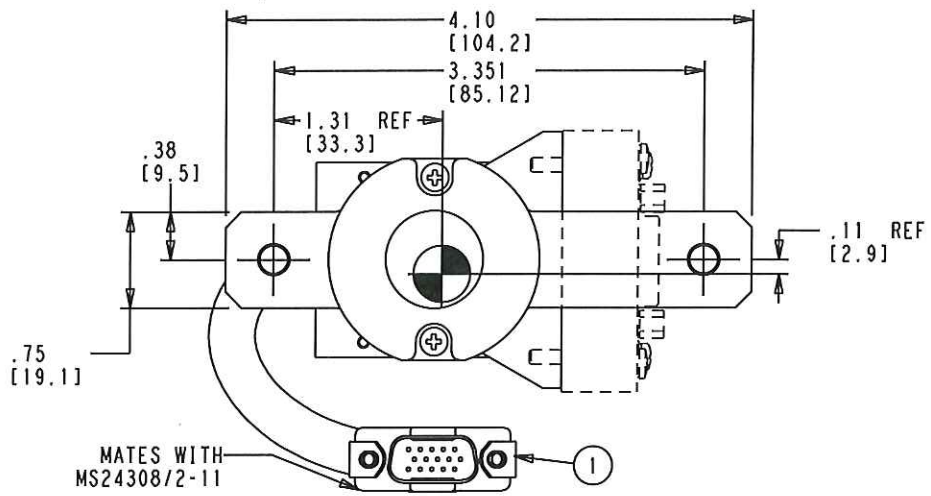
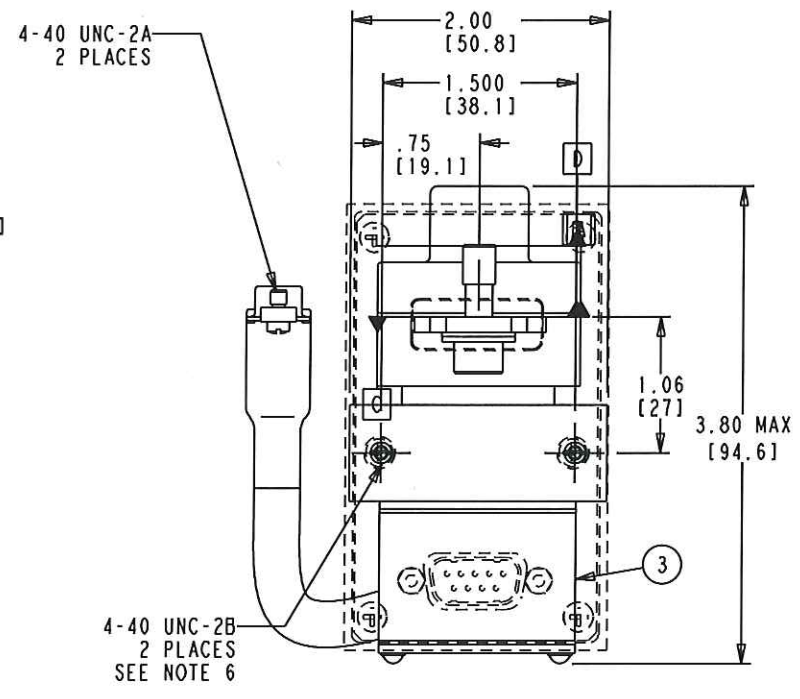
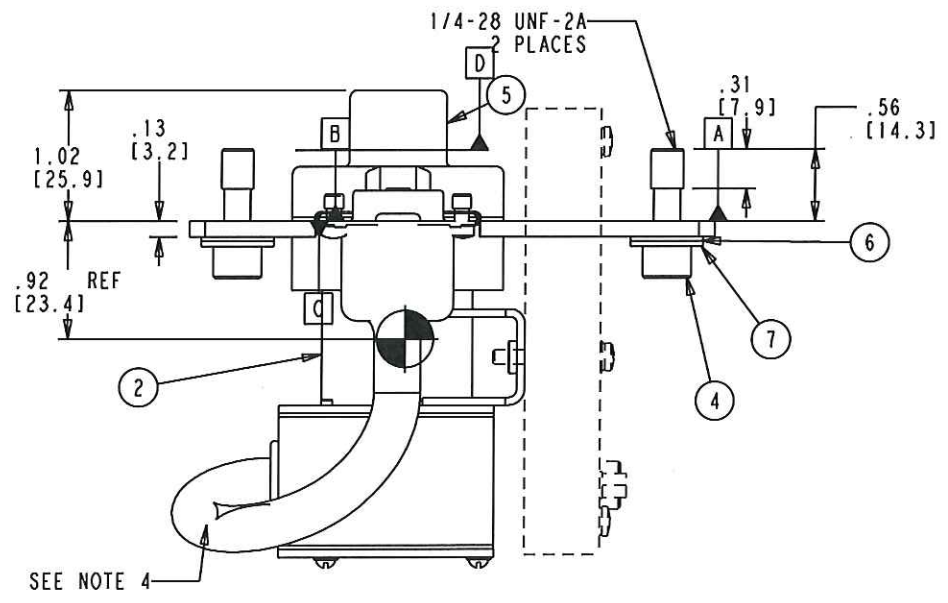


REVISIONS		RELEASED	
REV.	DESCRIPTION	DATE	APPROVED
A	RELEASED TO PROD. FROM REV 6	27APR2015	<i>MDM</i>



CONSTRUCTION	GASKET SEALED
MAIN CONTACTS	
CONFIGURATION	SPST N.O. (DOUBLE BREAK)
VOLTAGE	28 VDC
CURRENT	
RESISTIVE	400 AMPS
OVERLOAD	450 AMPS FOR 5 MIN. 1000 AMPS FOR 10 SEC.
INRUSH	1500 AMPS
RUPTURE	4000 AMPS
MOTOR	1875 AMPS FOR 0 TO 5 SEC. 1700 AMPS FOR 5 TO 10 SEC. 1500 AMPS FOR 10 TO 15 SEC. 1200 AMPS FOR 15 TO 20 SEC. 1000 AMPS FOR 20 TO 25 SEC. 750 AMPS FOR 25 TO 30 SEC. 500 AMPS FOR 30 TO 90 SEC.
VOLTAGE DROP	150 mV MAX
BOUNCE	5 mS AT 28 VDC 25°C
AUXILIARY CONTACTS	
CONFIGURATION	4PDT
VOLTAGE	28 VDC
CURRENT	
RESISTIVE	5 AMPS
INDUCTIVE	1 AMP
BOUNCE	5 mS AT 28 VDC 25°C
SIMULTANEOUS	10 mS AT 28 VDC 25°C
DIELECTRIC WITHSTAND	1000 Vrms
COIL DATA	
DUTY CYCLE	CONTINUOUS (ELECTRONIC ECONOMIZED)
MAX OPERATE VOLTAGE	32 VDC
MAX PICKUP VOLTAGE	18 VDC MAX
DROP OUT VOLTAGE	9 VDC MAX
COIL CURRENT	
INRUSH	6 AMP MAX AT 28 VDC FOR APPROX. 100 mS
HOLD	400 mA MAX AT 28 VDC
PICKUP TIME	25 mS AT 28 VDC 25°C
DROP OUT TIME	15 mS AT 28 VDC 25°C
SUPPRESSION	±42 VOLTS
ENVIRONMENTAL DATA	
GROUND SURVIVABILITY	
TEMPERATURE	-55 TO 85°C
NOMINAL OPERATE TEMP	-55 TO +70°C
ALTITUDE	55,000 FT
DECOMPRESSION	55,000 FT
LIFE ELECTRICAL	50,000 CYCLE MIN.
LIFE MECHANICAL	100,000 CYLCES MIN.
WEIGHT MAX	.78 LBS



- NOTES:
- INSTALLATION TORQUE 1/4-28 UNF-2A - 56 IN-LBS
 - INSTALLATION TORQUE 4-40 UNC-2A - 4 IN-LBS
 - STATIONARY BUS BARS ARE SILVER PLATED, ASTM B700, TYPE II, GRADE D SEMI BRIGHT CLASS N
 - LEAD LENGTH: FROM CENTER OF GROMMET TO FACE OF CONNECTOR TO BE 7.00" ±0.50
 - CONNECTOR FINISH TO BE ZINC PLATE, YELLOW CHROMATE
 - WHEN ATTACHING HALL EFFECT SENSOR TO CONTACTOR ONE ITEMS 4 & 6 NEED TO BE REMOVED AND HECS ATTACHED WITH THE FOLLOWING:
 QTY 2 PCS MS51957-20 SCREWS
 QTY 2 PCS MS15795-803B FLAT WASHERS
 QTY 2 PCS MS35338-135 LOCK WASHERS

FIND NO	QTY	RECD	PART OR IDENTIFYING NO	NOMENCLATURE OR DESCRIPTION	DRAWING OR SPECIFICATION	FSCN NO	TE PART NO	MATERIAL OR NOTE
7	2		51807-430	WASHER, BELLEVILLE 1/4			6-1616949-6	
6	2		51703-100	WASHER 17/64 ID X 9/16 OD			4-1616945-7	
5	1		47619-160	PRIMARY ASSEMBLY			9-1616986-7	
4	2		47362-001	SOCKET CAP TERMINAL SCREW			7-1616922-4	
3	1		44900-022	SCHEMATIC DIAGRAM			8-1616986-9	
2	1		44899-042	NAME PLATE			1-1616987-2	
1	2		211883-5	SCREW-LOCK ASSEMBLY, MALE, KIT			211883-5	

DIMENSIONS: INCHES [mm]
TOLERANCES UNLESS OTHERWISE SPECIFIED

2 PL DEC. 3 PL DEC. ANGLES
± .06 ± .010 ± 1°

DR BY RSS 11-11-30
CHK BY *MDM 15-05-01*
ENGR RSS 11-11-30
MFG *MDM 15-04-30*

SIZE B CODE IDENT 74063

SCALE NONE SHEET 1 OF 1

STE
Harman Division 175 N. DIAMOND STREET MANSFIELD, OHIO 44902

CONTACTOR SPST N.O. DB
400 AMP, 28 VDC

DWG NO. K4001B8C4

REF TE PN 9-1616986-6