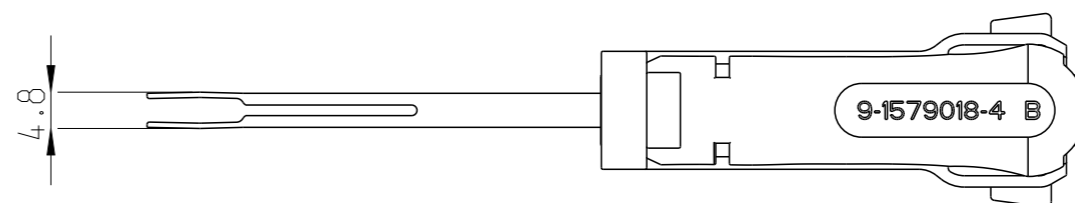
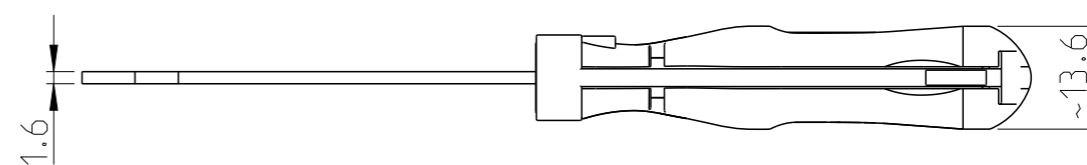
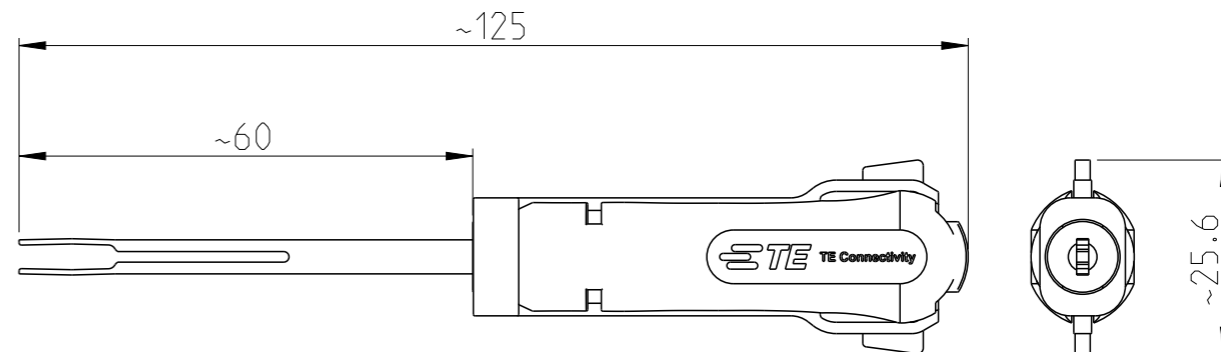
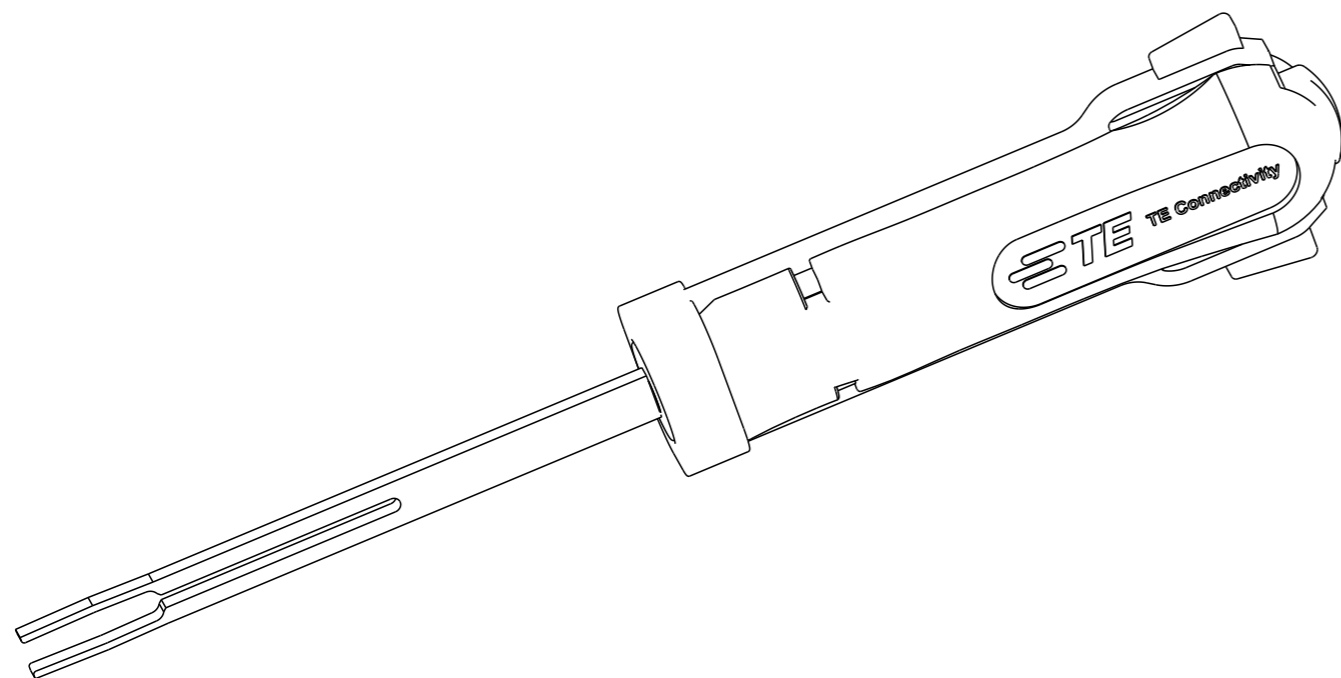


REVISIONS

P	LTR	DESCRIPTION	DATE	DWN	APVD
	B1	ECR-18-004175	20MAR2018	MG	BM
	B2	ECR-20-008954	09JUL2020	PNT	GS

3:2



APPLICATION RANGE / Anwendungsbereich

Housing: 1801626
 JPT-Contact: 964280-2, 964284-2,
 965999-2, 1241978-2

THIS DRAWING IS A CONTROLLED DOCUMENT.		DWN L. SANDHU 26AUG2011			
DIMENSIONS: mm		CHK G. STEGMAYER 26AUG2011			
TOLERANCES UNLESS OTHERWISE SPECIFIED:		APVD G. STEGMAYER 26AUG2011	NAME EXTRACTION TOOL Entriegelungswerkzeug		
		PRODUCT SPEC -	RESTRICTED TO -		
MATERIAL		APPLICATION SPEC -	SIZE A3	CAGE CODE 00779	DRAWING NO 9-1579018-4
FINISH		WEIGHT 0.014Kg	SCALE 1:1	SHEET 1 OF 1	REV B2
CUSTOMER DRAWING					