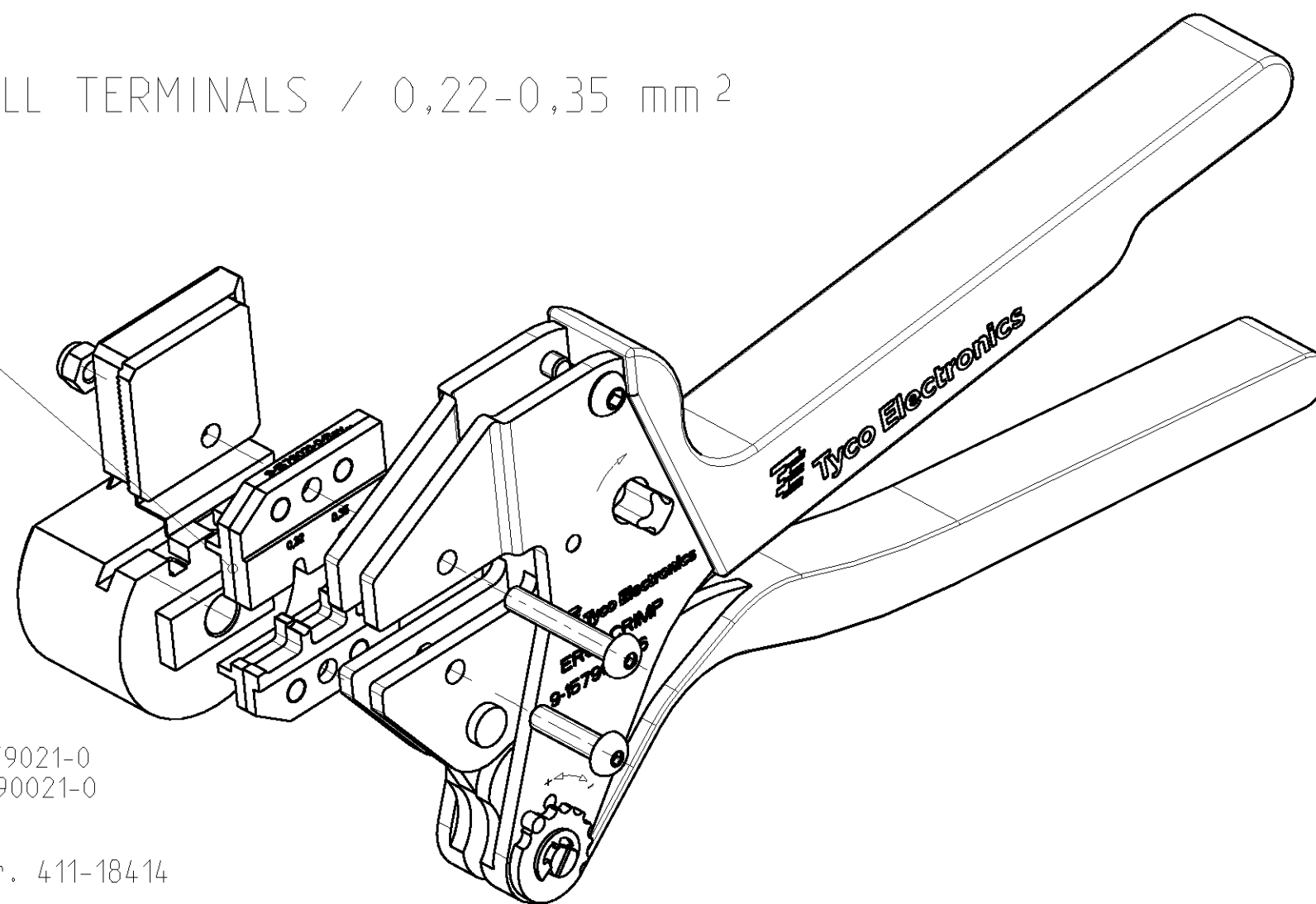


THIS DRAWING IS UNPUBLISHED. RELEASED FOR PUBLICATION 2008
 © COPYRIGHT 2008 BY TYCO ELECTRONICS CORPORATION. ALL RIGHTS RESERVED.

LOC	DIST	REVISIONS			
P	LTR	DESCRIPTION	DATE	DWN	APVD
AI	-				

ERGOCRIMP DIE SET FOR MCON 2.8LL TERMINALS / 0,22-0,35 mm²

Ergocrimp Matrize als Ersatzteil erhaeltlich
 TE P/N 9-1579021-0
 Ergocrimp die set as spare part available
 TE P/N 9-1579021-0



Einzelzeile der Ergocrimp Matrize bestellbar. Siehe Zeichnung TE P/N 9-1579021-0
 Spare parts of the Ergocrimp die set available. See drawing TE P/N 9-15790021-0

Handzange mit Matrize zusammengebaut und mit Bedienungsanleitung-Nr. 411-18414
 im Karton verpackt
 Hand tool assembled with die set and packed with instruction sheet No. 411-18414
 in a cardboard

Kontakt Contact	DGB (mm ²) Wire Range	Drahtcrimp / Wire Crimp		Isolationscrimp/Insulationcrimp		Isol.∅ Ins.Range	Betriebsanl. Instr.Sheet
		Hoehe/Height mm	Breite/Width mm	Hoehe/Height mm	Breite/Width mm		
1719837	0.22	1.00 ±0.03	1.57 F	1.60 ±0.1	2.29 0	1.15-1.40	411-18414
	0.35	1.07 ±0.03		1.80 ±0.1			

<small>THIS DRAWING IS A CONTROLLED DOCUMENT FOR TYCO ELECTRONICS CORPORATION IT IS SUBJECT TO CHANGE AND THE CONTROLLING ENGINEERING ORGANIZATION SHOULD BE CONTACTED FOR THE LATEST REVISION.</small>		DWN Ch.Witt	18FEB2008	Tyco Electronics AMP GmbH 64625 Bensheim (Germany)	
DIMENSIONS: mm 		CHK -	-	NAME ERGOCRIMP HAND TOOL FOR MCON 2.8LL / 0.22-0.35 mm ²	
TOLERANCES UNLESS OTHERWISE SPECIFIED: 0 PLC ± 1 PLC ± 2 PLC ± 3 PLC ± 4 PLC ± ANGLES ±1°		APVD -	-	RESTRICTED TO -	
MATERIAL -		FINISH -	PRODUCT SPEC -	APPLICATION SPEC -	WEIGHT 750 g
CUSTOMER DRAWING			SIZE A3	CAGE CODE 00779	DRAWING NO C-9-1579004-6
			SCALE 1:1	SHEET 1	OF 1
			REV A		