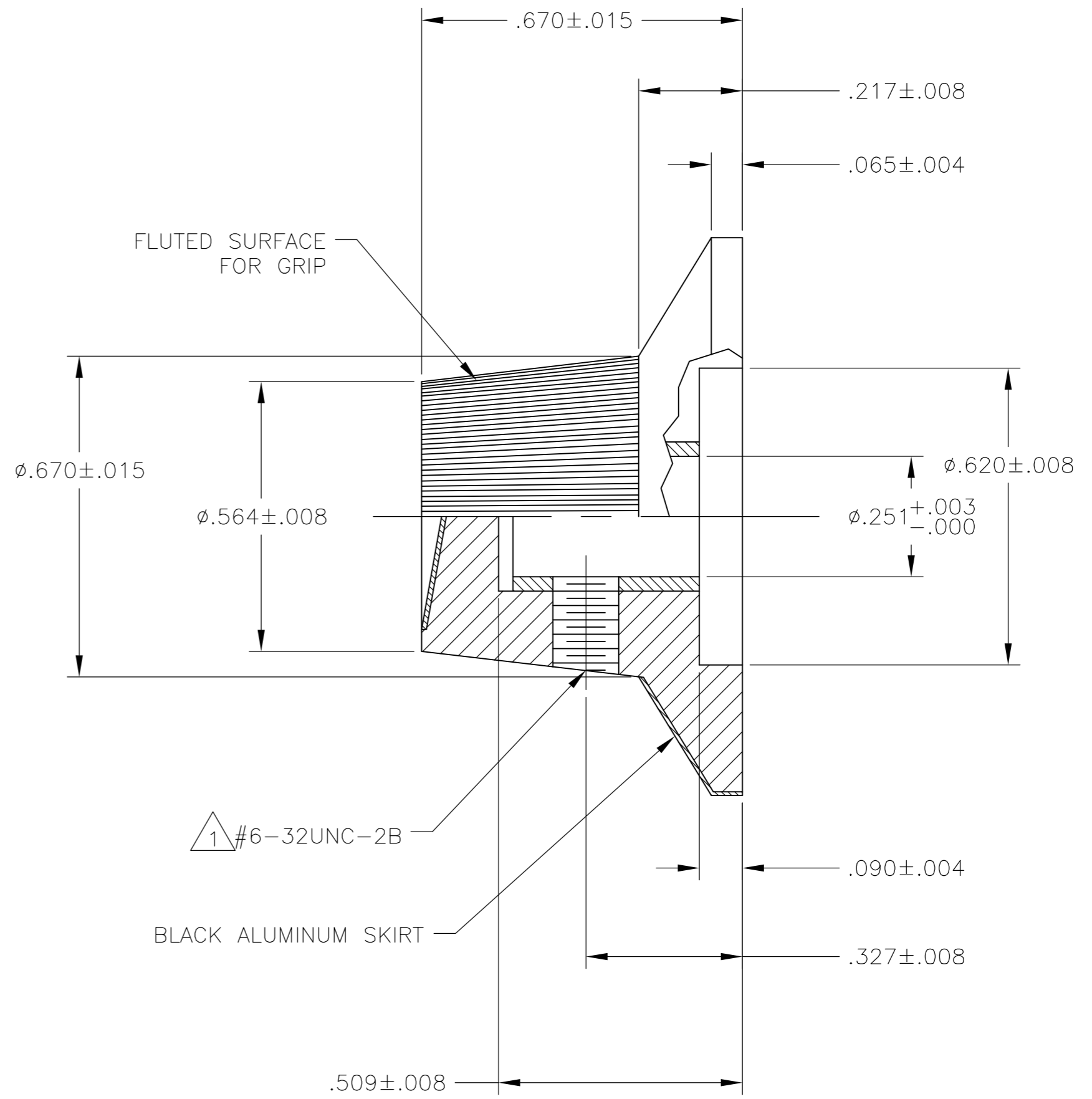
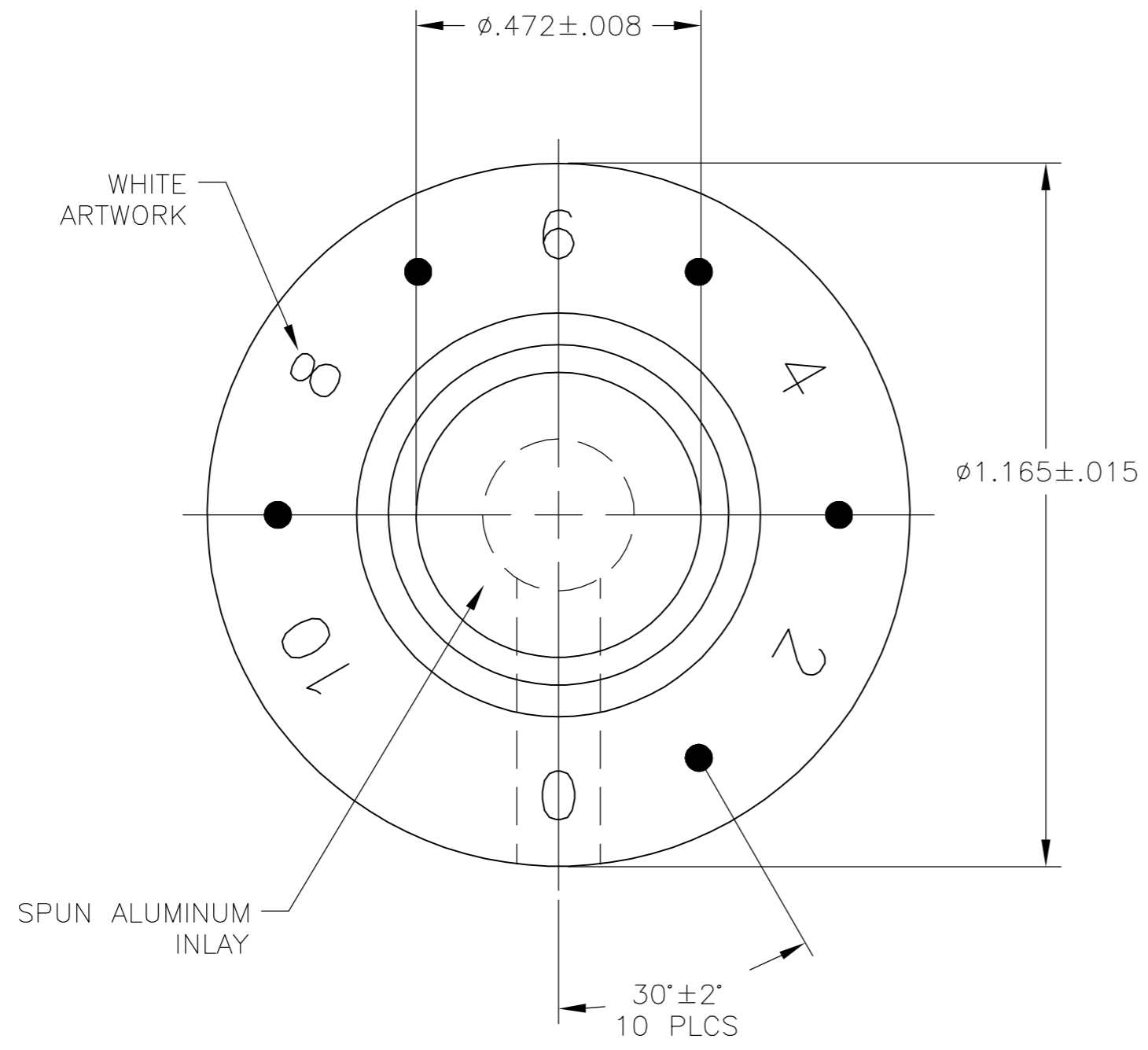


THIS DRAWING IS UNPUBLISHED. RELEASED FOR PUBLICATION
 © COPYRIGHT BY TYCO ELECTRONICS CORPORATION. ALL RIGHTS RESERVED.

LOC		DIST		REVISIONS			
P	LTR	DESCRIPTION	DATE	DWN	APVD		
AD	00	A	ECO-05-2843	01MAR06	MB	MZ	



1 SUPPLIED WITH ONE STEEL HEXT SOCKET SCREW CUP POINT #6-32UNC-2A X .188 LONG.

9-1437624-4
PART NUMBER

THIS DRAWING IS A CONTROLLED DOCUMENT.		DWN	M.BINNER	01MAR2006	 Tyco Electronics Corporation Harrisburg, PA 17105-3608																								
DIMENSIONS: INCHES		CHK	M.ZITTO	01MAR2006																									
TOLERANCES UNLESS OTHERWISE SPECIFIED:		APVD	M.ZITTO	01MAR2006																									
<table border="1"> <tr><td>0 PLC</td><td>±</td><td>-</td></tr> <tr><td>1 PLC</td><td>±</td><td>-</td></tr> <tr><td>2 PLC</td><td>±</td><td>-</td></tr> <tr><td>3 PLC</td><td>±</td><td>-</td></tr> <tr><td>4 PLC</td><td>±</td><td>-</td></tr> <tr><td>ANGLES</td><td>±</td><td>-</td></tr> <tr><td>FINISH</td><td>-</td><td>-</td></tr> </table>		0 PLC	±	-		1 PLC	±	-	2 PLC	±	-	3 PLC	±	-	4 PLC	±	-	ANGLES	±	-	FINISH	-	-	NAME	M.ZITTO		PRODUCT SPEC	NAME	M.ZITTO
0 PLC	±	-																											
1 PLC	±	-																											
2 PLC	±	-																											
3 PLC	±	-																											
4 PLC	±	-																											
ANGLES	±	-																											
FINISH	-	-																											
MATERIAL: PHENOLIC, BLACK		APPLICATION SPEC	-		SIZE	A2	CAGE CODE	00779	DRAWING NO	9-1437624-4		RESTRICTED TO	-																
		WEIGHT	-		SCALE	4:1		SHEET	1 of 1		REV	A																	
		CUSTOMER DRAWING																											

9-1437624-4