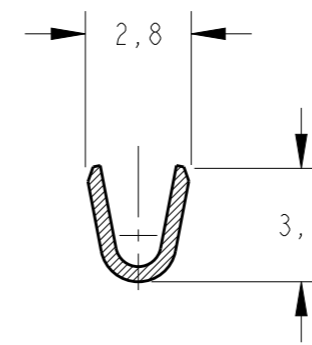
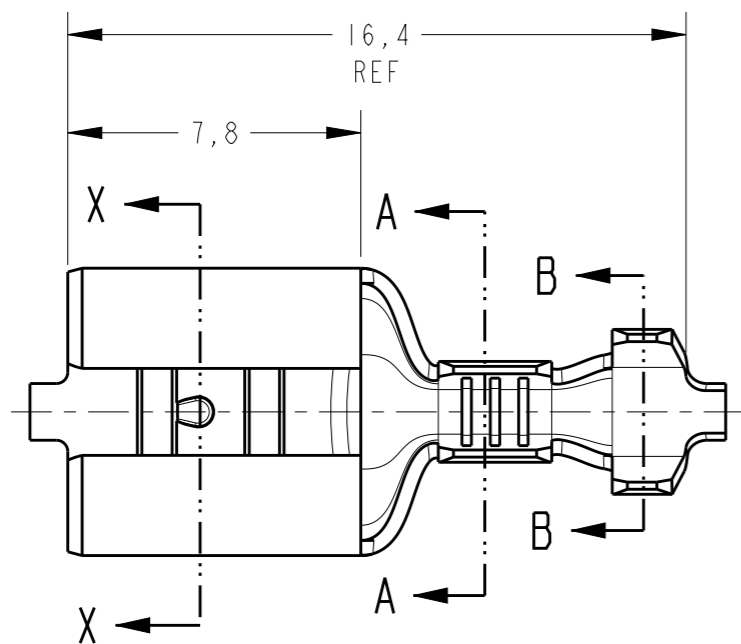


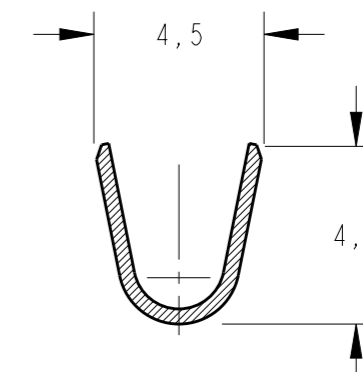
LOC	DIST
AP	-

REVISIONS

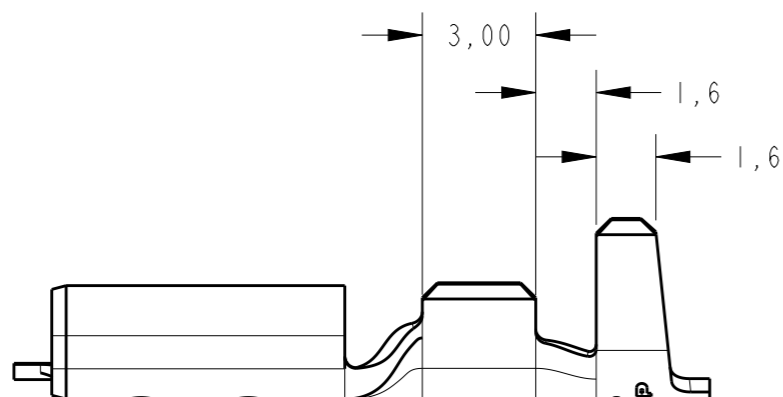
P	LTR	DESCRIPTION	DATE	DWN	APVD
A3		REDRAW BY CAD ECO-12-014149	21AUG2012	NCL	DAO
A4		REVISED BY ECO 16-003723	29JUN2016	HC	WLS
A5		REVISED BY ECO 17-018083	08DEC2017	HC	WLS



SECTION A-A
SCALE 5:1

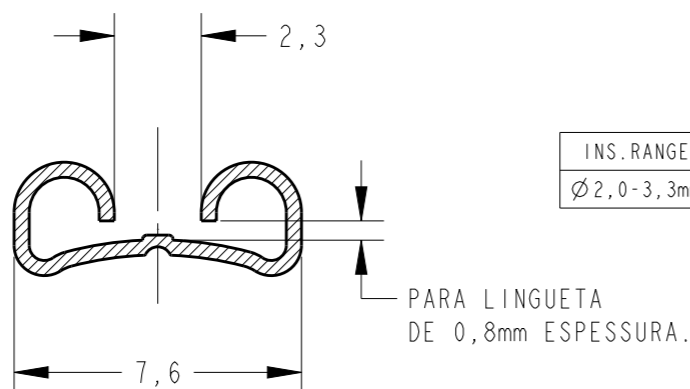
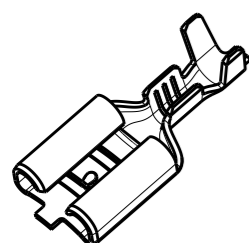


SECTION B-B
SCALE 5:1



△ - 1-880683-2 ITEM MANUFACTURED ONLY IN ARGENTINA

INS. RANGE	WIRE RANGE	LOOSE PIECE PN	FINISH	MATERIAL	PART NUMBER
Ø 2,0-3,3mm	0,5-1,0mm ²	—	PRATEADO/SILVER PLATED	BRONZE FOSF./PHOS.BRONZE	880683 - 6
—	—	—	PRATEADO/SILVER PLATED	LATÃO / BRASS	880683 - 5
—	—	—	ESTANHADO / TIN PLATED	BRONZE FOSF./PHOS.BRONZE	880683 - 4
—	—	—	—	BRONZE FOSF./PHOS.BRONZE	880683 - 3
—	—	1-880683-2 △	ESTANHADO / TIN PLATED	LATÃO / BRASS	880683 - 2
—	—	—	—	LATÃO / BRASS	880683 - 1



SECTION X-X
SCALE 5:1

PERSPECTIVE VIEW
SCALE 2:1

THIS DRAWING IS A CONTROLLED DOCUMENT.

DIMENSIONS: mm	TOLERANCES UNLESS OTHERWISE SPECIFIED:
	0 PLC ±0,3
	1 PLC ±0,3
	2 PLC ±
	3 PLC ±
	4 PLC ±
	ANGLES ±1°
MATERIAL SEE TABLE	FINISH SEE TABLE

DWN	11 JUL 2012
NCLAPRESA	
CHK	11 JUL 2012
JRGOLDSCHMIDT	
APVD	11 JUL 2012
DAOLIVEIRA	
PRODUCT SPEC	-
APPLICATION SPEC	-
WEIGHT	-



NAME			
- TERMINAL FASTON .250 RECEPT			
SIZE	CAGE CODE	DRAWING NO	RESTRICTED TO
A3	00779	C-880683	-