

4

3

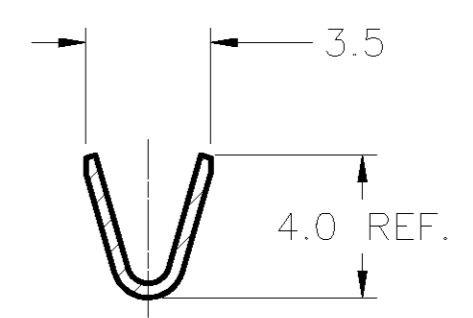
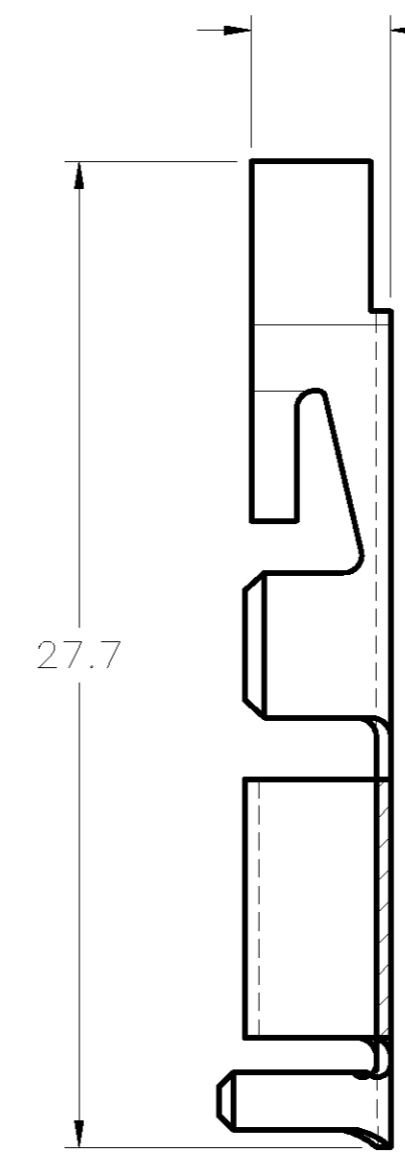
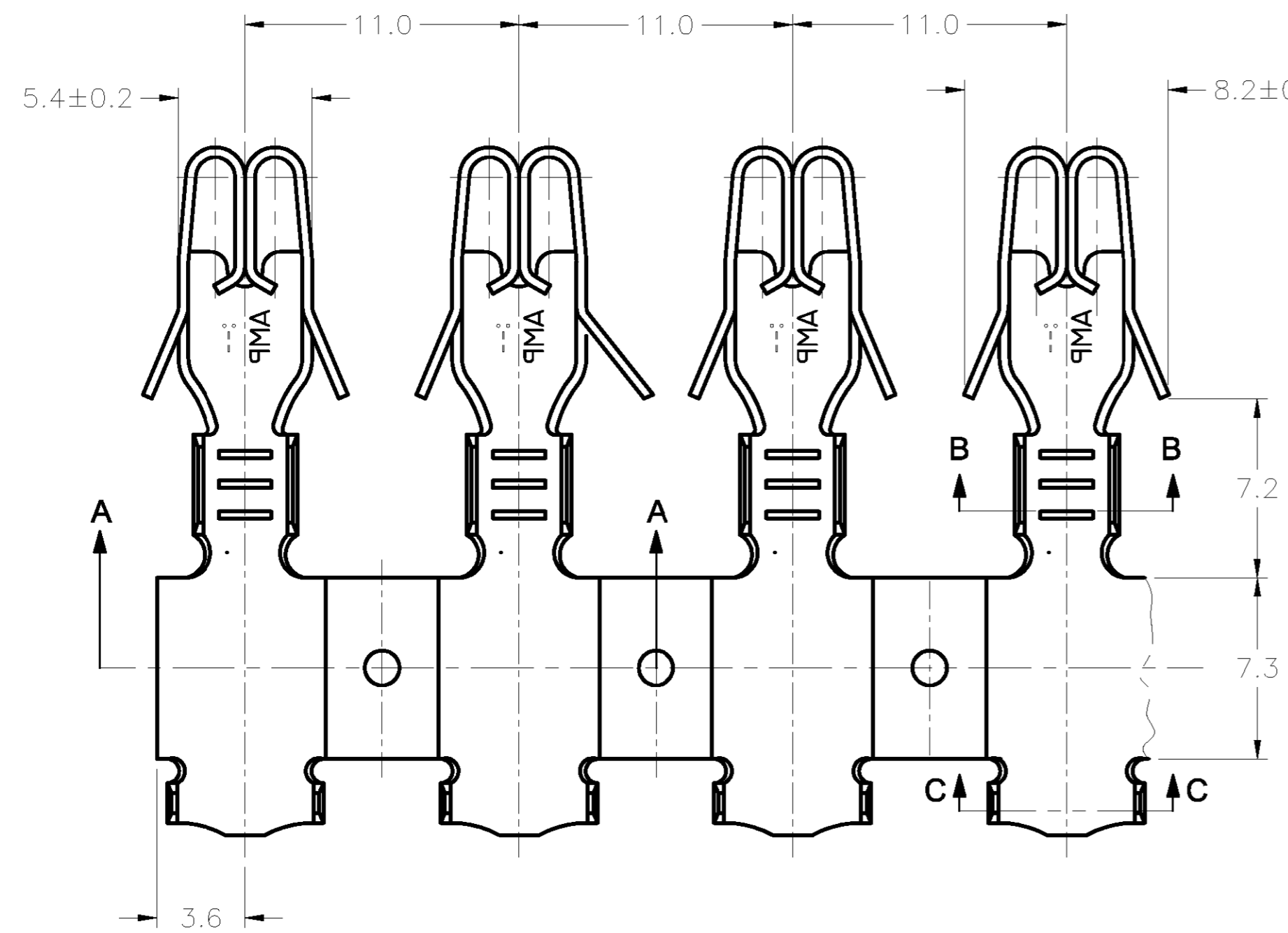
2

1

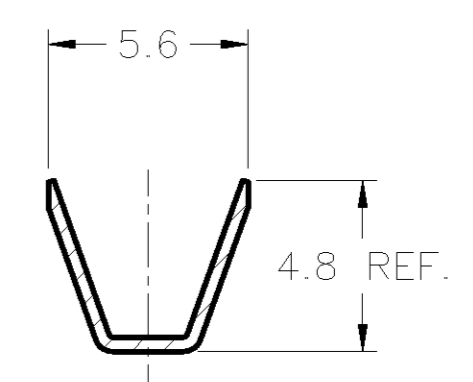
THIS DRAWING IS UNPUBLISHED. RELEASED FOR PUBLICATION .19  
 © COPYRIGHT 19 BY AMP INCORPORATED. ALL RIGHTS RESERVED.

CAD  
 DO NOT REVISE EXCEPT BY CAD

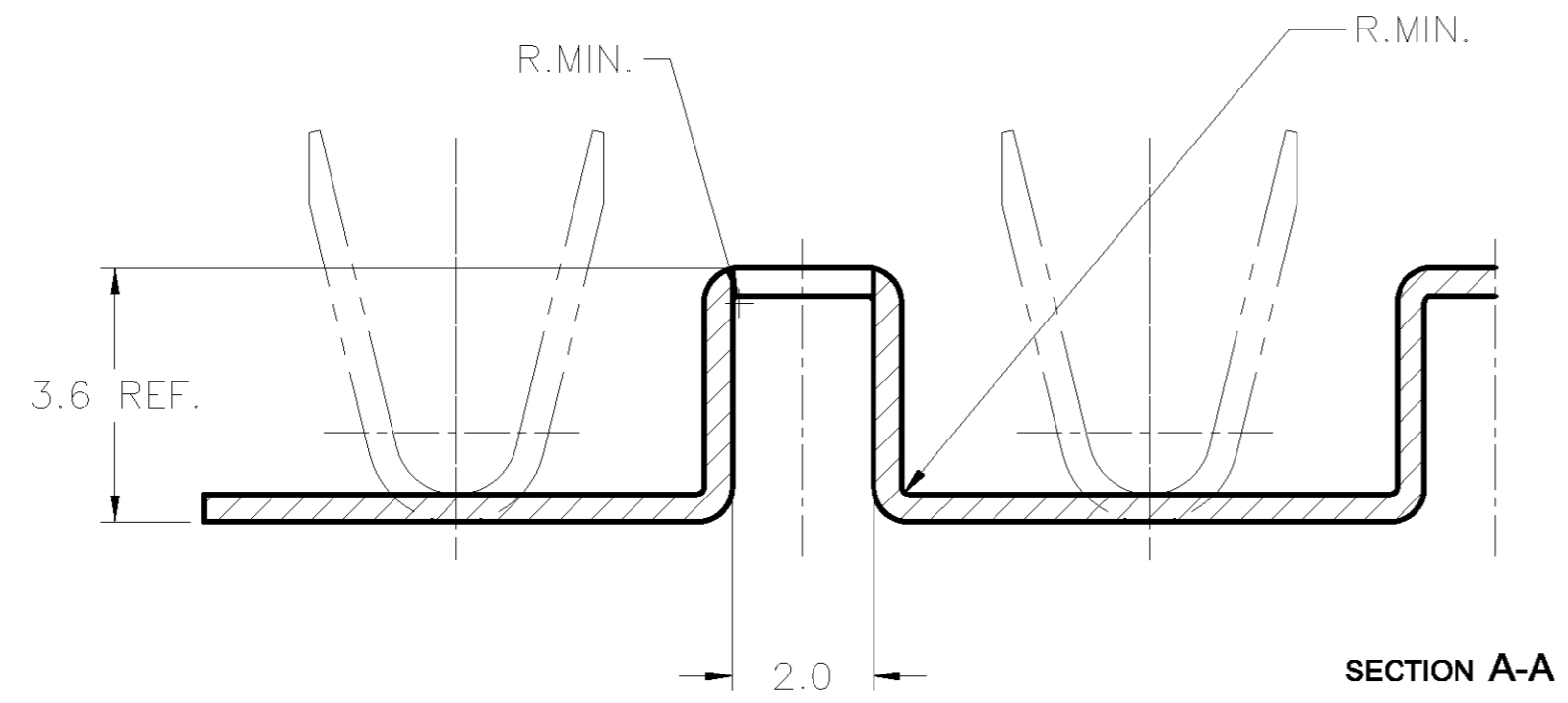
LOC		DIST		REVISIONS		
P	LTR	DESCRIPTION	DATE	DWN	APVD	
E		REDRAWN BY ECLB00-0475/99	02JUL01	FSM	PLF	
F		REVISED BY ECLB00-0274/01	02JUL01	HL	PLF	



SECTION B-B



SECTION C-C



SECTION A-A

- ⚠ - A QUANTIDADE DE CONTATOS NO BUS-BAR É DEFINIDA PELA NECESSIDADE DO CLIENTE E CORTADA DE ACORDO COM O APLICADOR ESPEDIFICO.  
THE BUS-BAR CONTACTS NUMBER IS DEFINED BY CUSTOMER'S NEEDS AND CUT ACCORDINGLY TO THE SPECIFIC APPLICATOR
- ⚠ - ESTES PART NUMBERS SÃO APENAS PARA REFERÊNCIA DO USUÁRIO  
THESE PN'S ARE FOR USER'S REFERENCE ONLY
- ⚠ - OS TERMINAIS SÃO FORNECIDOS EM FORMA DE FITA CONTÍNUA SOMENTE  
THE CONTACTS ARE SUPPLIED IN CONTINUOUS STRIP FORM ONLY

⚠	40,12±0,08	4	PRE-ESTANHADO/PRE-TINNED	LATÃO/BRASS	880547-8	
	29,12±0,08	3	PRE-ESTANHADO/PRE-TINNED	LATÃO/BRASS	880547-7	
	18,12±0,08	2	PRE-ESTANHADO/PRE-TINNED	LATÃO/BRASS	880547-6	
	40,12±0,08	4	-/-	LATÃO/BRASS	880547-5	
	29,12±0,08	3	-/-	LATÃO/BRASS	880547-4	
	18,12±0,08	2	-/-	LATÃO/BRASS	880547-3	
⚠	-	-	PRE-ESTANHADO/PRE-TINNED	LATÃO/BRASS	880547-2	
	-	-	-/-	LATÃO/BRASS	880547-1	
NOTES	APPLICATOR FEED	QTY TERM.	⚠	FINISH	MATERIAL	PART NUMBER

THIS DRAWING IS A CONTROLLED DOCUMENT.

DWN F.S.MARTINS	03NOV99	<b>AMP</b> AMP do BRASIL Ltda. São Paulo - Brasil
CHK P.L.FARIA		
APVD F.ALEXANDRONI		NAME
PRODUCT SPEC NA		FUSE CONTACT (BUS-BAR)
APPLICATION SPEC NA		SIZE
WEIGHT		CAGE CODE
		DRAWING NO
		RESTRICTED TO
		A2 00779 C-880547
		CUSTOMER DRAWING
		SCALE 5:1
		SHEET 1 OF 1
		REV F

WIRE RANGE	1,0 - 2,5mm <sup>2</sup>
INSUL. RANGE	3,0 - 4,3mm

MATERIAL	SEE TABLE
FINISH	SEE TABLE

880547

A