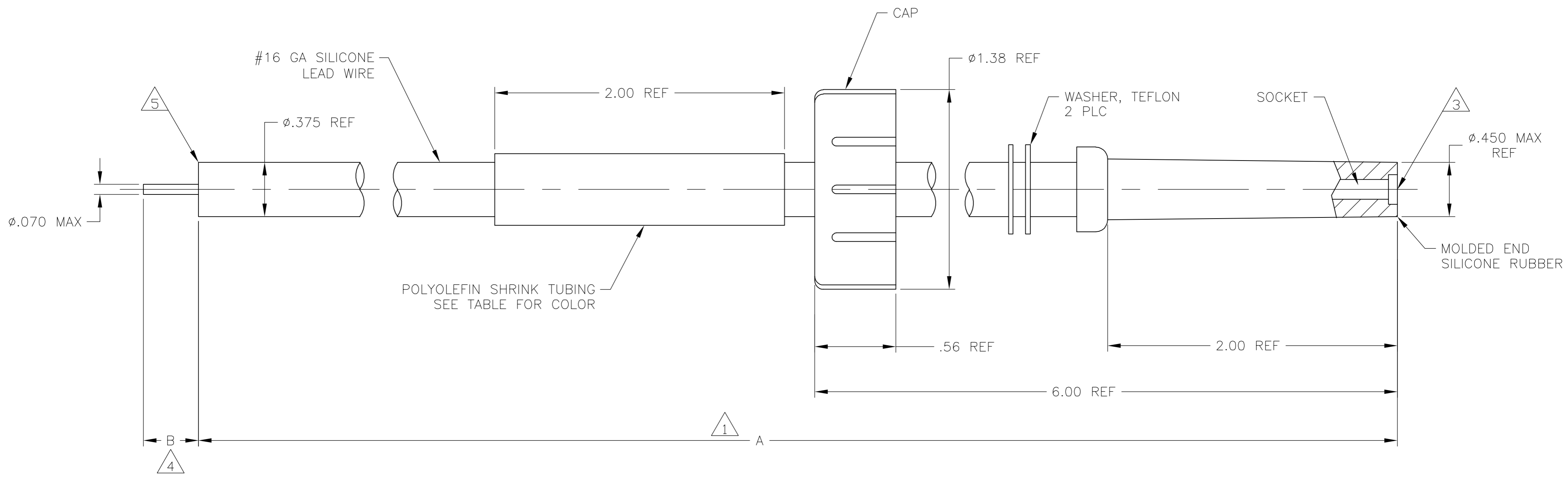


THIS DRAWING IS UNPUBLISHED. RELEASED FOR PUBLICATION - .N/A .  
 © COPYRIGHT N/A BY TYCO ELECTRONICS CORPORATION. ALL RIGHTS RESERVED.

LOC	DIST	REVISIONS					
DF	S0	P	LTR	DESCRIPTION	DATE	DWN	APVD
		G		REV PER ECO-05-002828	08-05	AA	DE

PART NO.	A	B	TUBING COLOR	REMARKS
863548-1	24.00	.375	YELLOW	△4 OBSOLETE
863548-2	24.00	.375	RED	△4 OBSOLETE
863548-3	28.00	.375	YELLOW	△4 OBSOLETE
863548-4	28.00	.375	RED	△4 OBSOLETE
863548-5	28.00	.375	BROWN	△4 OBSOLETE
863548-6	28.00	.375	GREEN	△4 OBSOLETE
863548-7	72.00	.375	RED	△4
863548-8	36.00	.375	YELLOW	△4
863548-9	36.00	.375	GREEN	△4
1-863548-0	36.00	.375	BROWN	△4
5-863548-7	72.00	.375	RED	△5

- △1 TOLERANCE OF LEAD LENGTH:  
UP TO 24 INCHES = ±.12  
24 INCHES & UP = ±1%
- 2. COLOR OF LEAD WIRE WHITE UNLESS OTHERWISE SPECIFIED.
- △3 TO MATE WITH AMP LGH-4 RCPT WITH 2.00 BARREL DEPTH.
- △4 PIGTAIL IS SOLDER DIPPED.
- △5 INSULATION CUT, BUT NOT REMOVED.



THIS DRAWING IS A CONTROLLED DOCUMENT.		DWN DICK STONE 04-APR-77	Tyco Electronics Corporation Harrisburg, Pa 17105-3608	
DIMENSIONS: INCHES		CHK D.EABY 04-APR-77		
TOLERANCES UNLESS OTHERWISE SPECIFIED:		APVD D.EABY 04-APR-77	NAME LEAD ASSY SINGLE MOLDED END LGH-4	
0 PLC ± - 1 PLC ± - 2 PLC ± - 3 PLC ± - 4 PLC ± - ANGLES ± - FINISH -		PRODUCT SPEC -	SIZE A2	CAGE CODE 00779
MATERIAL -		APPLICATION SPEC -	DRAWING NO C=863548	RESTRICTED TO -
		WEIGHT -	SCALE 2:1	SHEET 1 OF 1
		CUSTOMER DRAWING	REV G	