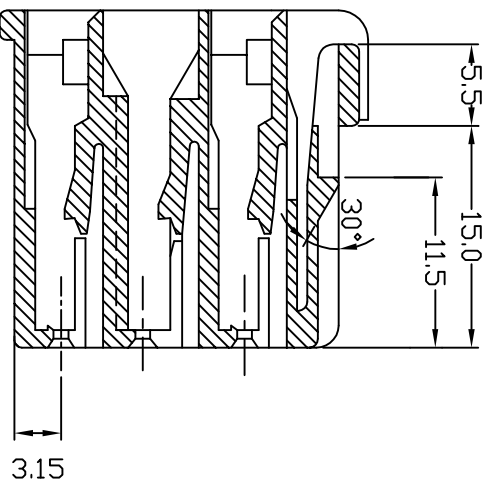
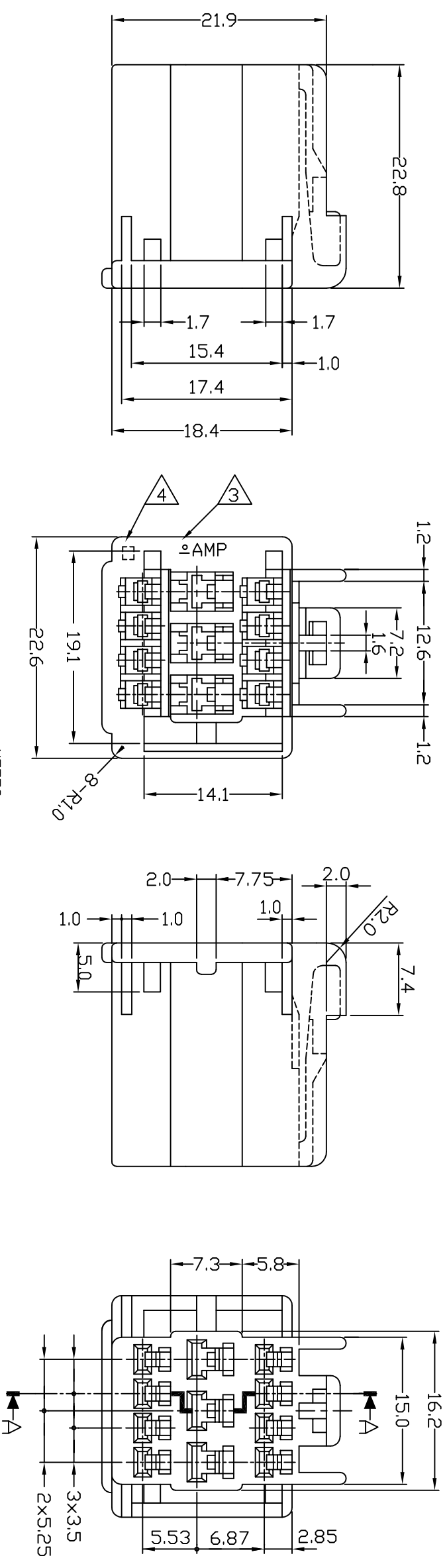
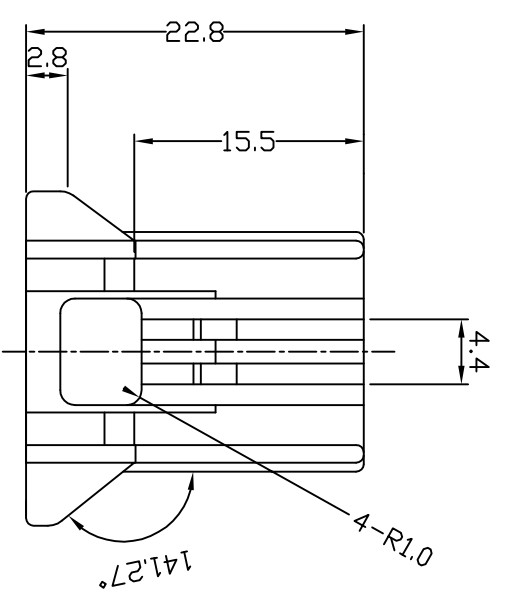


LDC	DIST	REVISIONS		DATE	DWN	APVD
DS	-	P	DESCRIPTION	DATE	DWN	APVD
		F	REVISED (KECR-07-028249)	28 NOV./07	YS	JK
		F1	REVISED (KECR-16-005530)	15 APR./16	SJ	JW



NOTES:

1. APPLICABLE HOUSING P/N: 85216
2. APPLICABLE CONTACT P/N: 172773 / 172775 / 173630 / 173631
3. TRADE MARK
4. CAVITY MARK
5. APPLICABLE DBL P/N: 85217

P/N	DESCRIPTION	MATERIAL
85218-3	070/110 11P PLUG HSGID. (T. B.)	PBT GRAY
85218-2	070/110 11P PLUG HSGID. (T. B.)	PBT BLACK
85218-1	070/110 11P PLUG HSGID. (T. B.)	PBT NATURAL

THIS DRAWING IS A CONTROLLED DOCUMENT FOR TYCO ELECTRONICS CORPORATION. IT IS SUBJECT TO THE TERMS AND CONDITIONS OF THE LATEST REVISION. ANY CHANGES SHOULD BE CONTACTED FOR THE LATEST REVISION.

DIMENSIONS: mm

TOLERANCES UNLESS OTHERWISE SPECIFIED:
0 <XXX<10 ± 0.2
10<XXX<30 ± 0.25
30<XXX ANGLES ± 0.3°



TE Connectivity

PLUG HOUSING FOR DOOR TO BODY

DWN	SJ CHOI	NAME	PLUG HOUSING FOR DOOR TO BODY		
CHK	SJ CHOI	SIZE	CAGE CODE	DRAWING NO	RESTRICTED TO
APVD	JW JUNG	WEIGHT	A300779	85218	-
PRODUCT SPEC	-	APPLICATION SPEC	CUSTOMER DRAWING		
SCALE 2:1 SHEET 1 OF 1 REV F1					