

4

3

2

1

THIS DRAWING IS UNPUBLISHED.

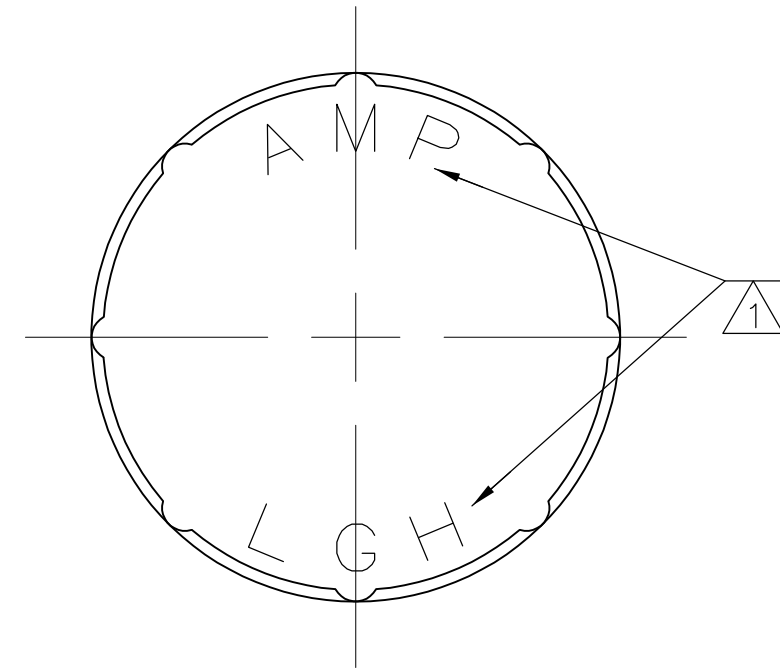
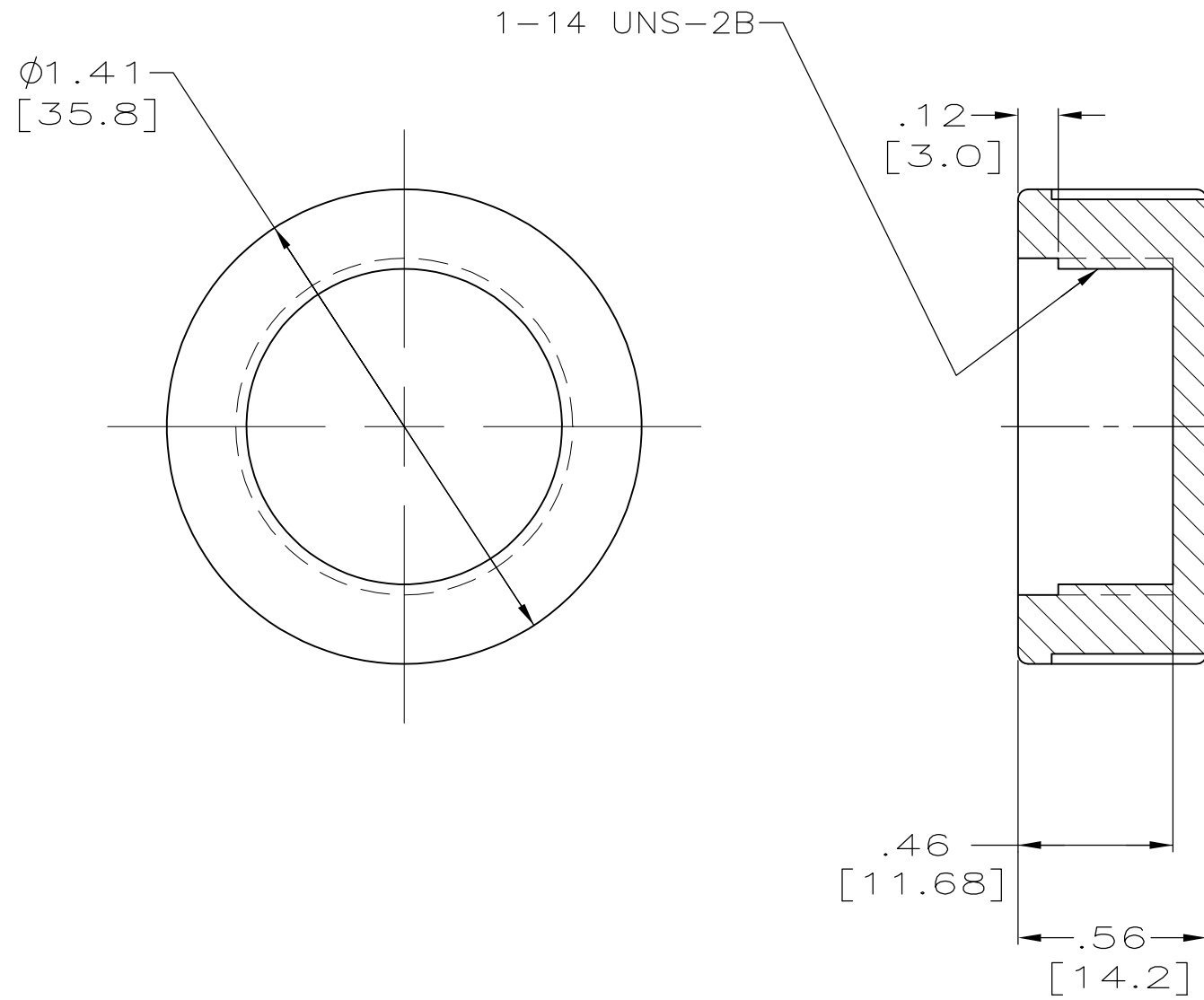
RELEASED FOR PUBLICATION

-. - .

© COPYRIGHT - By -

ALL RIGHTS RESERVED.

LOC	DIST	REVISIONS					
		P	LTR	DESCRIPTION	DATE	DWN	APVD
-	-	D		REV PER ECO 13-006736	7-25-13	CT	DE



RAISED ENGRAVING

850515-1
PART NUMBER

THIS DRAWING IS A CONTROLLED DOCUMENT.		DWN C.C.THOMAS 2-10-90	TE Connectivity NAME CAP, LGH-4, (DUST COVER)														
DIMENSIONS: INCHES [mm]		CHK M.GARDNER 2-10-90															
TOLERANCES UNLESS OTHERWISE SPECIFIED:		APVD M.GARDNER - 2-10-90	RESTRICTED TO														
<table border="0"> <tr><td>0 PLC</td><td>± -</td></tr> <tr><td>1 PLC</td><td>± -</td></tr> <tr><td>2 PLC</td><td>± .02 [0.5]</td></tr> <tr><td>3 PLC</td><td>± .005 [0.13]</td></tr> <tr><td>4 PLC</td><td>± -</td></tr> <tr><td>ANGLES</td><td>± 2°</td></tr> </table>		0 PLC	± -	1 PLC	± -	2 PLC	± .02 [0.5]	3 PLC	± .005 [0.13]	4 PLC	± -	ANGLES	± 2°	PRODUCT SPEC -	SIZE A3	CAGE CODE 00779	DRAWING NO C-850515
0 PLC	± -																
1 PLC	± -																
2 PLC	± .02 [0.5]																
3 PLC	± .005 [0.13]																
4 PLC	± -																
ANGLES	± 2°																
MATERIAL EPOXY MLDG. CMPD.		FINISH -	APPLICATION SPEC -	SCALE 2:1	SHEET 1 OF 1												
CUSTOMER DRAWING			WEIGHT -	REV D													