

4

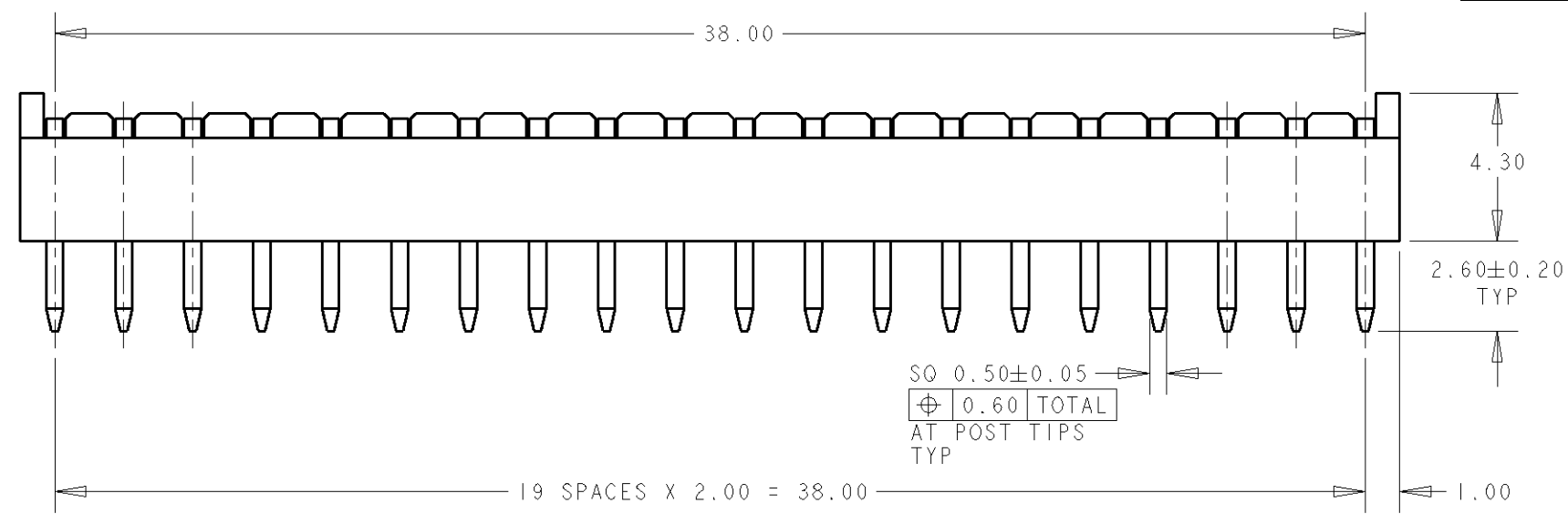
3

2

1

THIS DRAWING IS UNPUBLISHED. RELEASED FOR PUBLICATION .19 .  
 © COPYRIGHT 19 BY AMP INCORPORATED. ALL RIGHTS RESERVED.

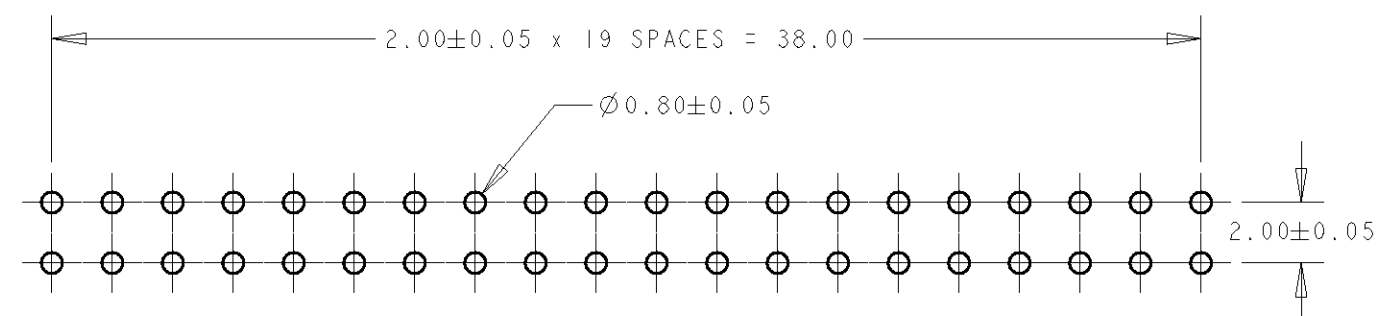
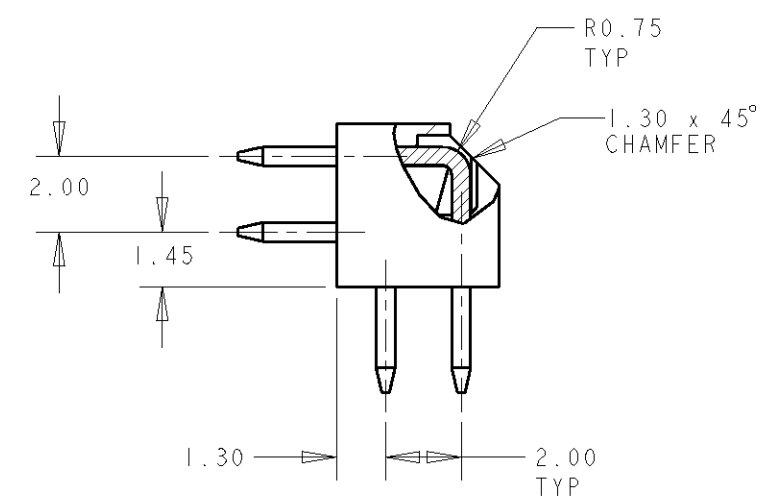
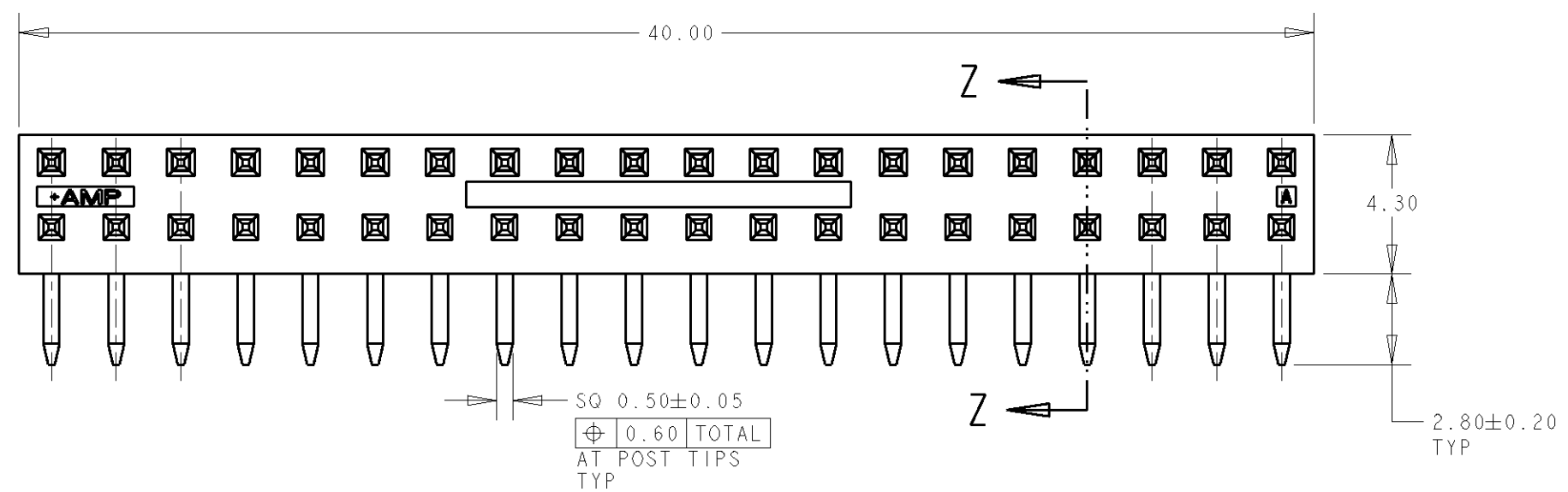
LOC	DIST	REVISIONS			
P	LTR	DESCRIPTION	DATE	DWN	APVD
DY	-				
	A	REVISED FP00-0133-00	10AUG00	LWY	MT
	B	REVISED FP00-0232-00	29NOV00	FTAN	RT
	C	REVISED FP00-0127-03	21JUL03	LWY	TAP



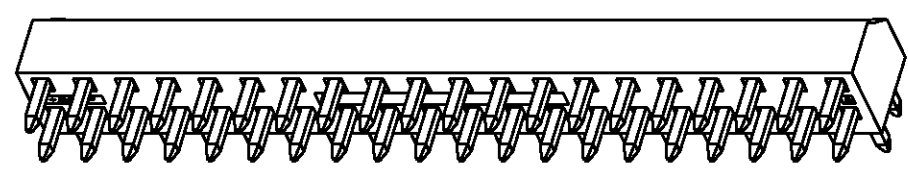
NOTES

1 MATERIAL:  
 HOUSING: THERMOPLASTIC, UL94-0  
 COLOUR: BLACK  
 POST: COPPER ALLOY

2 FINISH:  
 TIN PLATED 2.54 - 4.0um



RECOMMENDED PCB HOLE LAYOUT  
 SCALE 4:1



ISOMETRIC VIEW  
 SCALE 3:1

40	84703-1
POSITIONS	PART NUMBER

THIS DRAWING IS A CONTROLLED DOCUMENT FOR AMP INCORPORATED. IT IS SUBJECT TO CHANGE AND THE CONTROLLING ENGINEERING ORGANIZATION SHOULD BE CONTACTED FOR THE LATEST REVISION.		DWN WYLEE 25APR00	AMP MANUFACTURING SINGAPORE PTE LTD	
DIMENSIONS: mm		CHK M. TRINH		
TOLERANCES UNLESS OTHERWISE SPECIFIED: 0 PLC ±- 1 PLC ±- 2 PLC ±0.25 3 PLC ±- 4 PLC ±- ANGLES ±3°		APVD SF J FONG	PRODUCT SPEC 108-	SIZE A3
MATERIAL		FINISH	APPLICATION SPEC 114-	CAGE CODE 00779
1		2	WEIGHT -	DRAWING NO C-84703
CUSTOMER DRAWING			SCALE 2:1	SHEET 1 OF 1