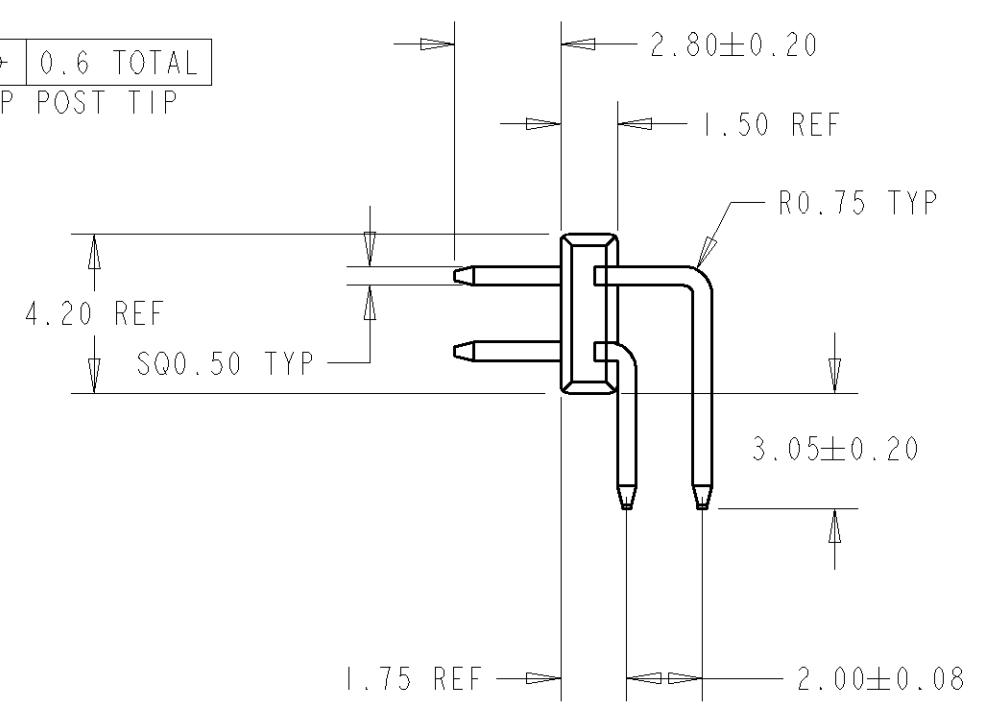
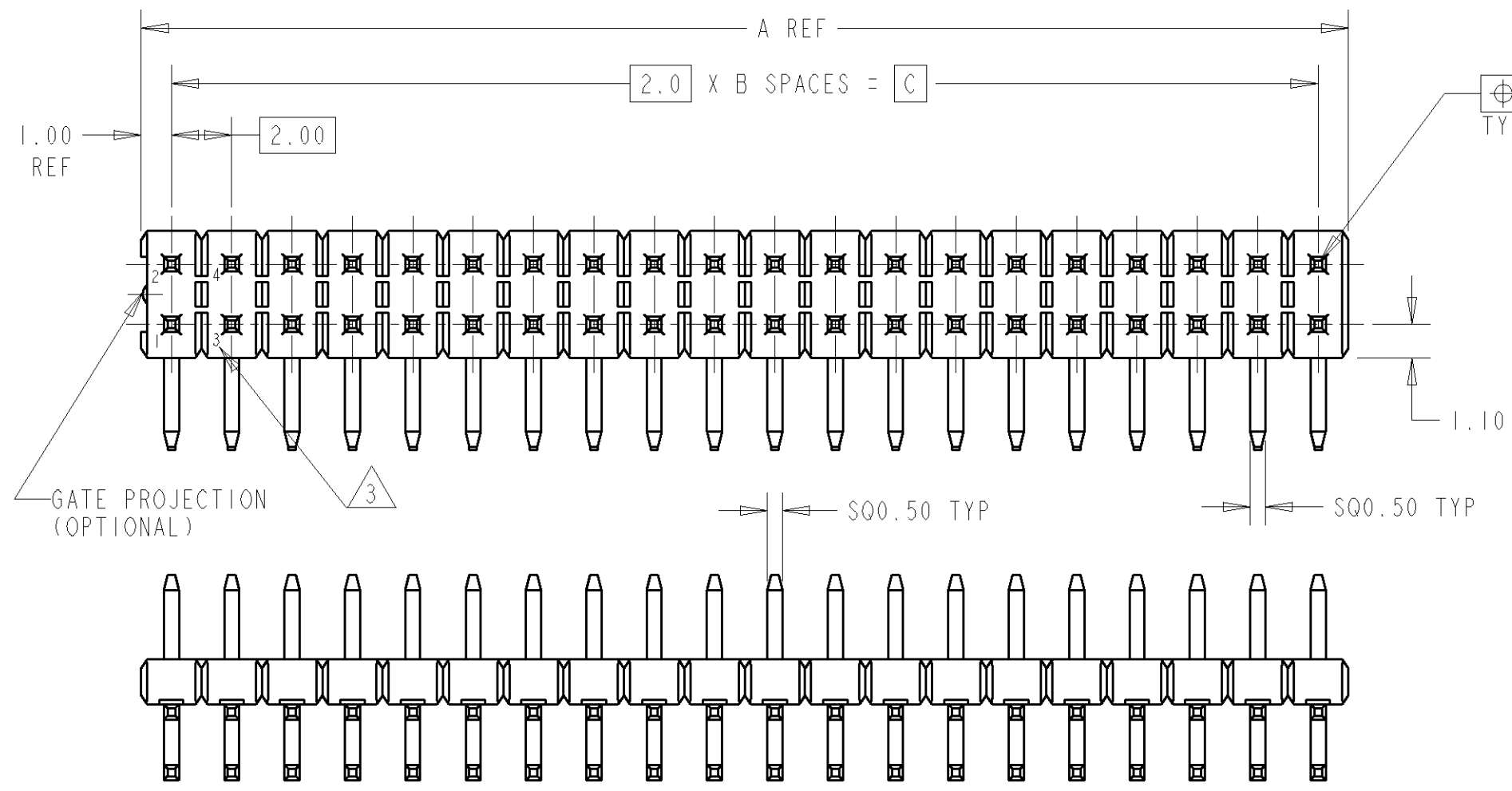
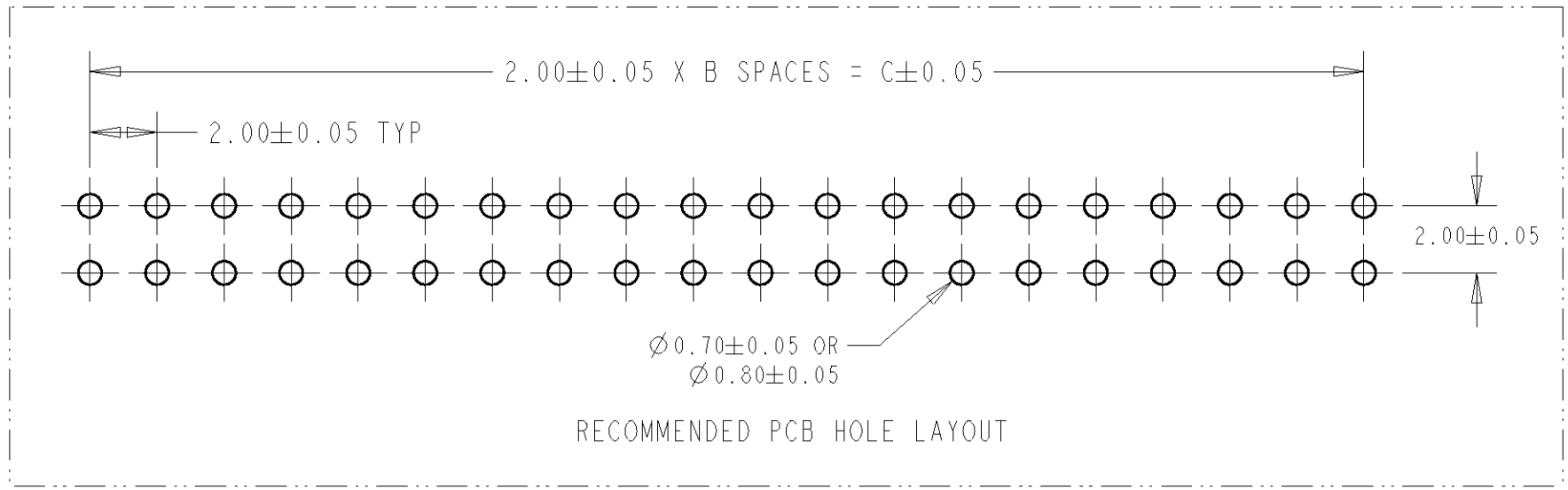


THIS DRAWING IS UNPUBLISHED. RELEASED FOR PUBLICATION .19
 © COPYRIGHT 19 BY AMP INCORPORATED. ALL RIGHTS RESERVED.

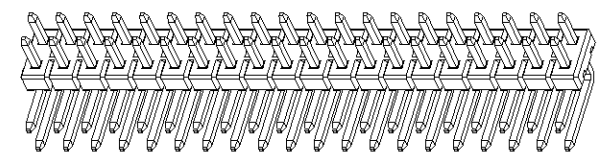
LOC	DIST	REVISIONS			
P	LTR	DESCRIPTION	DATE	DWN	APVD
DY	-	B REVISED FP00-0127-03	21JUL03	LWY	TAP



NOTE:
 1 MATERIAL:
 HOUSING: THERMOPLASTIC, UL94V-0,
 COLOR: BLACK
 POST: COPPER ALLOY
 2 FINISH:
 TIN PLATED 2.5-4.0um
 3 POST POSITION NUMBERS FOR
 REFERENCE ONLY



38.0	19	40.0	40	84662-1
C	B	A	POS.	PART NO.



ISOMETRIC VIEW
 SCALE 2:1

THIS DRAWING IS A CONTROLLED DOCUMENT FOR AMP INCORPORATED. IT IS SUBJECT TO CHANGE AND THE CONTROLLING ENGINEERING ORGANIZATION SHOULD BE CONTACTED FOR THE LATEST REVISION.		DWN WYLEE 10JUN99	AMP MANUFACTURING (SINGAPORE) PTE. LTD.	
DIMENSIONS: mm		CHK MARCUS		
TOLERANCES UNLESS OTHERWISE SPECIFIED:		APVD SF L FONG	NAME 2mm CARRADIO CONNECTOR BLOCK PINHEADER 40 POS	
0 PLC ±-		PRODUCT SPEC 108-	SIZE A3	
1 PLC ±0.30		APPLICATION SPEC 114-	CAGE CODE 00779	DRAWING NO C-84662
2 PLC ±0.25		WEIGHT -	SCALE 5:1 SHEET 1 OF 1 REV B	
3 PLC ±0.20		CUSTOMER DRAWING		
4 PLC ±-				
ANGLES ±3°				
MATERIAL 1	FINISH 2			