

LOC	DIST	REVISIONS					
—	—	P	LTR	DESCRIPTION	DATE	DWN	APVD
		C		CONTACT PIN MATERIAL AND PLATING CHANGE	10JUL2014	KJK	JK

POS. PER ROW	L±0.5	PART NUMBER
2	5.08	829 043 -2
3	7.62	↑ -3
4	10.16	↑ -4
5	12.70	↑ -5
6	15.24	↑ -6
7	17.78	↑ -7
8	20.32	↑ -8
9	22.86	↑ -9
10	25.40	1- -0 OBSOLETE ↘
11	27.94	1- -1
12	30.48	1- -2 OBSOLETE ↘
13	33.02	1- -3 OBSOLETE
14	35.56	1- ↓ -4
15	38.10	1- 829 043 -5

NOTES:

△ MATING SIDE — MIN. 0.7µm PdNi + MIN. 0.1µm GOLD FLASH BY AREA "F" OVER 1.27µm NICKEL.

SOLDER SIDE — MIN. 3.0µm TIN OVER 1.27µm NICKEL

△ OBSOLETE PARTS: OBSOLETE CIS STREAMLINING PER D.RENAUD/D.SINISI

△	CuZn	CONTACT PIN	2
BLACK	PCT	HOUSING	1
FINISH/COLOR	MATERIAL	DESCRIPTION	ITEM NO.

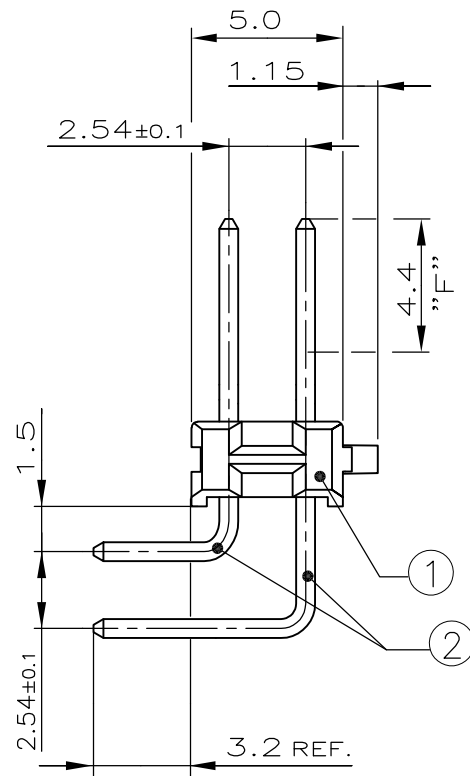
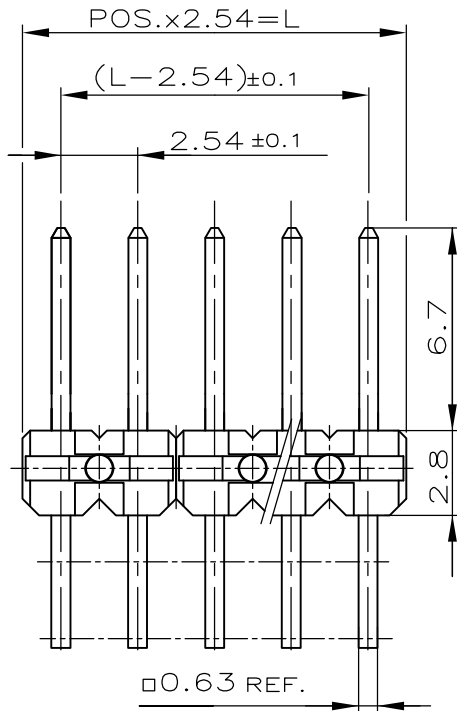
RELEASED FOR PUBLICATION

ALL RIGHTS RESERVED.

By -

© COPYRIGHT -

THIS DRAWING IS UNPUBLISHED.



DIMENSIONS: mm	DWN AUGUSTINIAK 13.07.87	MATERIAL SEE TABLE	FINISH SEE TABLE
	CHK M.SCHAARSCHMIDT 15.07.87		
TOLERANCES UNLESS OTHERWISE SPECIFIED: ±0.2 mm	APVD —		
0 PLC ± -	PRODUCT SPEC 108-18012	SIZE A4	CAGE CODE 00779
1 PLC ± -	APPLICATION SPEC —	DRAWING NO C-829043	RESTRICTED TO —
2 PLC ± -		WEIGHT —	SCALE 4.1
3 PLC ± -	CUSTOMER DRAWING		REV C
4 PLC ± -			
ANGLES ± -			

