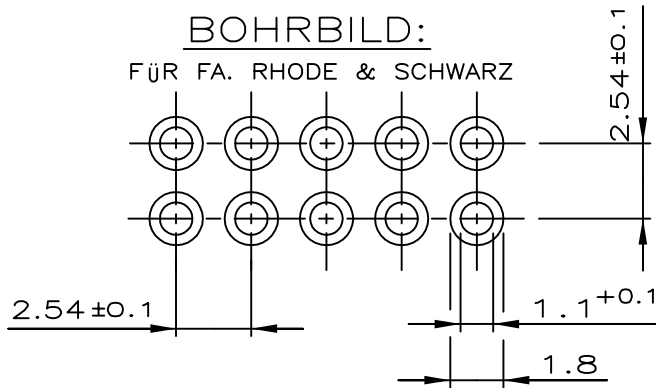


REVISIONS

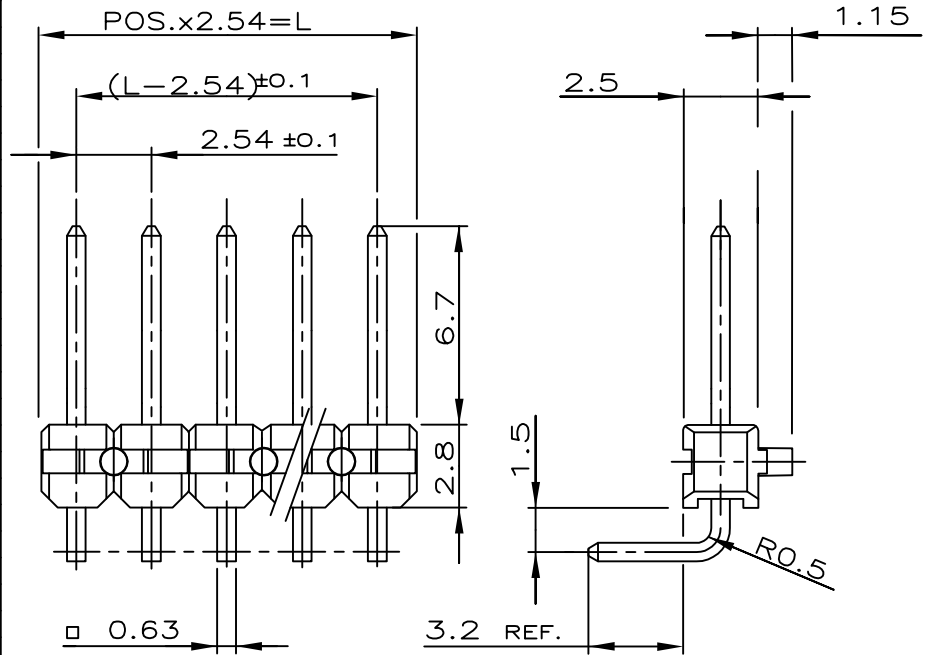
P	LTR	DESCRIPTION	DATE	DWN	APVD
F		Contact Pin material change from CuSn to CuZn	20SEP2017	KJK	PS

BOHRBILD:

FÜR FA. RHODE & SCHWARZ



BEI LEITUNGSDURCHFÜHRUNGEN ZWISCHEN DEN KONTAKTEN  
BOHRUNGSDURCHMESSER 0.95<sup>+0.1</sup> MIT LÖTAUGE Ø 1.5



- ⚠ MIN. 3µm TIN OVER 1.27µm NICKEL
- ⚠ OBSOLETE

CONTACT PIN	CuZn	⚠
PIN HOUSING	PCT	BLACK
DESCRIPTION	MATERIAL	COLOR/ FINISH

POS.	L-1.0	PART NUMBER
-	-	-
2	5.08	827314 -2
3	7.62	-3
4	10.16	-4
5	12.70	-5
6	15.24	-6
7	17.78	-7
8	20.32	-8
9	22.86	-9
10	25.40	1-0 ⚠
11	27.94	1--1
12	30.48	1--2
13	33.02	1--3
14	35.56	1--4 ⚠
15	38.10	1--5
16	40.64	1--6 ⚠
17	43.18	1--7
18	45.72	1--8
19	48.26	1--9
20	50.80	2--0
21	53.34	2--1
22	55.88	2--2
23	58.42	2--3
24	60.96	2--4
25	63.50	2--5
26	66.04	2--6
27	68.58	2--7
28	71.12	2--8
29	73.66	2--9
30	76.20	3--0
31	78.74	3--1
32	81.28	3--2
33	83.82	3--3
34	86.36	3--4
35	88.90	3--5
36	91.44	3--6
37	93.98	3--7
38	96.52	3--8
39	99.06	3--9
40	101.60	4--0
41	104.14	4--1
42	106.68	4--2
43	109.22	4--3
44	111.76	4--4
45	114.30	4--5
46	116.84	4--6
47	119.38	4--7
48	121.92	4--8
49	124.46	4--9
50	127.00	5- 827314 -0

RELEASED FOR PUBLICATION

ALL RIGHTS RESERVED.

COPYRIGHT - TE Connectivity

THIS DRAWING IS UNPUBLISHED.

DIMENSIONS: mm	DWN	10.04.79	MATERIAL	SEE TABLE	FINISH	SEE NOTE 1
	CHK	12.04.79	TE Connectivity			
TOLERANCES UNLESS OTHERWISE SPECIFIED: ±0.2mm	APVD	-				
	PRODUCT SPEC	108-18012				
	APPLICATION SPEC	-	SIZE	CAGE CODE	DRAWING NO	RESTRICTED TO
	WEIGHT	-	A4	00779	C=827314	-
0 PLC ± -	CUSTOMER DRAWING		SCALE	4:1	SHEET	1 OF 1
1 PLC ± -					REV	F
2 PLC ± -						
3 PLC ± -						
4 PLC ± -						
ANGLES ± -						