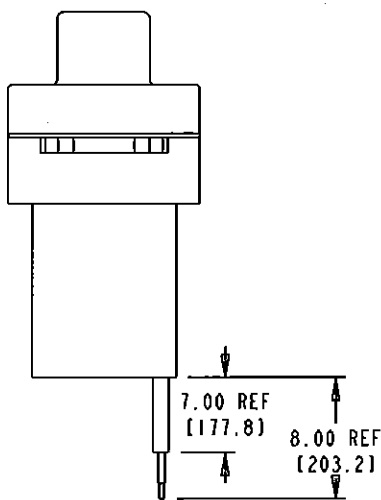
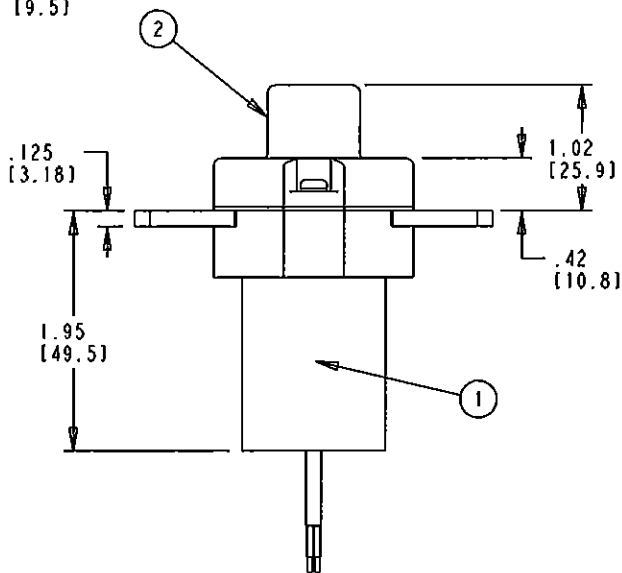
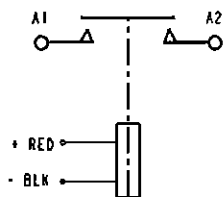
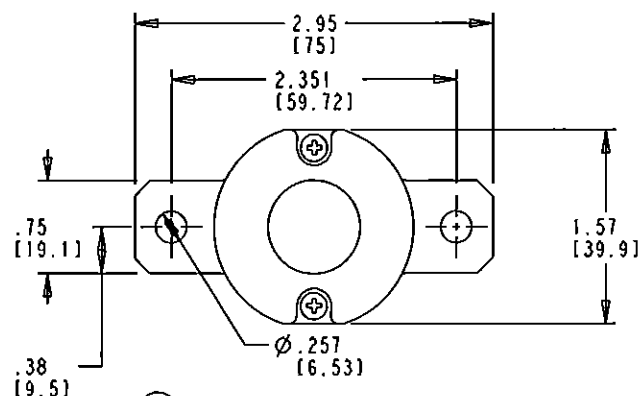


USED ON

DWG NO 8-1616968-4

THIS DRAWING IS A CONTROLLED DOCUMENT



CONSTRUCTION  
MAIN CONTACTS  
CONFIGURATION  
VOLTAGE  
CURRENT

GASKET SEALED  
SPST N.O. (DOUBLE BREAK)  
28 VDC

RESISTIVE  
RUPTURE  
MOTOR

400 AMPS  
4000 AMPS  
1875 AMPS FOR 0 TO 5 SEC  
1700 AMPS FOR 5 TO 10 SEC  
1500 AMPS FOR 10 TO 15 SEC  
1200 AMPS FOR 15 TO 20 SEC  
1000 AMPS FOR 20 TO 25 SEC  
750 AMPS FOR 25 TO 30 SEC  
500 AMPS FOR 30 TO 90 SEC

COIL DATA  
DUTY CYCLE  
NOM. OPERATE VOLTAGE  
MAX PICKUP VOLTAGE  
DROPOUT VOLTAGE  
COIL CURRENT

INTERMITTENT  
28 VDC  
12 VDC  
0.5 TO 5 VDC  
1.6 AMPS MAX

ENVIRONMENTAL DATA  
TEMPERATURE  
ALTITUDE

-55°C TO 71°C  
50,000 FT

LIFE ELECTRICAL  
LIFE MECHANICAL

50,000 CYCLES  
100,000 CYCLES

WEIGHT, MAX

.65 LBS

THIS INFORMATION IS CONFIDENTIAL AND PROPRIETARY TO TPCO ELECTRONICS CORPORATION AND ITS WHOLLY OWNED SUBSIDIARIES AND AFFILIATES (IE., IT MAY NOT BE DISCLOSED TO ANYONE, OTHER THAN THE PERSONNEL, WITHOUT AUTHORIZATION FROM TE Corp., TE.com).

A	RELEASED	27SEP2013	RSS	ES
LTR	REVISION RECORD	DATE	BYN	APVD

2	1	46095-210	CONTACTOR ASSEMBLY PRIMARY	8-1616972-7
1	1	44899-032	NAME PLATE	8-1616972-9
FIND NO	QTY RECD	PART OR IDENTIFYING NO	NOMENCLATURE OR DESCRIPTION	DRAWING OR SPECIFICATION
				FSCN NO
				TE PART NO
				MATERIAL
				HEAT TREAT
CAGE CODE: 74063			DNW	18SEP2013
19 May 1968 415 N. SECOND STREET WASHINGTON, D.C. 20001			RSS	
DIMENSIONS: INCHES [mm]			CHK	
TOLERANCES UNLESS OTHERWISE SPECIFIED:			MDM	13-09-27
0 PLC	±		APVD	
1 PLC	± .06		DWA	13-09-27
2 PLC	± .06		NAME CONTACTOR SPST NO DB	
3 PLC	± .010		400 AMP, 28 VDC INT.	
4 PLC	±		K400B1D	
ANGLE: 1			SCALE	SIZE
SURFACE TEXTURE	✓		NONE	A3
			DRAWING NO	8-1616968-4
			SHEET	1 OF 1
			REV	A