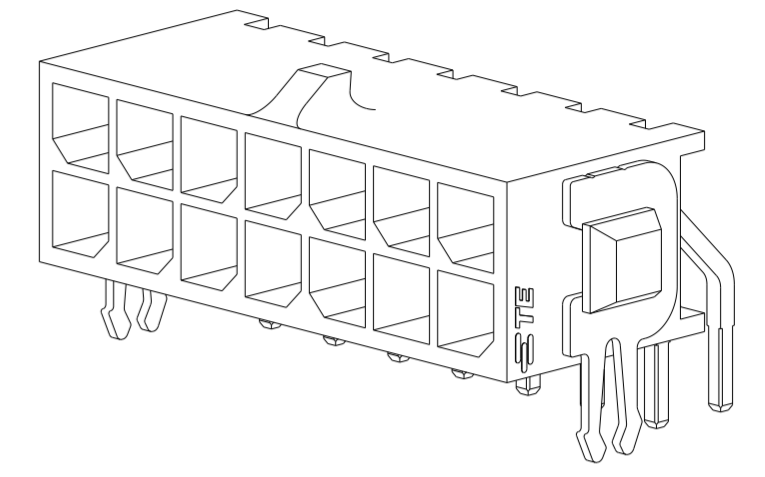
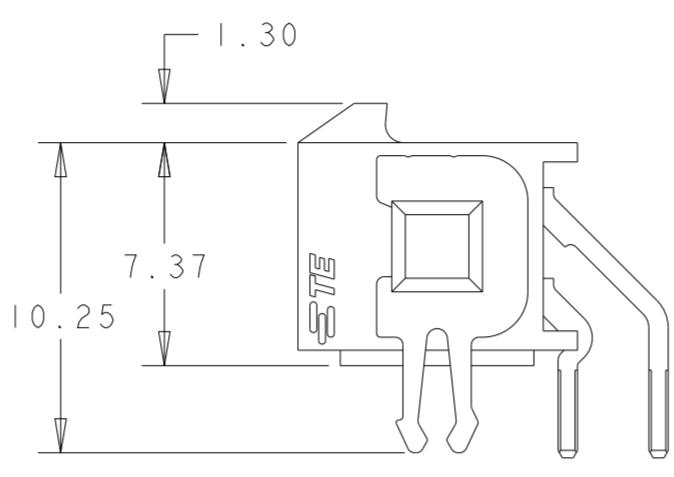
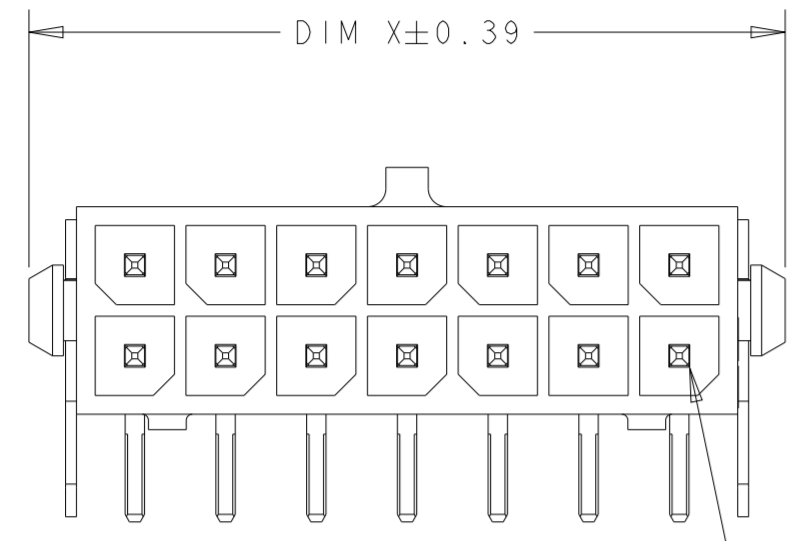


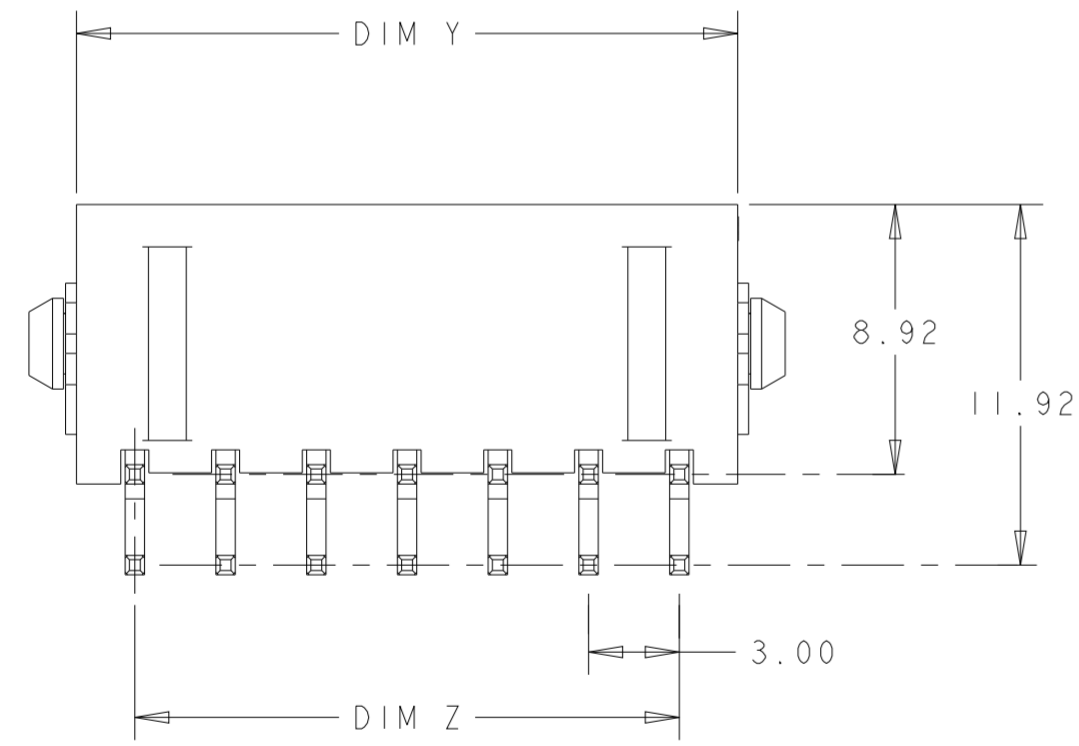
THIS DRAWING IS UNPUBLISHED. RELEASED FOR PUBLICATION 20  
 © COPYRIGHT 20 BY - ALL RIGHTS RESERVED.

REVISIONS					
P	LTR	DESCRIPTION	DATE	DWN	APVD
	G5	REVISED PER ECN-23-240910	29NOV2023	WLS	VS



CIRCUIT NUMBER 1

- 1 MATERIAL;  
CONTACTS - BRASS.  
HOUSING - UL 94V-0 RATED HIGH TEMP NYLON, COLOR BLACK.
- 2 RECOMMENDED PC BOARD THICKNESS OF 1.57.
- 3 PLATING;  
CONTACTS - 2.54µm MINIMUM MATTE TIN OVER 1.27µm MINIMUM NICKEL ALL OVER.  
HOLDDOWNS - 2.54µm MINIMUM MATTE TIN OVER 1.27µm MINIMUM NICKEL ALL OVER.
- 4 COUNTERPART RECOMMENDED IS PN 794617 (DASH ACCORDING TO NUMBER OF POSITION).
- 5 FOR REELING DIRECTION AND PACKAGING TYPE, SEE SPECIFICATION 114-13000.



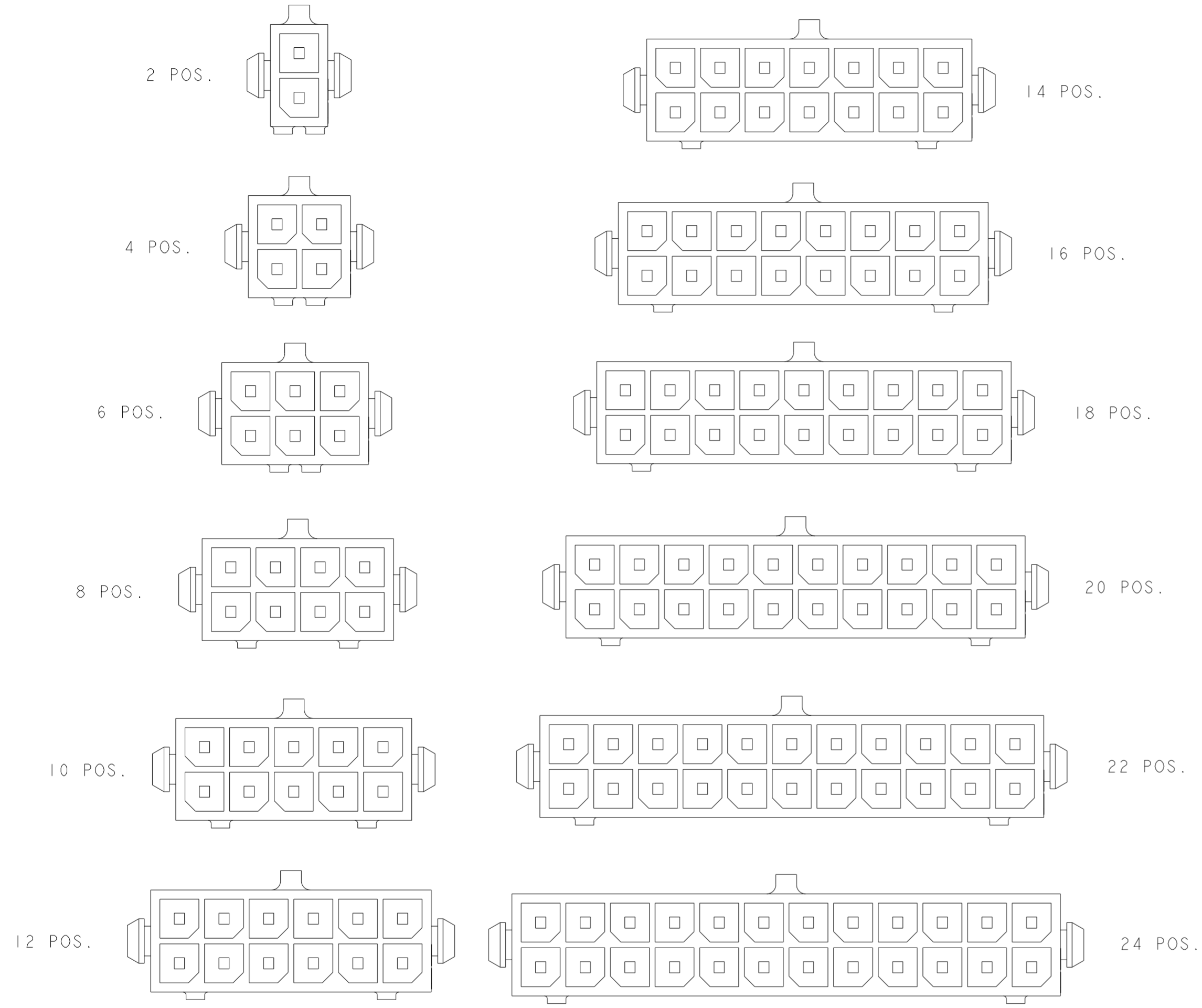
OBSOLETE

DIM Y	DIM W	DIM Z	DIM X	NO. OF POSN.	PART NUMBER
36.86	37.30	33.00	40.00	24	5-794677-4
<del>33.86</del>	<del>34.30</del>	<del>30.00</del>	<del>37.00</del>	<del>22</del>	<del>5-794677-2</del>
30.86	31.30	27.00	34.00	20	5-794677-0
27.86	28.30	24.00	31.00	18	4-794677-8
24.86	25.30	21.00	28.00	16	4-794677-6
21.86	22.30	18.00	25.00	14	4-794677-4
18.86	19.30	15.00	22.00	12	4-794677-2
15.86	16.30	12.00	19.00	10	4-794677-0
12.86	13.30	9.00	16.00	8	3-794677-8
9.86	10.30	6.00	13.00	6	3-794677-6
6.86	7.30	3.00	10.00	4	3-794677-4
3.86	4.30	-	7.00	2	3-794677-2

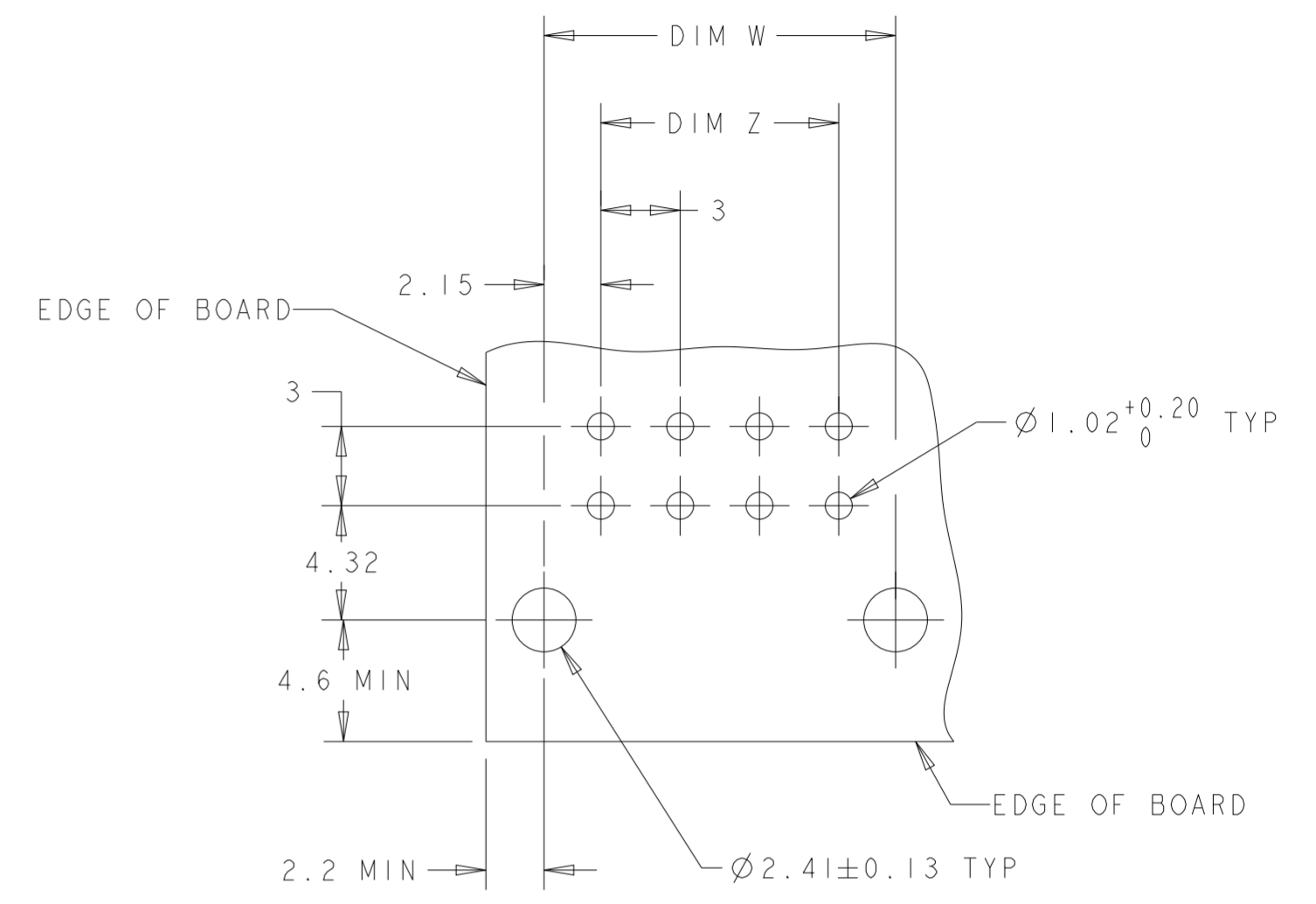
THIS DRAWING IS A CONTROLLED DOCUMENT.		DWN B. HAYMAKER 12AUG99	TE Connectivity		
DIMENSIONS: mm		CHK K. COBLE 12AUG99			
TOLERANCES UNLESS OTHERWISE SPECIFIED:		APVD K. COBLE 12AUG99	NAME THRU-HOLE, RIGHT ANGLE, TIN HEADER MECHANICAL BOARDLOCK, DUAL ROW, MICRO MATE-N-LOK™		
0 PLC ± 1 PLC ± 2 PLC ±0.20 3 PLC ± 4 PLC ± ANGLES ±° FINISH		PRODUCT SPEC 108-1836	SIZE A2	CAGE CODE p0779	DRAWING NO G-794677
MATERIAL		APPLICATION SPEC 114-13000	RESTRICTED TO	-	
		WEIGHT -	SCALE 4:1 SHEET 1 OF 2 REV G5		
		CUSTOMER DRAWING			

THIS DRAWING IS UNPUBLISHED. RELEASED FOR PUBLICATION 20  
 © COPYRIGHT 20 BY - ALL RIGHTS RESERVED.

REVISIONS				
P	LTR	DESCRIPTION	DATE	APVD
-	-	SEE SHEET 1	-	-



KEYING BY POSITION SIZE



RECOMMENDED PCB LAYOUT (COMPONENT SIDE)

THIS DRAWING IS A CONTROLLED DOCUMENT.		DWN B. HAYMAKER 12AUG99	TE Connectivity	
DIMENSIONS: mm		CHK K. COBLE 12AUG99		
TOLERANCES UNLESS OTHERWISE SPECIFIED:		APVD K. COBLE 12AUG99	NAME THRU-HOLE, RIGHT ANGLE, TIN HEADER MECHANICAL BOARDLOCK, DUAL ROW, MICRO MATE-N-LOK	
0 PLC ±		PRODUCT SPEC 108-1836	SIZE	RESTRICTED TO
1 PLC ±		APPLICATION SPEC 114-13000	CAGE CODE A20779	DRAWING NO C-794677
2 PLC ±0.20		WEIGHT -	SCALE 4:1	SHEET 2 OF 2
3 PLC ±		CUSTOMER DRAWING	REV G5	
4 PLC ±				
ANGLES ±°				
FINISH				