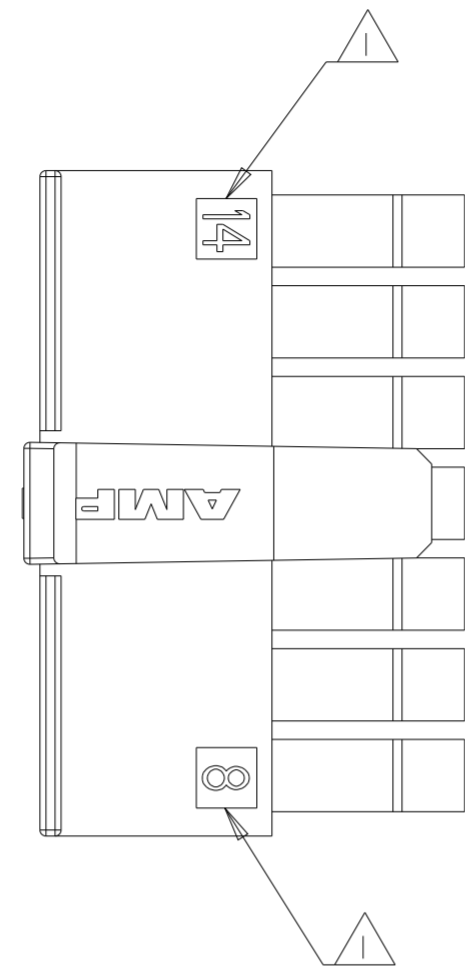
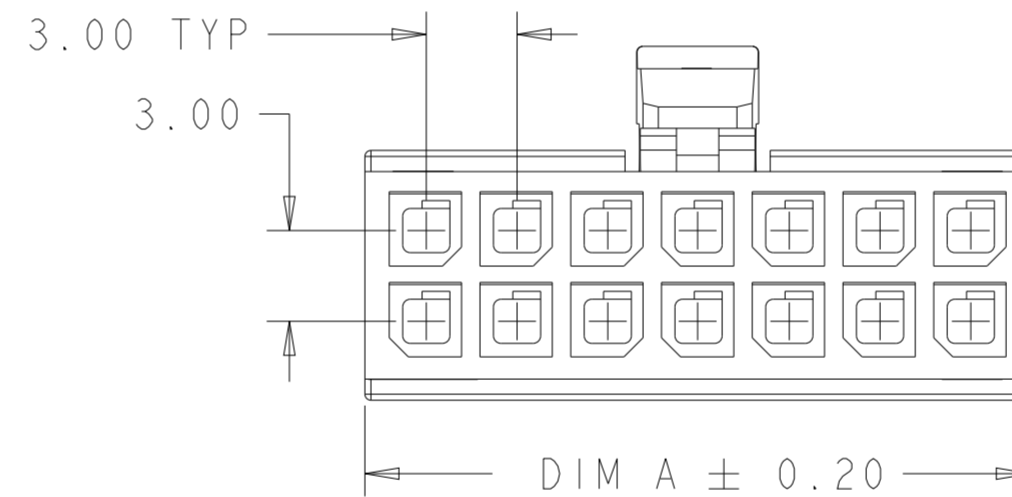
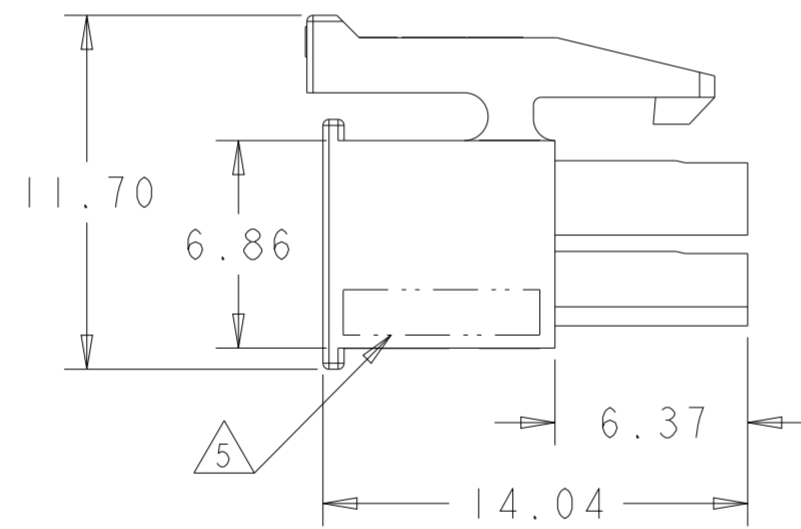
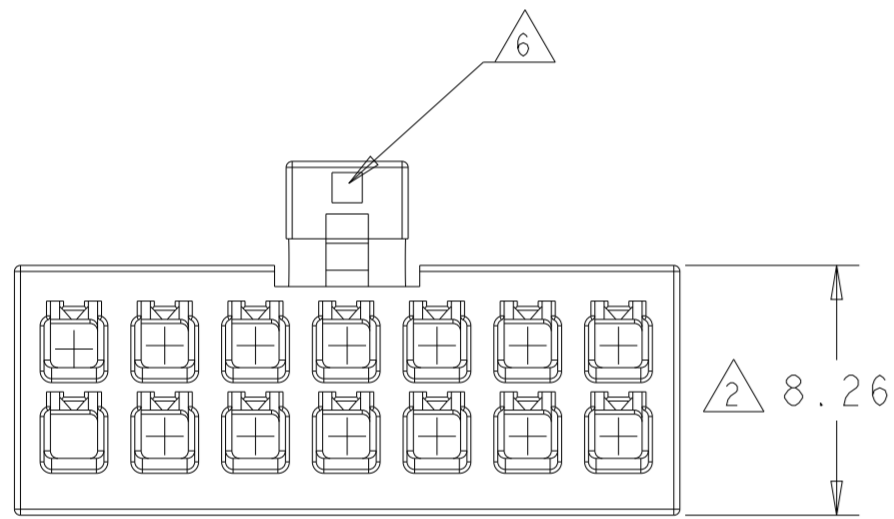


REVISIONS

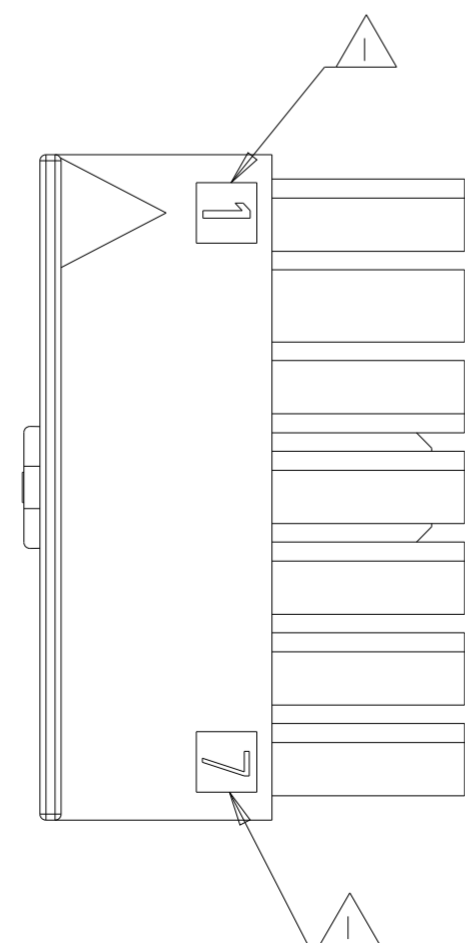
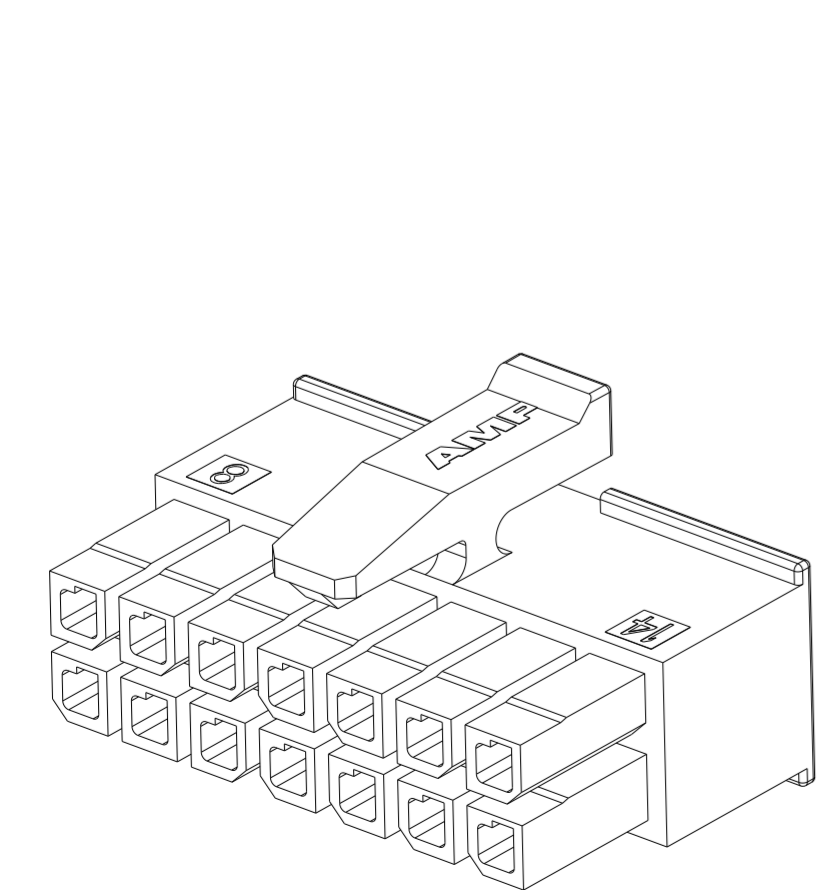
P	LTR	DESCRIPTION	DATE	DWN	APVD
F4		REVISED PER ECO-19-018884	12DEC2019	WLS	DZ
F5		REVISED PER ECN-20-100715	30NOV2020	WLS	VS
F6		REVISED PER ECN-23-210752	02MAY2023	WLS	VS



- ① CIRCUIT IDENTIFIER, LOCATED APPROXIMATELY AS SHOWN.
- ② DIMENSION ONLY 7.56 ON 2 POSITION.
- ③ MATERIAL PA66/6 UL94-V0,
- ④ MATERIAL PA66 UL94-V0, GWPT 750°C AND GWFI 850°C, NO FLAME ACC. TO IEC 60335-1.
- ⑤ MATERIAL ID ">PA<" LOCATED IN APPROX AREA SHOWN, APPROX 0.01 HIGH.
- ⑥ CAVITY NUMBER IDENTIFICATION.
- 7 COUNTERPART RECOMMENDED IS PN 794615 OR 794616 OR ANY HEADER ASSEMBLY DOUBLE ROW OF THIS PRODUCT LINE (DASH ACC. TO NUMBER OF POSITION).
- 8 TERMINAL USED WITH THIS CONNECTOR CAN BE 794606 OR 794607 OR LOOSE PIECE TERMINALS MAKE FROM THEM OR OTHER APPROVED BY PRODUCT ENGINEERING (TERMINAL PN DEFINED ACC. TO WIRE SIZE AND DASH NUMBER ACC. TO FINISHING).



COLOR	MATERIAL	DIM A	NO. OF POS.	PART NUMBER
NATURAL	④	16.00	10	3-794617-0
		13.00	8	3-794617-8
		10.00	6	3-794617-6
BLACK	③	37.00	24	2-794617-4
		34.00	22	2-794617-2
		31.00	20	2-794617-0
		28.00	18	1-794617-8
		25.00	16	1-794617-6
		22.00	14	1-794617-4
		19.00	12	1-794617-2
		16.00	10	1-794617-0
		13.00	8	794617-8
		10.00	6	794617-6
		7.00	4	794617-4
	② ③	4.00	2	794617-2



THIS DRAWING IS A CONTROLLED DOCUMENT.

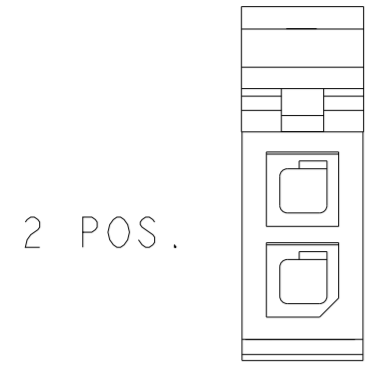
DIMENSIONS:	TOLERANCES UNLESS OTHERWISE SPECIFIED:	DWN	K. WHITAKER	14OCT1999
mm	0 PLC ±	CHK	K. COBLE	14OCT1999
	1 PLC ±	APVD	K. COBLE	14OCT1999
	2 PLC ±0.26	PRODUCT SPEC		108-1836
	3 PLC ±	APPLICATION SPEC		114-13000
	4 PLC ±	WEIGHT		-
	ANGLES ±1°	CUSTOMER DRAWING		
	FINISH -			

NAME: RECEPTACLE HOUSING, 2 TO 24 POSITION, DUAL ROW, MICRO MATE-N-LOK

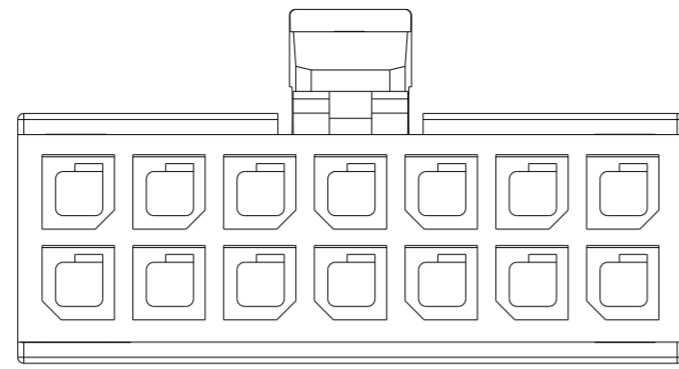
SIZE: A2 CAGE CODE: 00779 DRAWING NO: C-794617 RESTRICTED TO: -

SCALE: 4:1 SHEET: 1 OF 2 REV: F6

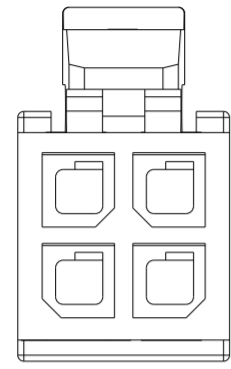
P	LTR	DESCRIPTION	DATE	DWN	APVD
-	-	SEE SHEET 1	-	-	-



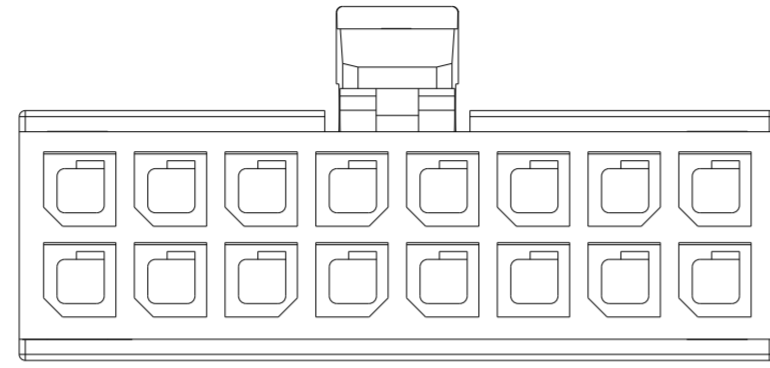
2 POS.



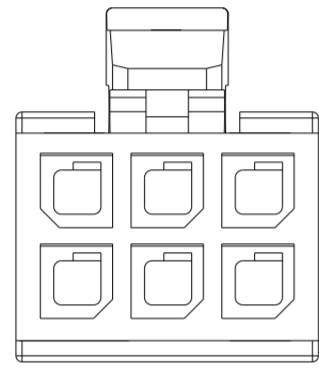
14 POS.



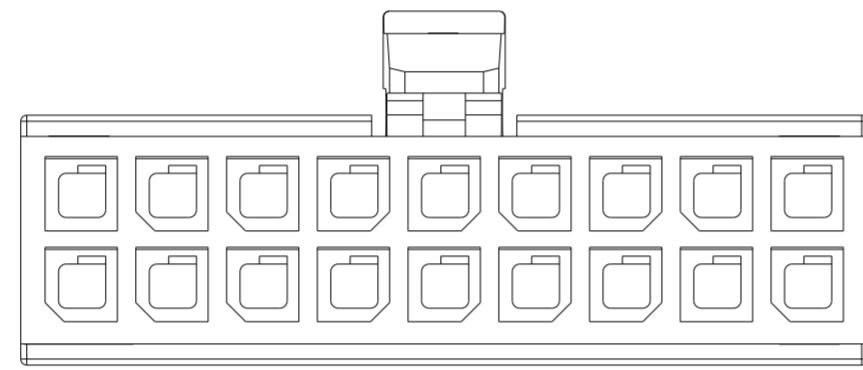
4 POS.



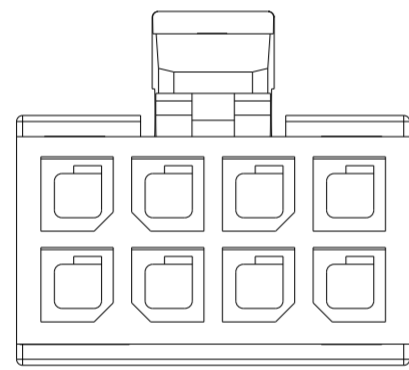
16 POS.



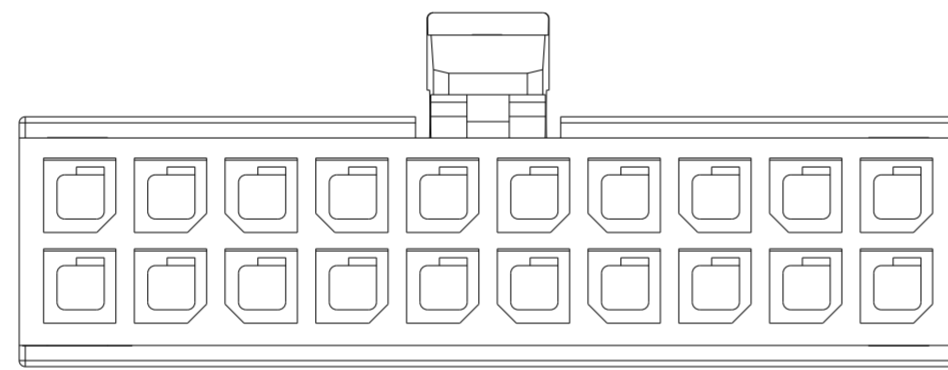
6 POS.



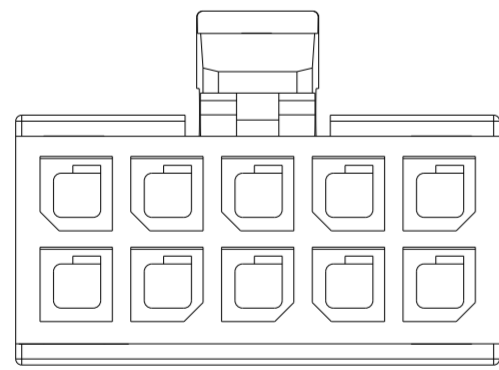
18 POS.



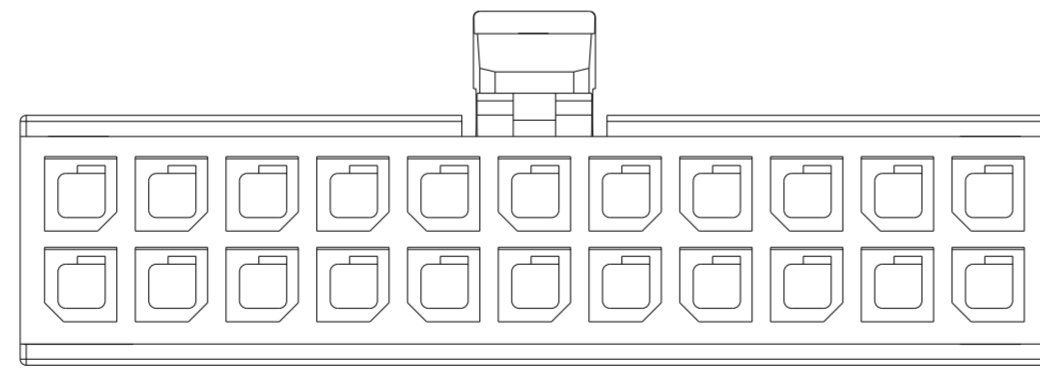
8 POS.



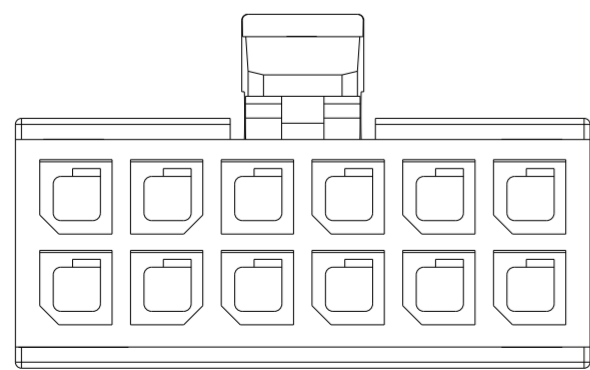
20 POS.



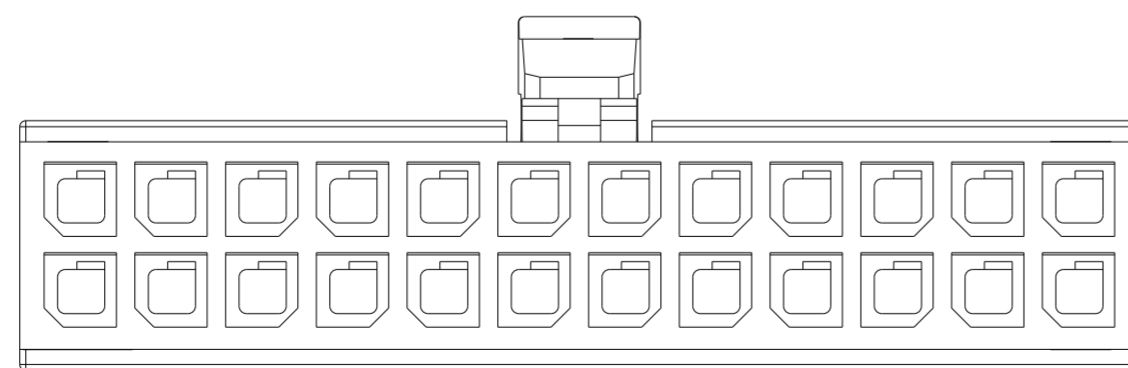
10 POS.



22 POS.


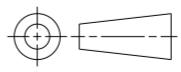


12 POS.



24 POS.

KEYING BY POSITION SIZE

THIS DRAWING IS A CONTROLLED DOCUMENT.		DWN K. WHITAKER 14OCT1999	 TE Connectivity	
DIMENSIONS: mm		CHK K. COBLE 14OCT1999		
TOLERANCES UNLESS OTHERWISE SPECIFIED:		APVD K. COBLE 14OCT1999	NAME RECEPTACLE HOUSING, 2 TO 24 POSITION, DUAL ROW, MICRO MATE-N-LOK	
		PRODUCT SPEC 108-1836	SIZE 114-13000	CAGE CODE A200779
MATERIAL SEE TABLE		APPLICATION SPEC 114-13000	DRAWING NO C-794617	RESTRICTED TO -
		WEIGHT -	SCALE 4:1	SHEET 2 OF 2
		CUSTOMER DRAWING	REV F6	