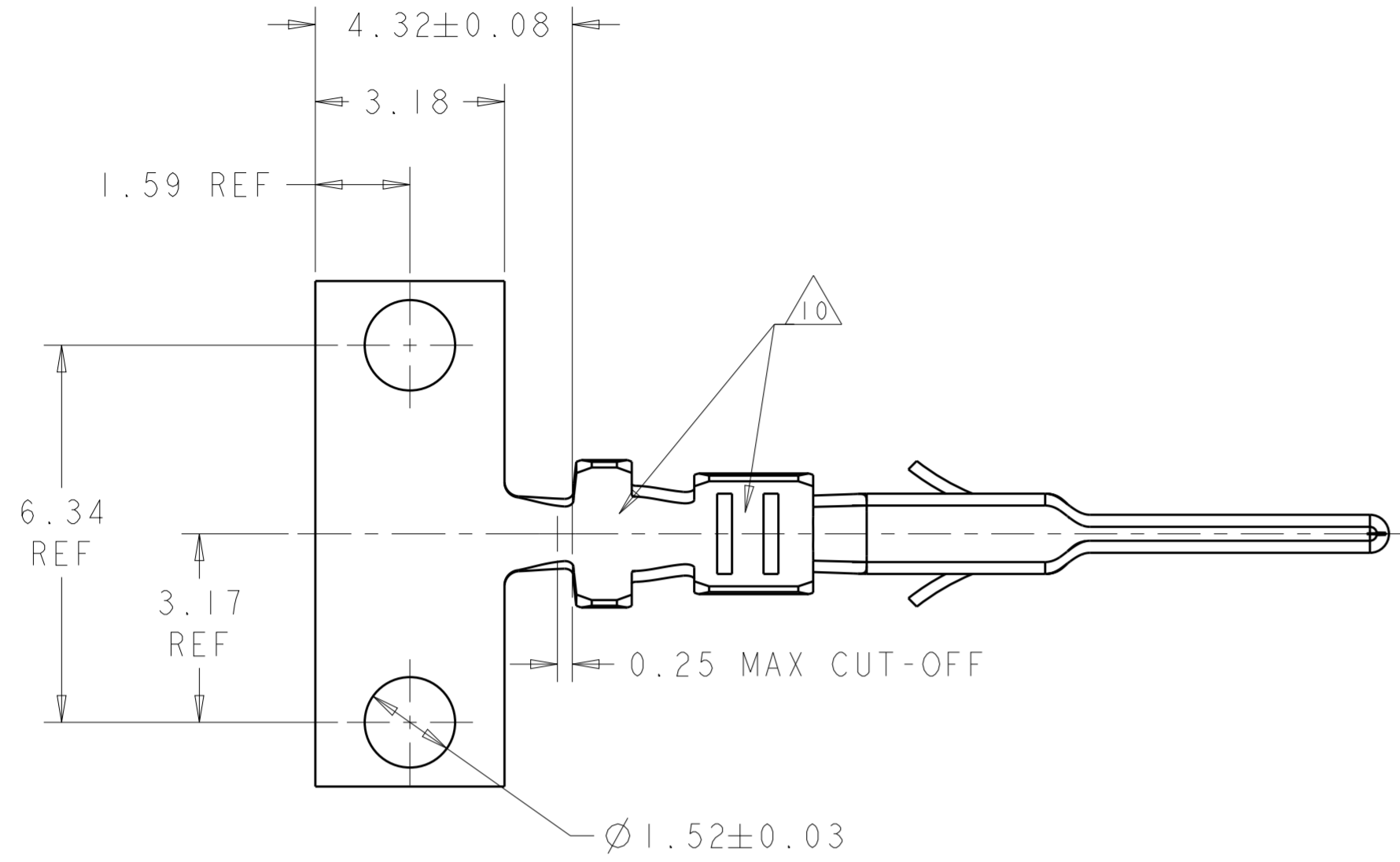
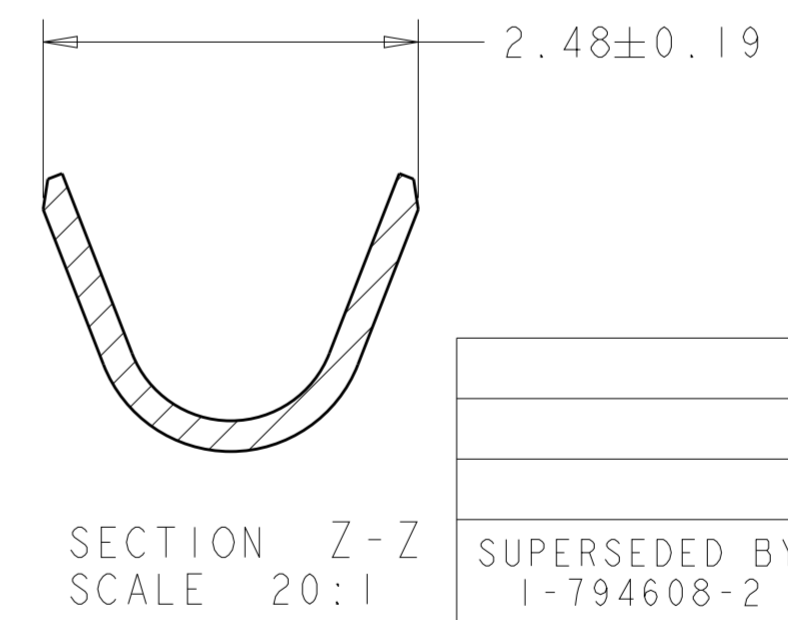
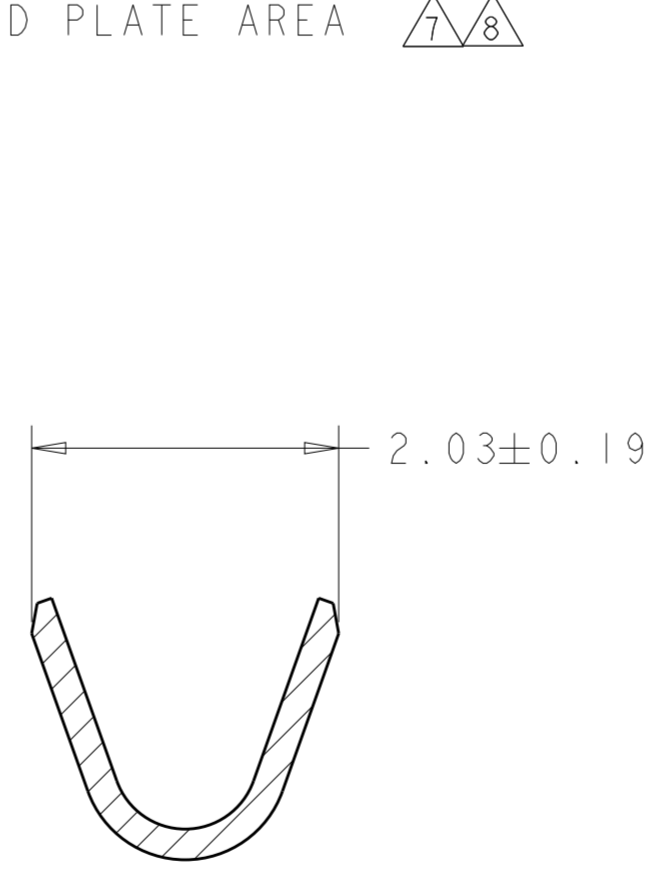
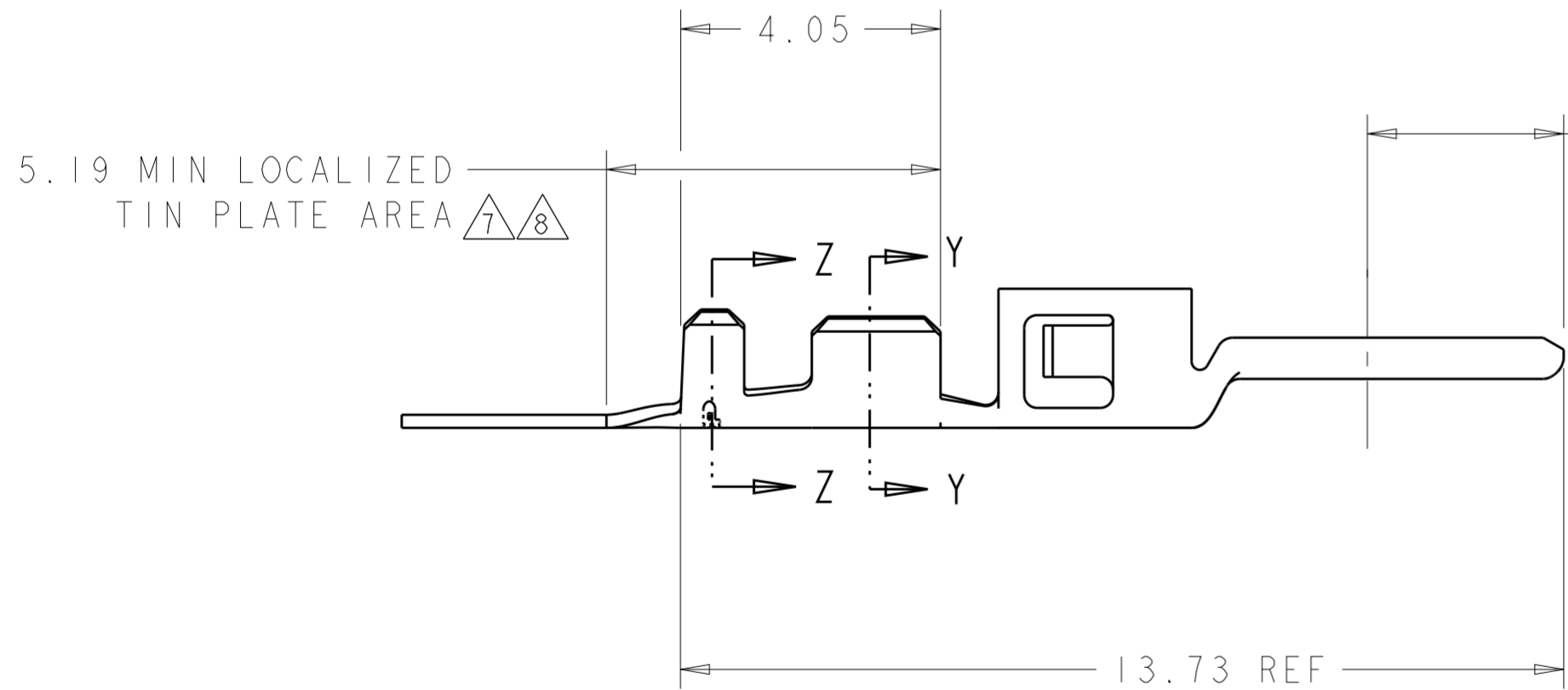


THIS DRAWING IS UNPUBLISHED. RELEASED FOR PUBLICATION 20
 © COPYRIGHT 20 BY - ALL RIGHTS RESERVED.

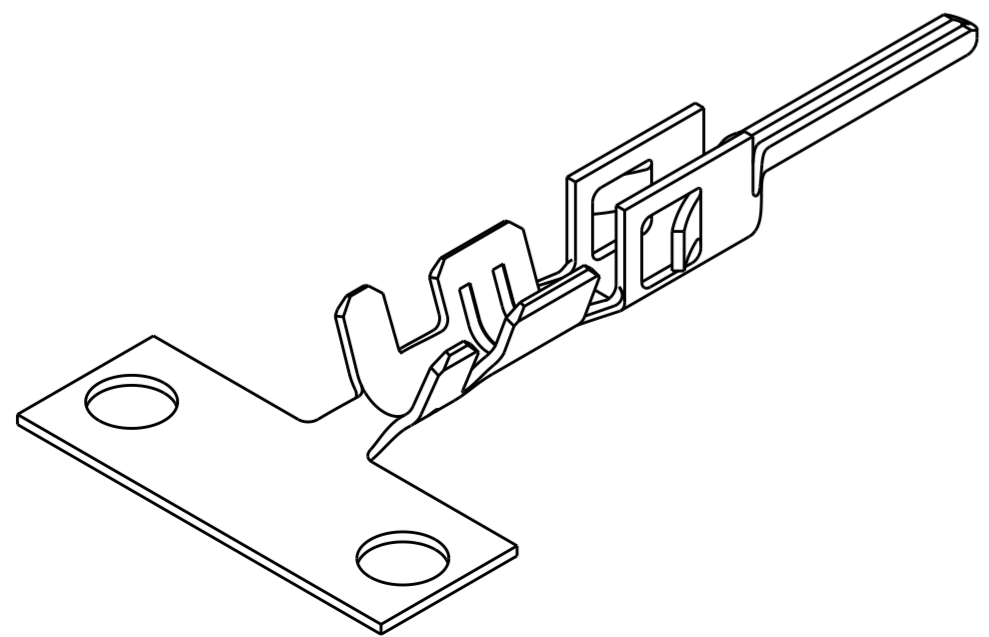
LOC		DIST		REVISIONS			
P	LTR	DESCRIPTION	DATE	DWN	APVD		
	EI	REVISED PER ECO-19-013973	16SEP2019	RS	WLS		
	F	REVISED PER ECO-20-013993	01OCT2020	WLS	VS		



- 1 2.54 µm MIN BRIGHT TIN/LEAD ENTIRE STOCK OVER 1.27 µm MIN NICKEL ENTIRE STOCK.
- 2 0.38 µm MIN GOLD IN LOCALIZED GOLD PLATE AREA, 2.54 µm MIN BRIGHT TIN/LEAD IN LOCALIZED TIN/LEAD PLATE AREA, BOTH OVER 1.27 µm MIN NICKEL ON ENTIRE STOCK.
- 3 0.76 µm MIN GOLD IN LOCALIZED GOLD PLATE AREA, 2.54 µm MIN BRIGHT TIN/LEAD IN LOCALIZED TIN/LEAD PLATE AREA, BOTH OVER 1.27 µm MIN NICKEL ON ENTIRE STOCK.
- 4 WIRE RANGE 20-24 AWG.
- 5 INSULATION RANGE 0.89-1.52
- 6 2.54 µm MIN BRIGHT TIN ENTIRE STOCK OVER 1.27 µm MIN NICKEL ENTIRE STOCK.
- 7 0.38 µm MIN GOLD IN LOCALIZED GOLD PLATE AREA, 2.54 µm MIN BRIGHT TIN IN LOCALIZED TIN PLATE AREA, BOTH OVER 1.27 µm MIN NICKEL ON ENTIRE STOCK.
- 8 0.76 µm MIN GOLD IN LOCALIZED GOLD PLATE AREA, 2.54 µm MIN BRIGHT TIN IN LOCALIZED TIN PLATE AREA, BOTH OVER 1.27 µm MIN NICKEL ON ENTIRE STOCK.
- 9 NOTE DELETED.
- 10 TIN PLATING THICKNESS INSIDE WIRE AND INSULATION BARRELS TO BE 1.27 µm MIN.



REMARKS	FINISH	PART NUMBER
	8	1-794608-2
	7	1-794608-1
	6	1-794608-0
SUPERSEDED BY 1-794608-2	3	794608-3
SUPERSEDED BY 1-794608-1	2	794608-2
SUPERSEDED BY 1-794608-0	1	794608-1



SECTION Y-Y
SCALE 20:1

THIS DRAWING IS A CONTROLLED DOCUMENT.

DIMENSIONS: mm	TOLERANCES UNLESS OTHERWISE SPECIFIED:	DWN W J RUDY 29AUG2000	TE Connectivity
	0 PLC ±	CHK W DAVIS 29AUG2000	
	1 PLC ±	APVD W DAVIS 29AUG2000	
	2 PLC ±0.13	PRODUCT SPEC 108-1836	
	3 PLC ±	APPLICATION SPEC 114-13000	NAME PLUG CONTACT, CRIMP SNAP, 20-24 AWG, MICRO MATE-N-LOK(TM)
	4 PLC ±	WEIGHT -	SIZE A200779
MATERIAL 0.20 THK BRASS	ANGLES ±	CUSTOMER DRAWING	DRAWING NO C-794608
	FINISH	SCALE 10:1	RESTRICTED TO
		SHEET 1 OF 1	REV F