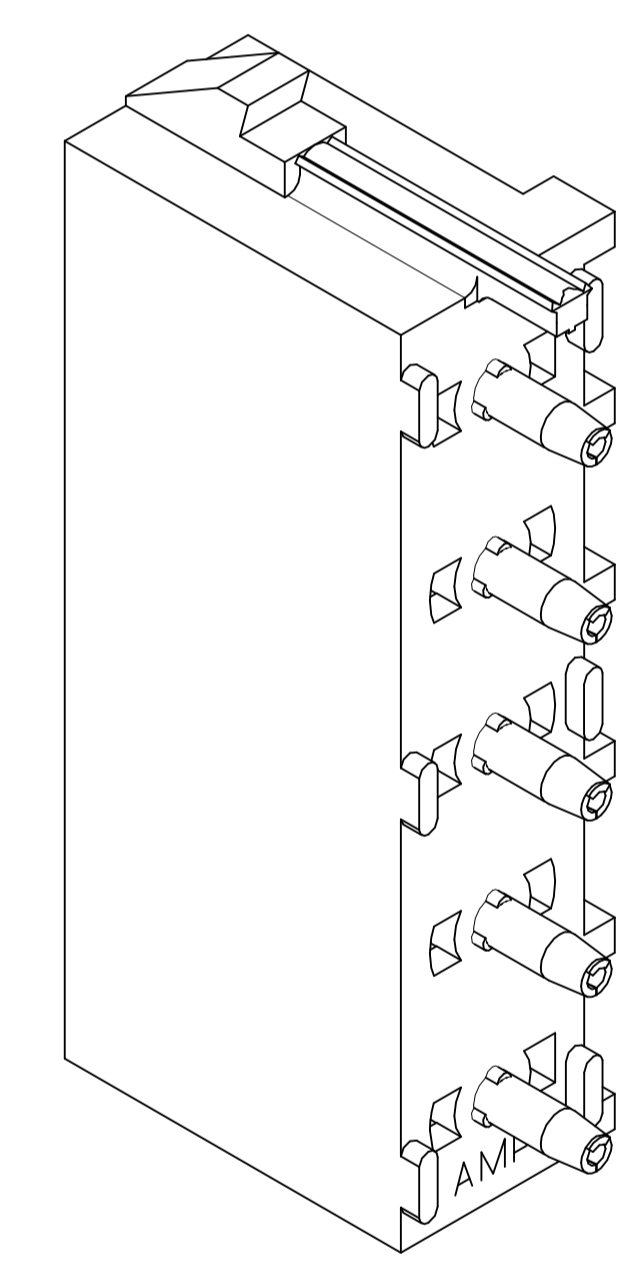
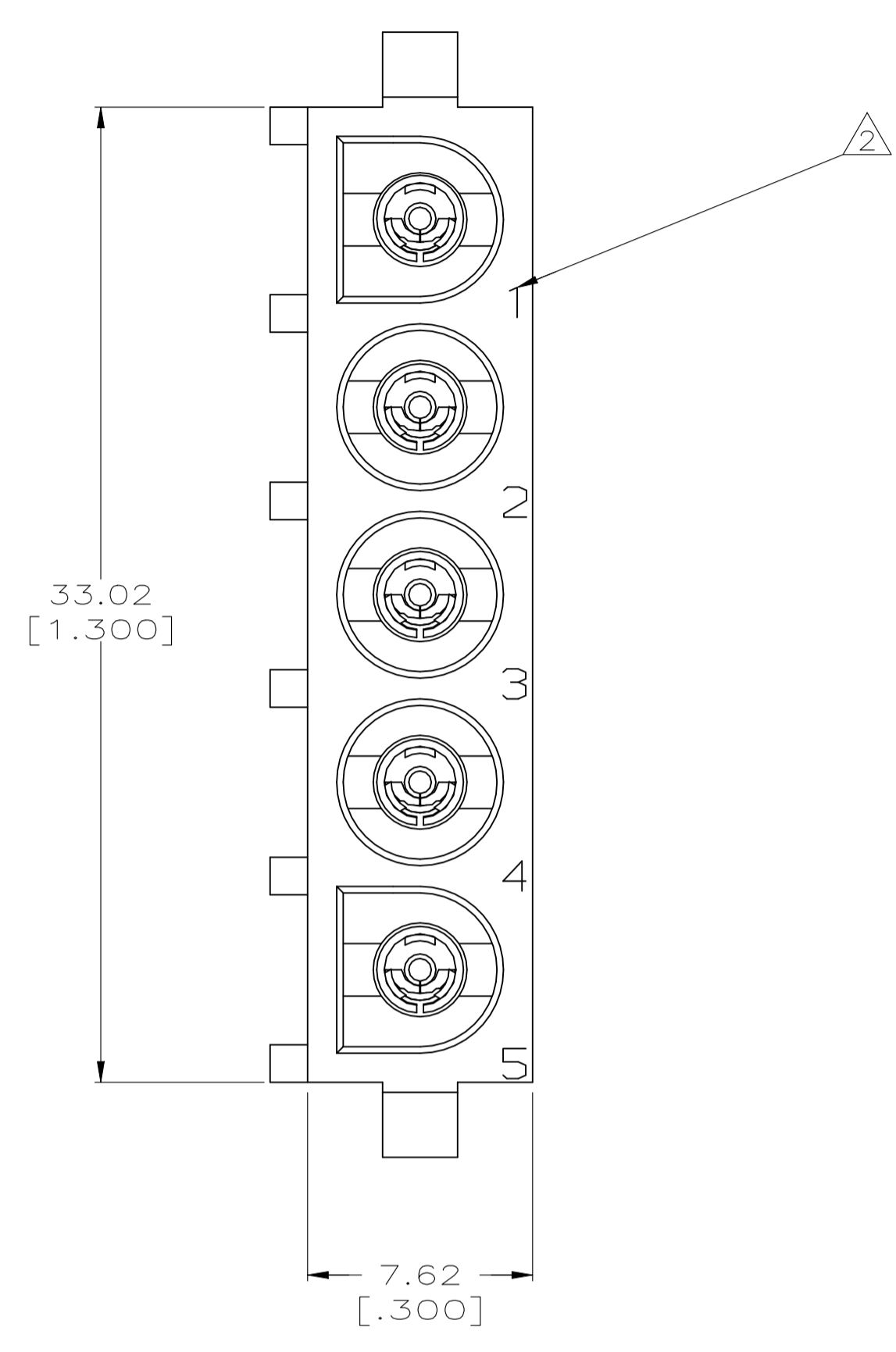
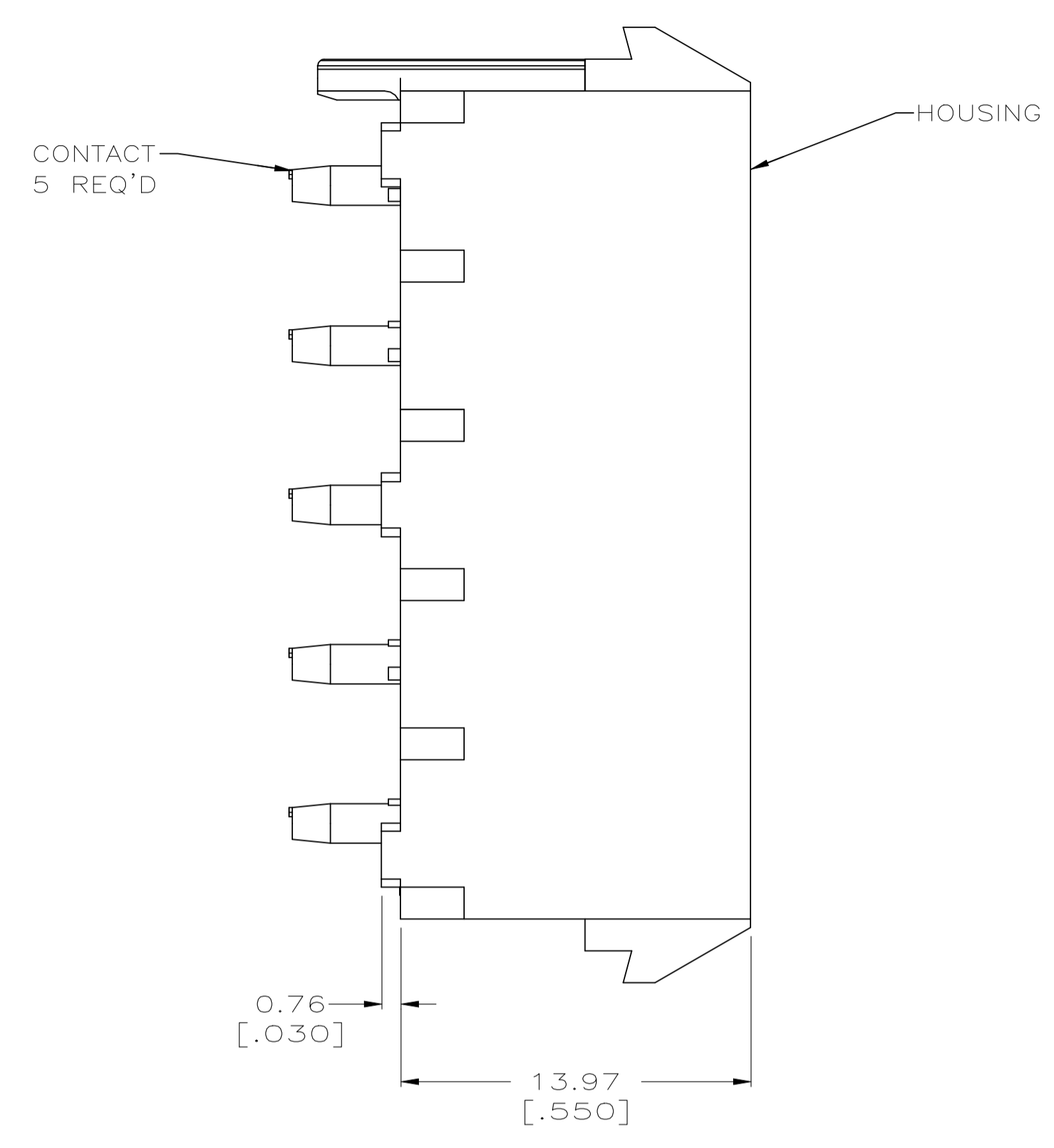
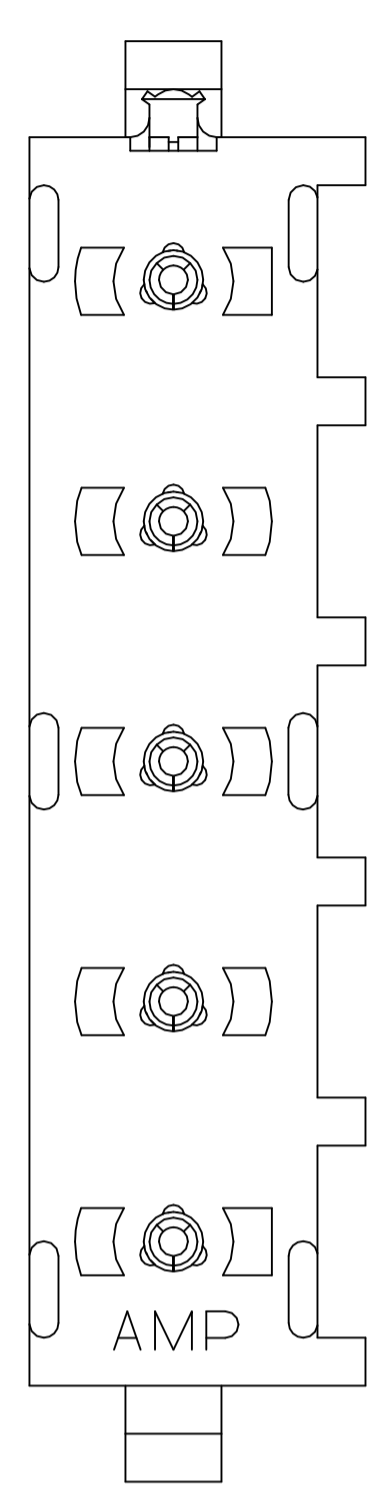
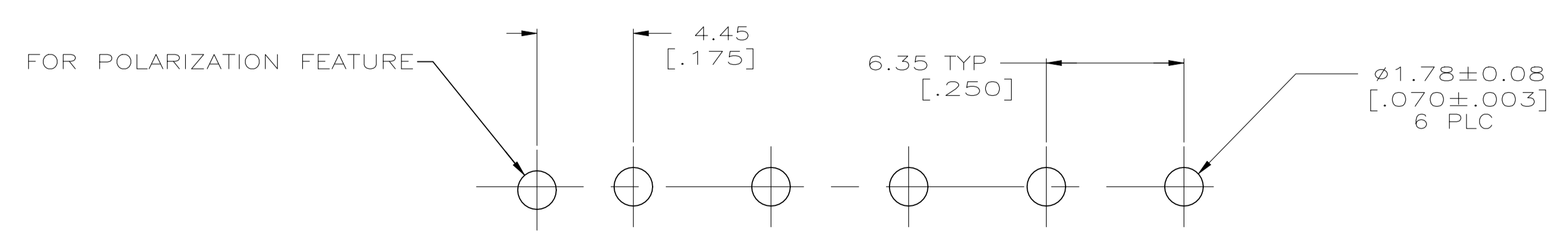
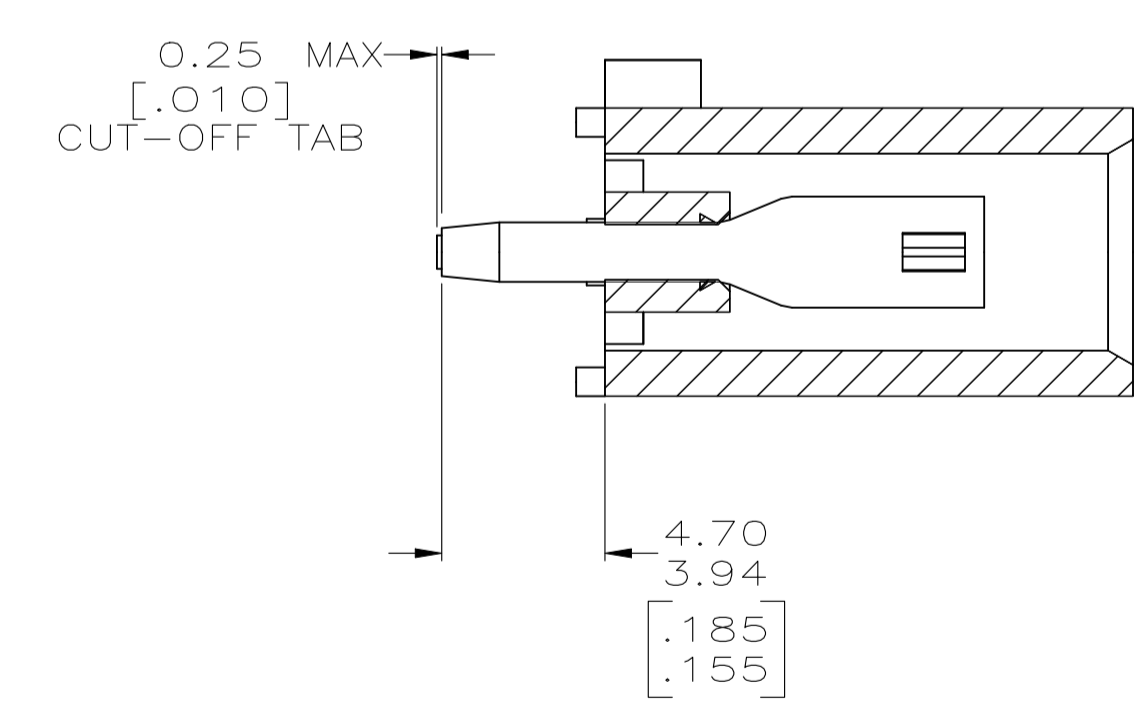


- PARTS COMPLY TO AMP SOLDERABILITY SPECIFICATION 109-11-3.
- CIRCUIT IDENTIFICATION CHARACTERS ARE ADJACENT TO THE INDICATED CAVITIES, BUT LOCATION AND ORIENTATION MAY DIFFER FROM PRINT.
- DIMENSIONS IN BRACKETS ARE IN INCHES.
- DIMENSION SHOWN REPRESENT PRODUCT IN DRY CONDITION. ADDITIONAL 2% GROWTH DUE TO END USE LOCATION MOISTURE ABSORPTION MAY OCCUR AND SHOULD BE ACCOUNTED FOR.



3-DIMENSIONAL MODEL
NTS



RECOMMENDED MOUNTING HOLE PATTERN
FOR 1.57 [.062] THICK P.C. BOARD

PHOSPHOR BRONZE, PRE-TIN	NYLON,UL94-V-2,BLACK	794584-2
PHOSPHOR BRONZE, PRE-TIN	NYLON,UL94-V-2,NATURAL	794584-1
PIN CONTACT MATERIAL AND FINISH	HOUSING MATERIAL	PART NUMBER

METRIC

THIS DRAWING IS A CONTROLLED DOCUMENT.		DIN K. WHITAKER 05AUG2005	tyco Electronics	Tyco Electronics Corporation Harrisburg, Pa 17105-3608	
DIMENSIONS: mm [INCHES]		CHK S. RIDGILL 05AUG2005		NAME	
TOLERANCES UNLESS OTHERWISE SPECIFIED:		APP'D S. RIDGILL 05AUG2005	PRODUCT SPEC		
0 PLC ± -		APPLICATION SPEC			
1 PLC ± -		SIZE CAGE CODE DRAWING NO			
2 PLC ± 0.13 [.005]		RESTRICTED TO			
3 PLC ± -		WEIGHT			
4 PLC ± -		A1 00779 C=794584			
ANGLES ± α°30'		CUSTOMER DRAWING			
MATERIAL SEE TABLE		FINISH SEE TABLE		SCALE 5:1 SHEET 1 of 1 REV A	