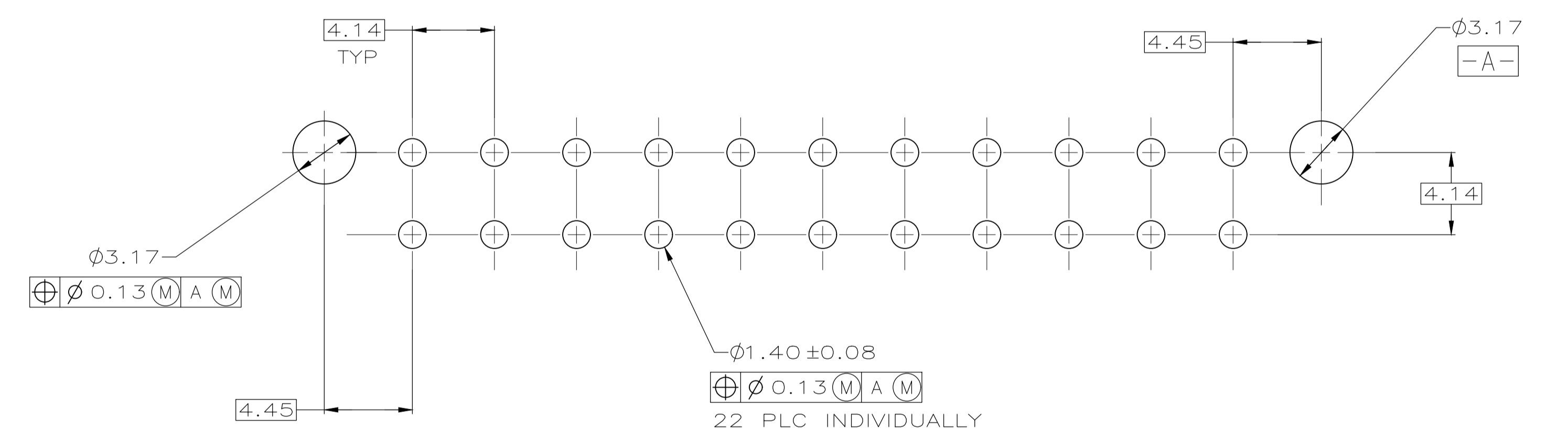
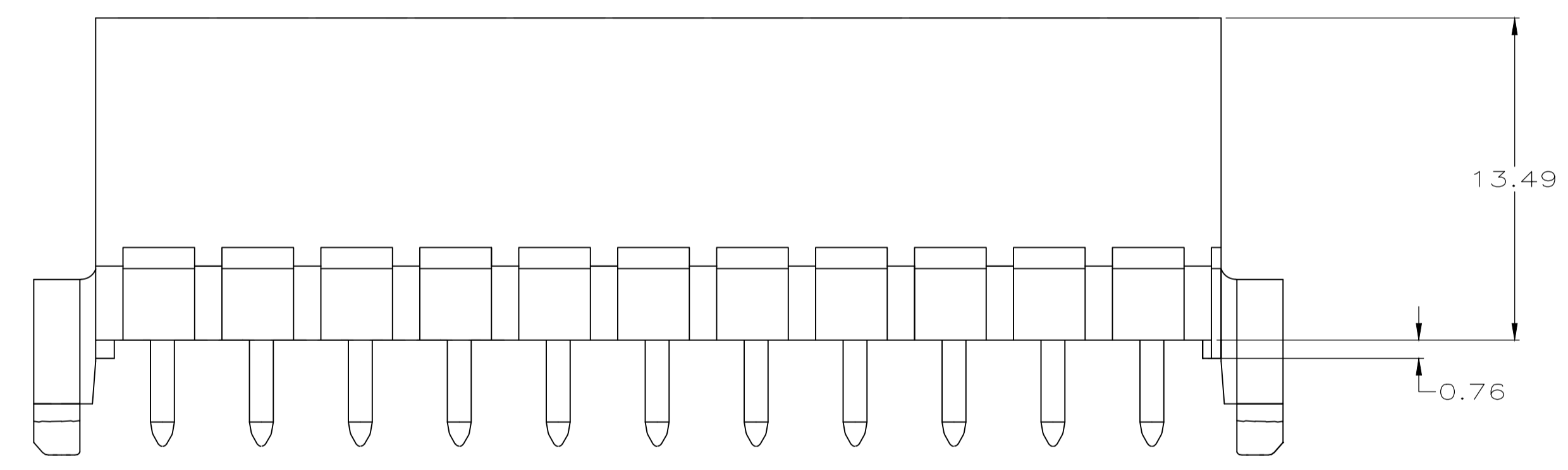
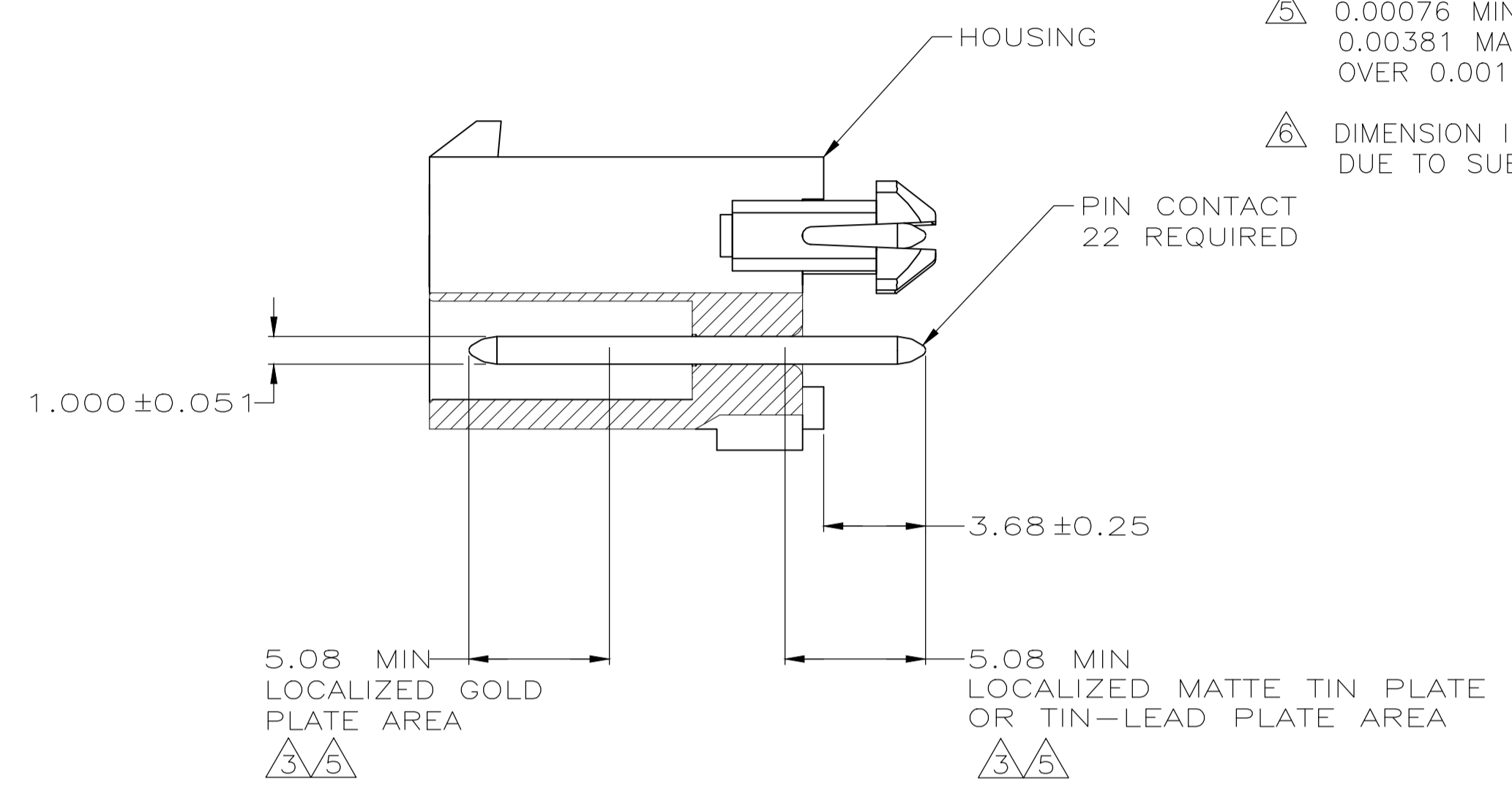
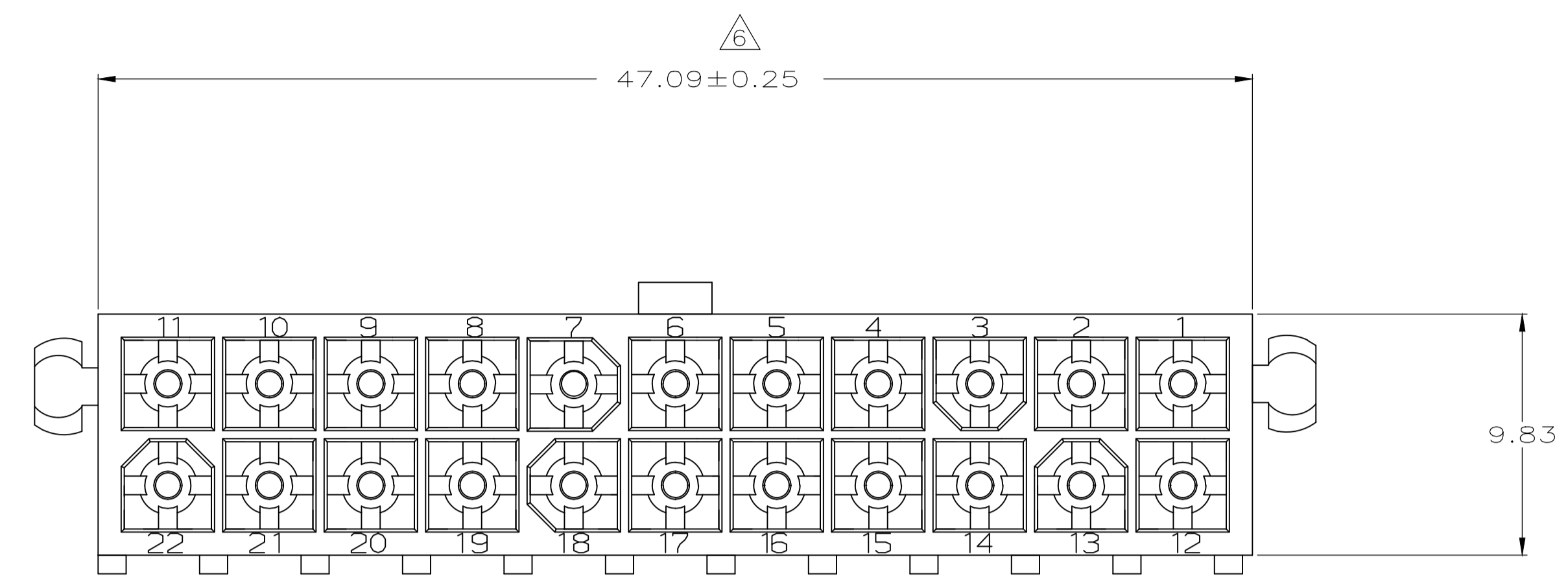
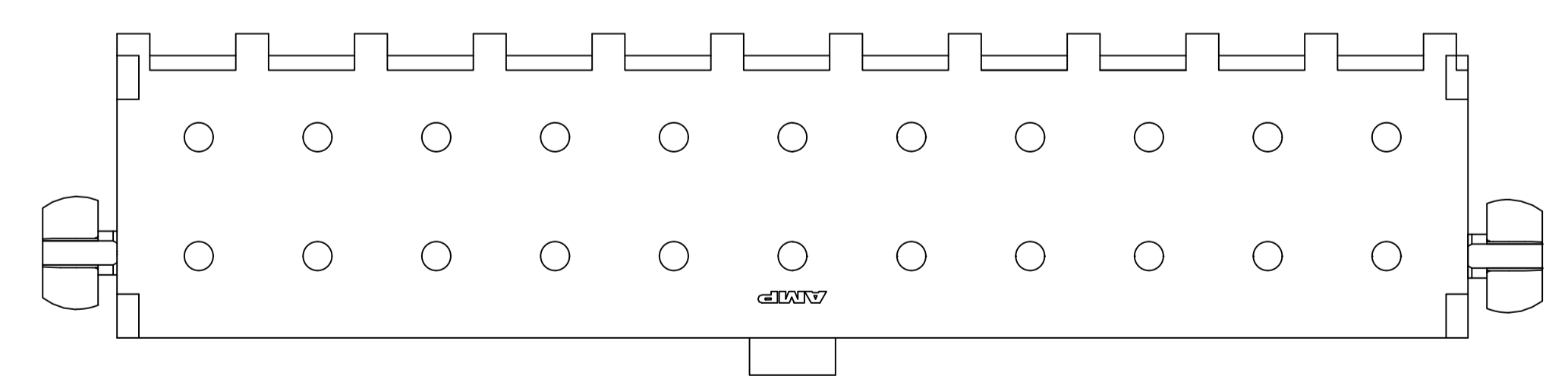


REVISIONS				
P	LTR	DESCRIPTION	DATE	BY / APP'D
F1		REVISED PER ECR-18-005392	28NOV2018	BDA / SG

- PINS TO COMPLY WITH AMP SOLDERABILITY SPEC. 108-11-3.
- 0.00381 MIN MATTE TIN LEAD OVER 0.00127 MIN NICKEL.
- 0.00076 MIN GOLD PLATE IN THE LOCALIZED PLATE AREA, 0.00381 MATTE TIN LEAD IN THE LOCALIZED PLATE AREA, BOTH OVER 0.00127 MIN NICKEL.
- 0.00381 MIN MATTE TIN OVER 0.00127 MIN NICKEL.
- 0.00076 MIN GOLD PLATE IN THE LOCALIZED PLATE AREA, 0.00381 MATTE TIN IN THE LOCALIZED PLATE AREA, BOTH OVER 0.00127 MIN NICKEL.
- DIMENSION INDICATED IS AS MOLDED. ADDITIONAL GROWTH DUE TO SUBSEQUENT MOISTURE ABSORPTION MAY OCCUR.



RECOMMENDED MOUNTING HOLE PATTERN FOR 1.57 THICK P.C. BOARD



OBSOLETE	BRASS, GOLD	NYLON, 94V-0, WHITE	1-794078-1
	BRASS, TIN	NYLON, 94V-0, WHITE	1-794078-0
	BRASS, GOLD	NYLON, 94V-0, WHITE	794078-2
OBSOLETE	BRASS, TIN LEAD	NYLON, 94V-0, WHITE	794078-1
PIN CONTACT MATERIAL AND FINISH		HOUSING MATERIAL AND COLOR	PART NUMBER

THIS DRAWING IS A CONTROLLED DOCUMENT.

DIMENSIONS: mm	TOLERANCES UNLESS OTHERWISE SPECIFIED:	DWG: K. WHITAKER 5-16-95	CHK: R. SWING 5-16-95	APPROVED: R. ORSTAD 6-13-95	NAME: R. ORSTAD
0 PLC ± -	1 PLC ± -	PRODUCT SPEC			
2 PLC ± 0.13	3 PLC ± -	APPLICATION SPEC			
4 PLC ± -	ANGLES ± -	SIZE: A1	CODE: 00779	DRAWING NO: 794078	RESTRICTED TO: -
MATERIAL: SEE TABLE	FINISH: SEE TABLE	WEIGHT: -	SCALE: 5:1	SHEET: 1 OF 1	REV: F1

CUSTOMER DRAWING