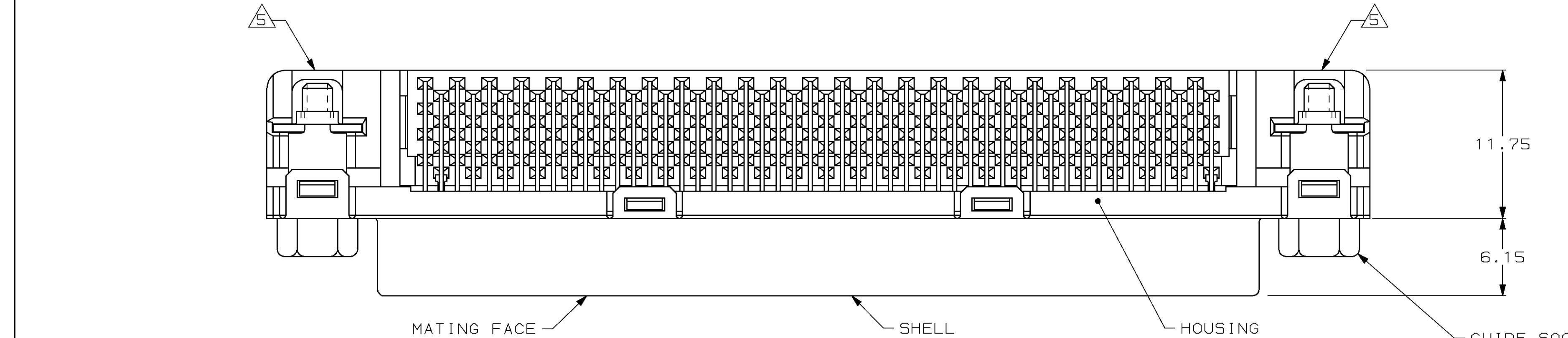
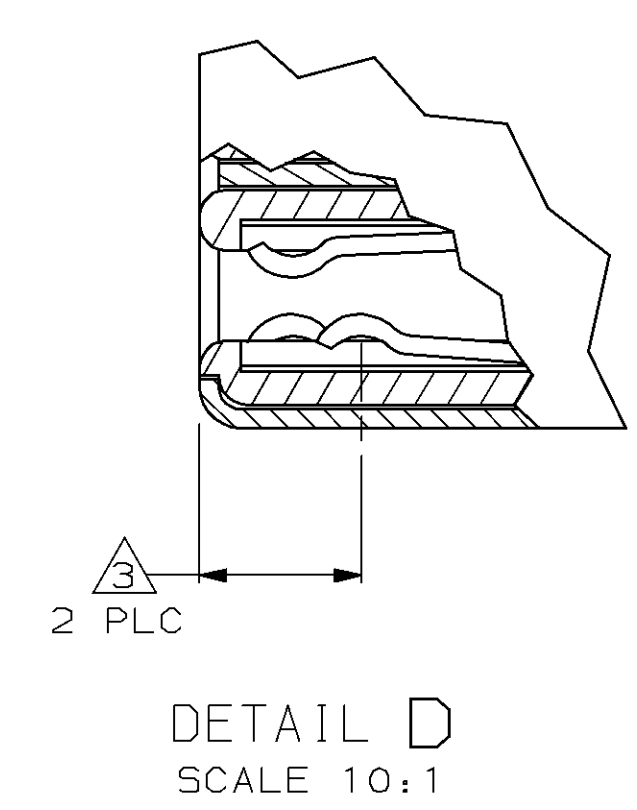
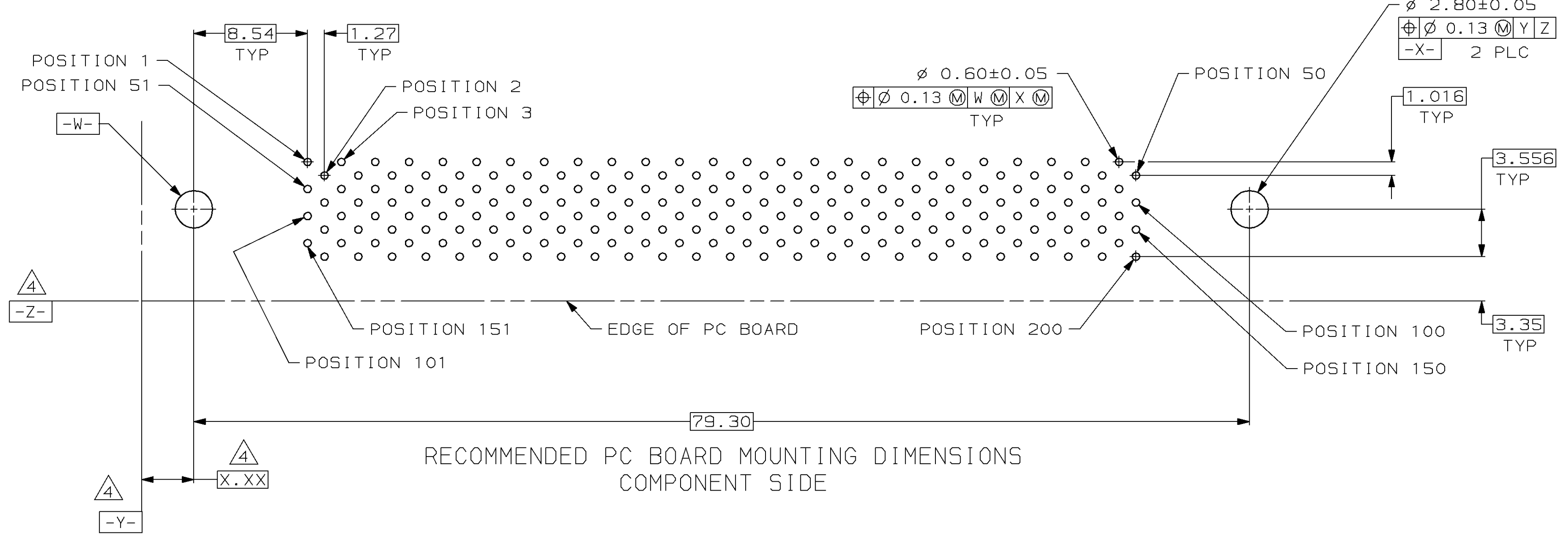
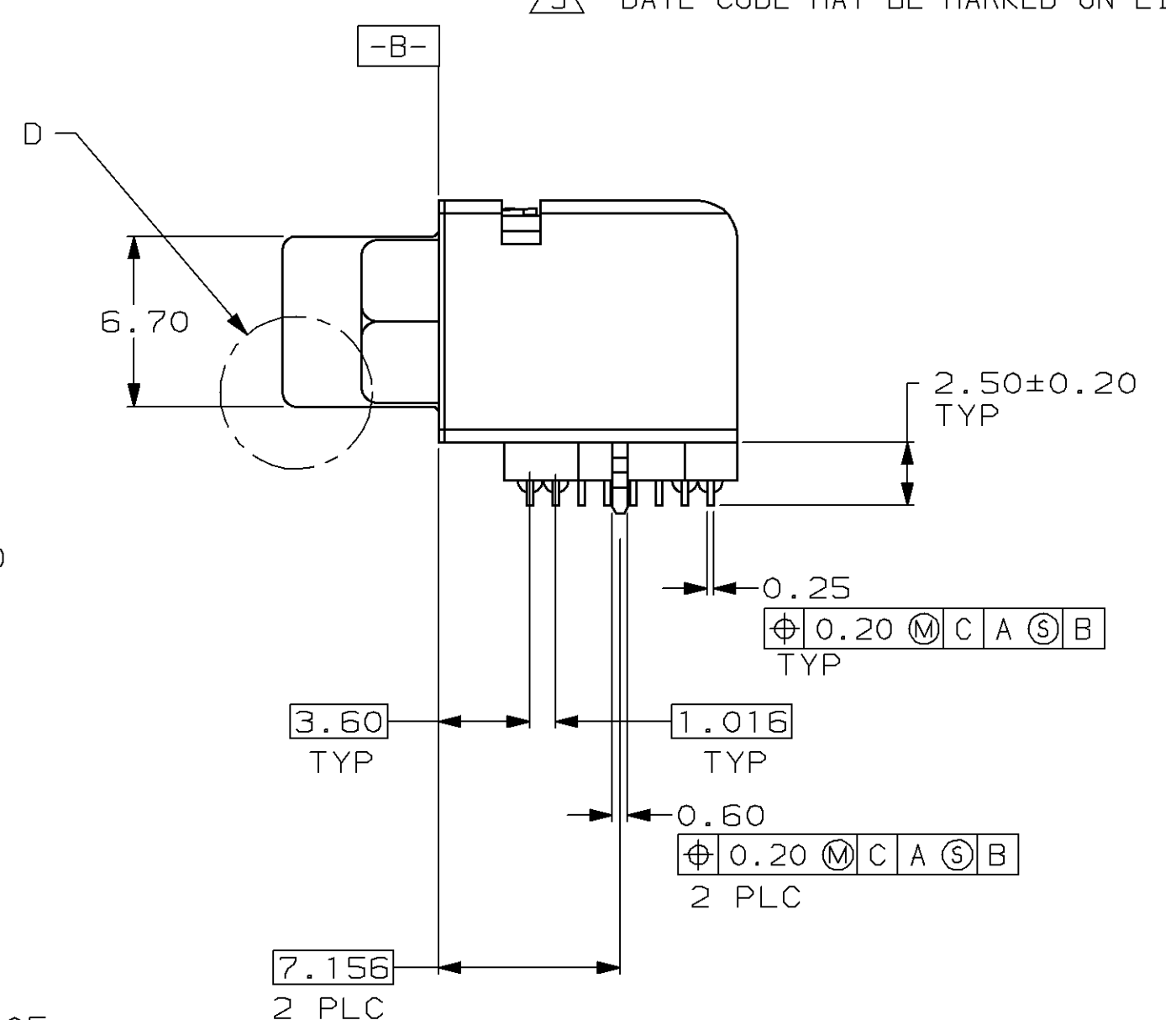
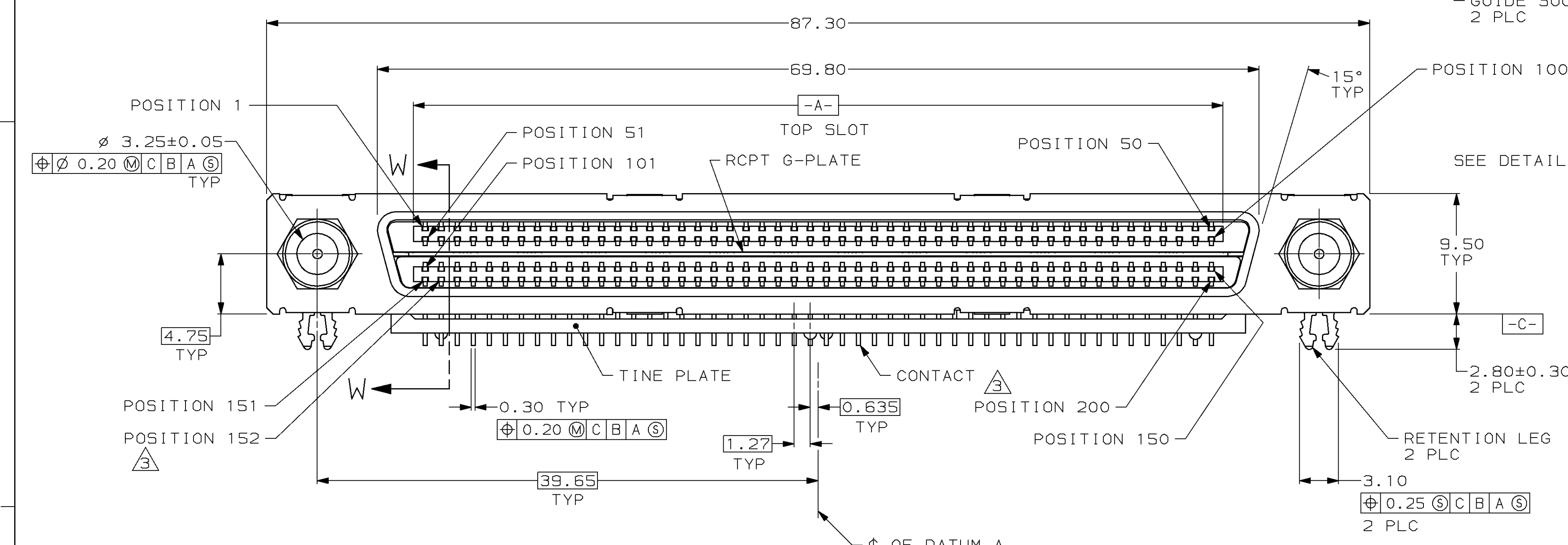


LOC		REV		REVISIONS			
AR	84	P	LR	DESCRIPTION	DATE	DMN	APVO
		0		RELEASED PER NPR 5572	01 AUG 96	-	-
		A		REV PER EC 0410-186-97	13 MAY 97	CD	JM
		B		REV PER EC 0410-434-97	11 NOV 97	CD	JM



- ① HOUSING AND TINE PLATE: POLYESTER, NATURAL.
CONTACTS: PHOSPHOR BRONZE.
SHELL: CARBON STEEL.
RCPT G-PLATE: STAINLESS STEEL.
GUIDE SOCKET AND RETENTION LEG: BRASS.
- ② CONTACTS: 0.76µm MIN GOLD FOR A LENGTH OF 1.10 MIN FROM MATING END, 2.54 MIN TIN-LEAD FOR A LENGTH OF 2.80 MIN FROM OPPOSITE END, BOTH OVER 1.27µm MIN NICKEL.
SHELL: 3.00µm MIN NICKEL OVER 1.30µm MIN COPPER.
RETENTION LEG: 2.00µm MIN TIN-LEAD OVER 1.00µm MIN NICKEL.
GUIDE SOCKET: NICKEL OVER COPPER.
- ③ CONTACTS 152 AND 200, ARE SEQUENCED AWAY FROM MATING FACE.
- ④ DATUMS AND BASIC DIMENSIONS ESTABLISHED BY CUSTOMER.
- ⑤ DATE CODE MAY BE MARKED ON EITHER END.



787883-1
PART NUMBER

THIS DRAWING IS A CONTROLLED DOCUMENT.		DMN C. DORWART	01 AUG 96	AMP Incorporated Harrisburg, PA 17105-3508
		CHK J. MOSIER	02 OCT 96	
		APPD J. MOSIER	02 OCT 96	NAME RECEPTACLE ASSEMBLY, 200 POSITION, RIGHT ANGLE, .050, CHAMP™
		PRODUCT SPEC	-	
		APPLICATION SPEC	-	SIZE A1
		WEIGHT	-	
		CUSTOMER DRAWING	SCALE 4:1	SHEET 1 OF 1