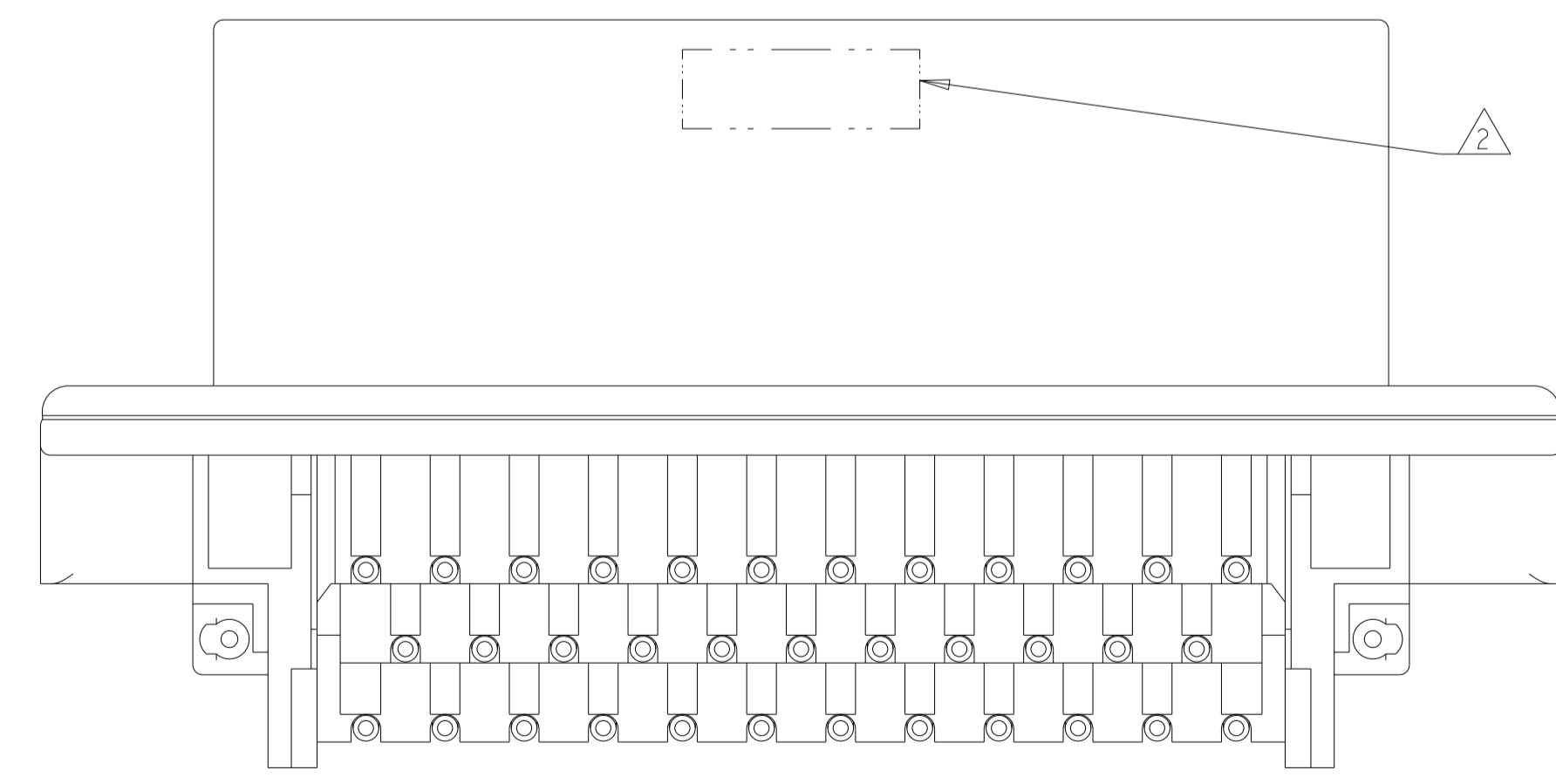
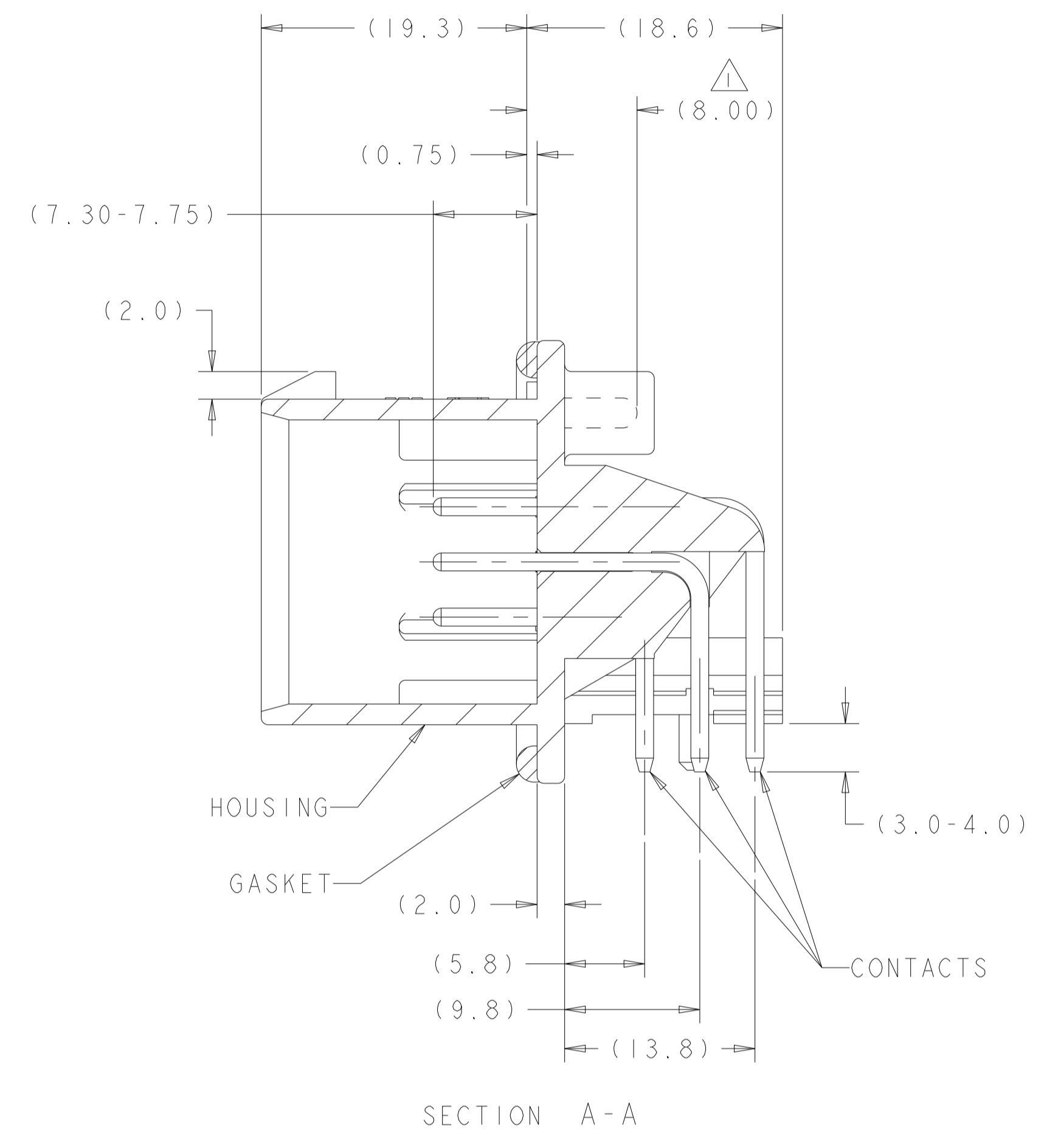
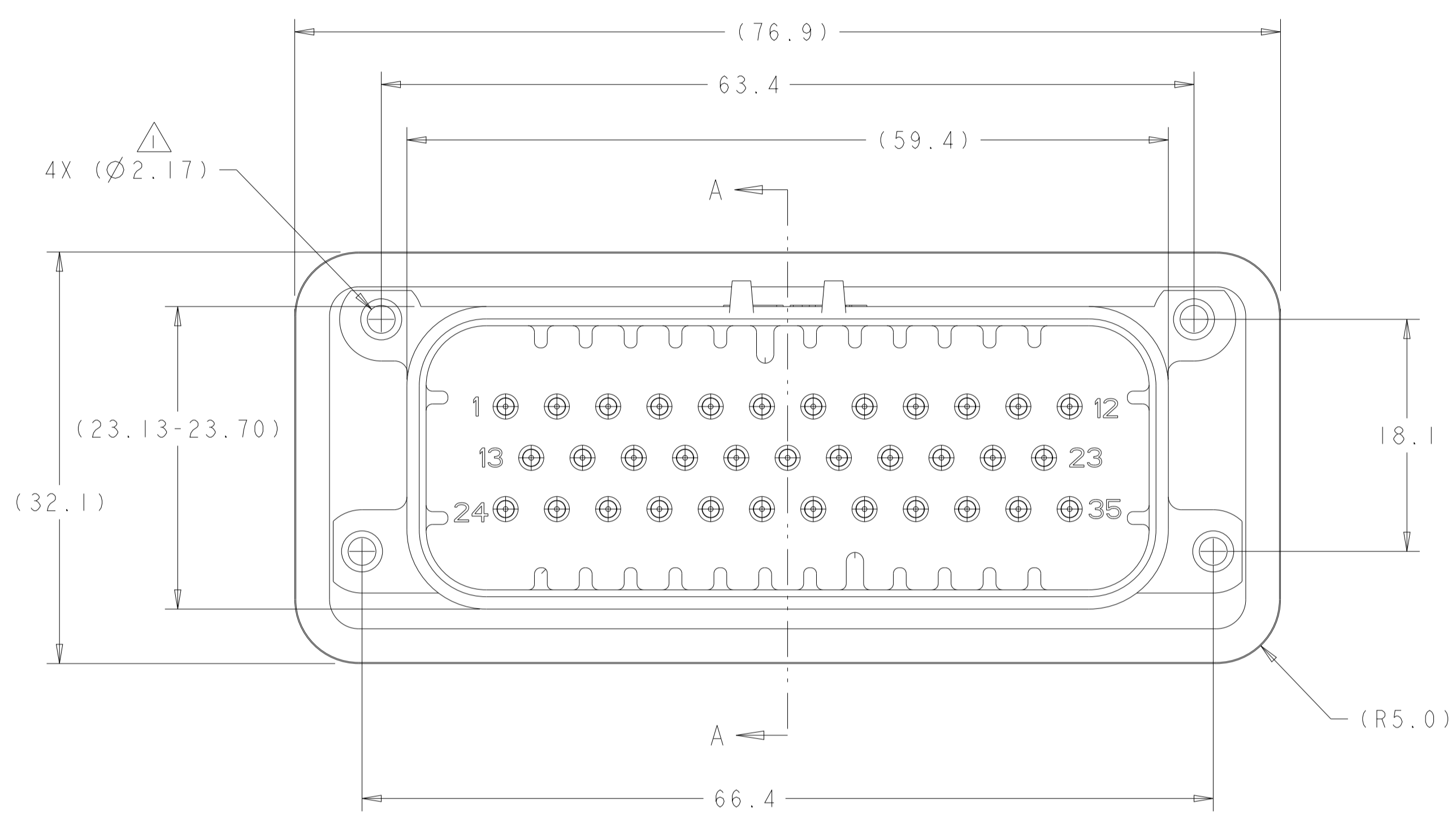


REVISIONS				
P	LTN	DESCRIPTION	DATE	APP'D
J9		REV PER ECO-19-009419	19JUN2019	DS DS
J10		REV PER ECO-20-004256	25MAR2020	JM DS
J11		REVISED PER PCN E-20-016603	24NOV2020	PN DS
K		REVISED PER ECR-22-153179	18OCT2022	DK CB

- ⚠ SUGGESTED MOUNTING SCREW SIZE IS $\varnothing 2.50-3.00\text{mm}$ [$\varnothing 0.099 - 0.118$ INCH] SELF TAPPING THREAD FORMING SCREW, SUCH AS DELTA PT, TO BE DRIVEN AT 0.6-0.8 N-m. THE CUSTOMER SHOULD TEST THE SCREW SIZE AND TYPE IN ORDER TO VERIFY THEIR SELECTION FOR THEIR APPLICATION
- ⚠ DATE CODE IN THIS LOCATION USING 5 DIGIT CODE. FIRST 2 DIGITS = YEAR, SECOND 2 DIGITS = WEEK, LAST DIGIT = DAY
- ⚠ HOUSING COLORS ARE MECHANICALLY KEYED TO MATE ONLY WITH IDENTICALLY COLORED PLUG ASSEMBLIES.
- ⚠ MATERIAL: HEADER HOUSING - GLASS FILLED PBT
PINS - TIN OR GOLD PLATED BRASS
GASKET - SILICONE
- 5. HEADER MATES TO PLUG ASSEMBLY 776164 WHICH USES REELED TERMINAL 770520 OR LOOSE PIECE TERMINAL 770854

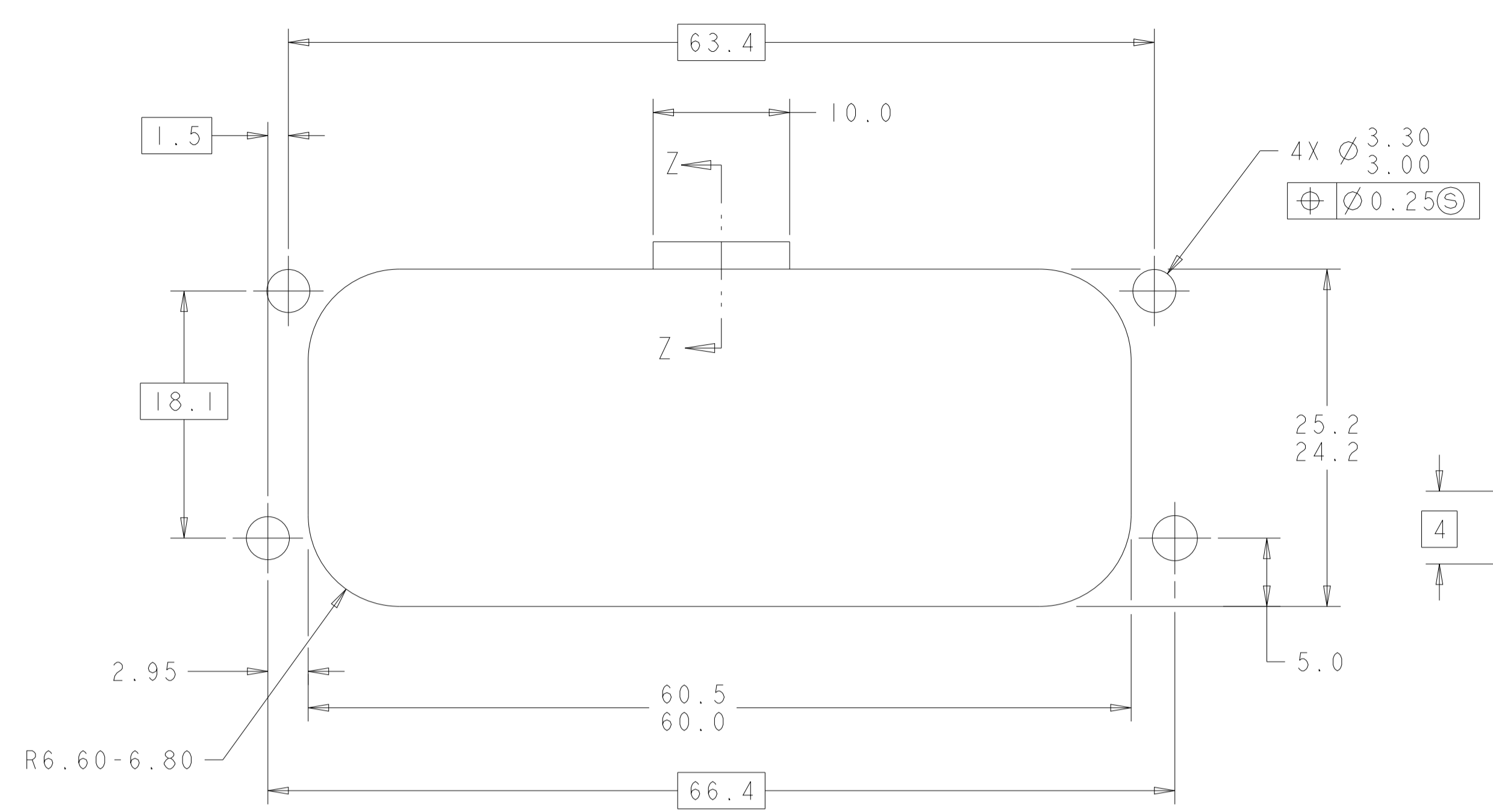


776163-1 & 1-776163-1
 KEY LOCATION AS SHOWN

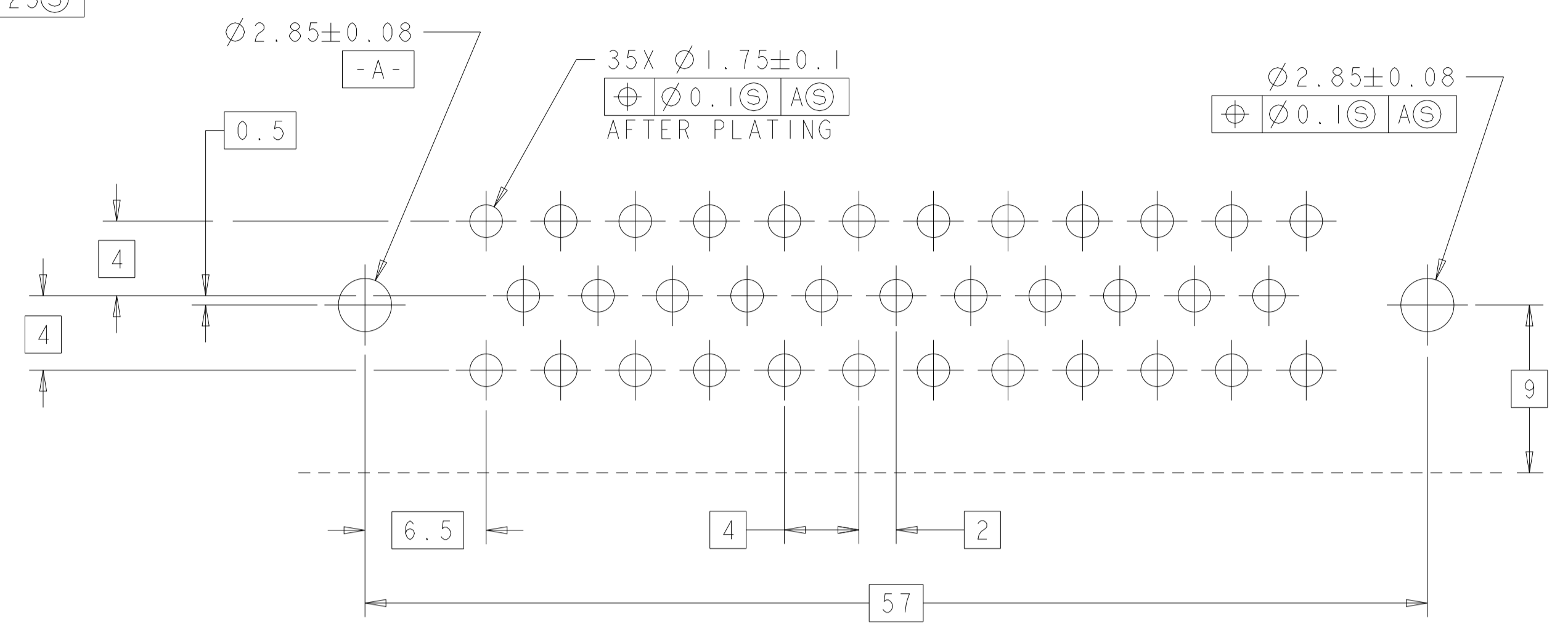
GOLD	ORANGE	1-776163-6
GOLD	BLUE	1-776163-5
GOLD	GRAY	1-776163-4
GOLD	NATURAL (WHITE)	1-776163-2
GOLD	BLACK	1-776163-1
TIN	BLUE	776163-5
TIN	GRAY	776163-4
TIN	NATURAL (WHITE)	776163-2
TIN	BLACK	776163-1
FINISH	HEADER COLOR	PART NUMBER

THIS DRAWING IS A CONTROLLED DOCUMENT.		OWN R. VESTAL 31DEC2002	NAME	
DIMENSIONS:		CHK D. CROWE 31DEC2002	TE Connectivity	
TOLERANCES UNLESS OTHERWISE SPECIFIED:		APP'D D. CROWE 31DEC2002	HEADER ASSEMBLY, 35 POSITION, RIGHT ANGLE, AMPSEAL	
mm	0 PLC ±	PRODUCT SPEC	SIZE	RESTRICTED TO
	1 PLC ±0.2	108-1329	A100779	
	2 PLC ±	APPLICATION SPEC	C=776163	
	3 PLC ±	114-16016	SCALE	SHEET
	4 PLC ±	WEIGHT	4:1	1 OF 2
	ANGLES ±	40.45g		REV
	FINISH	CUSTOMER DRAWING		K

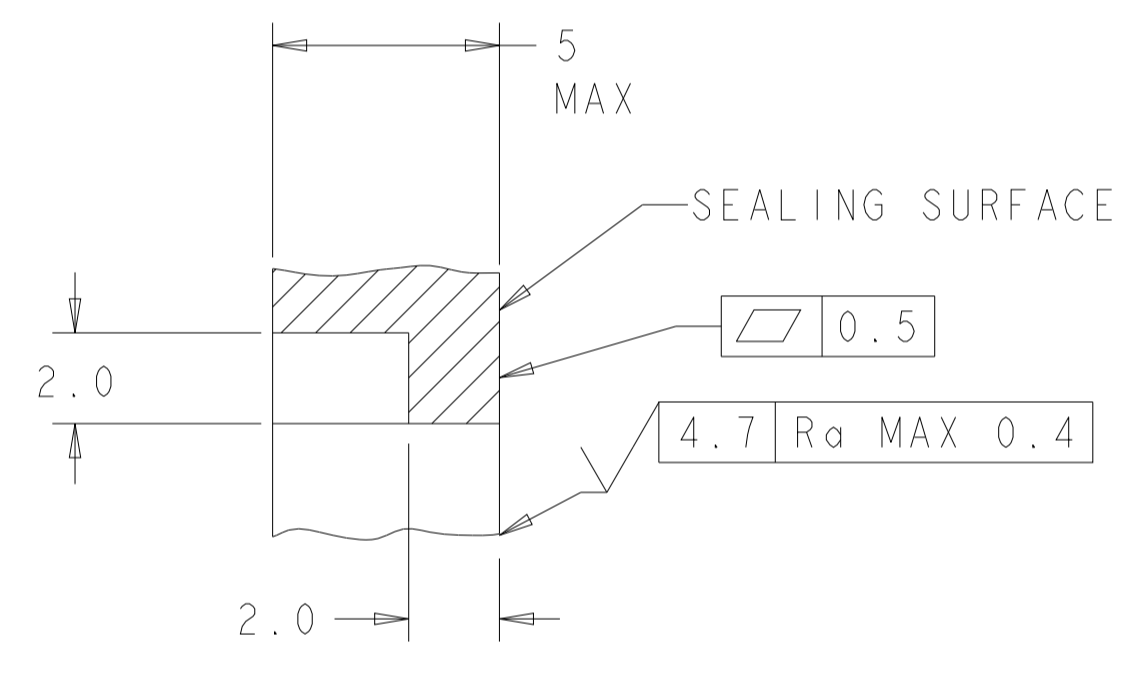
REVISIONS				
P	LTN	DESCRIPTION	DATE	APVD
-	-	SEE SHEET 1	-	-



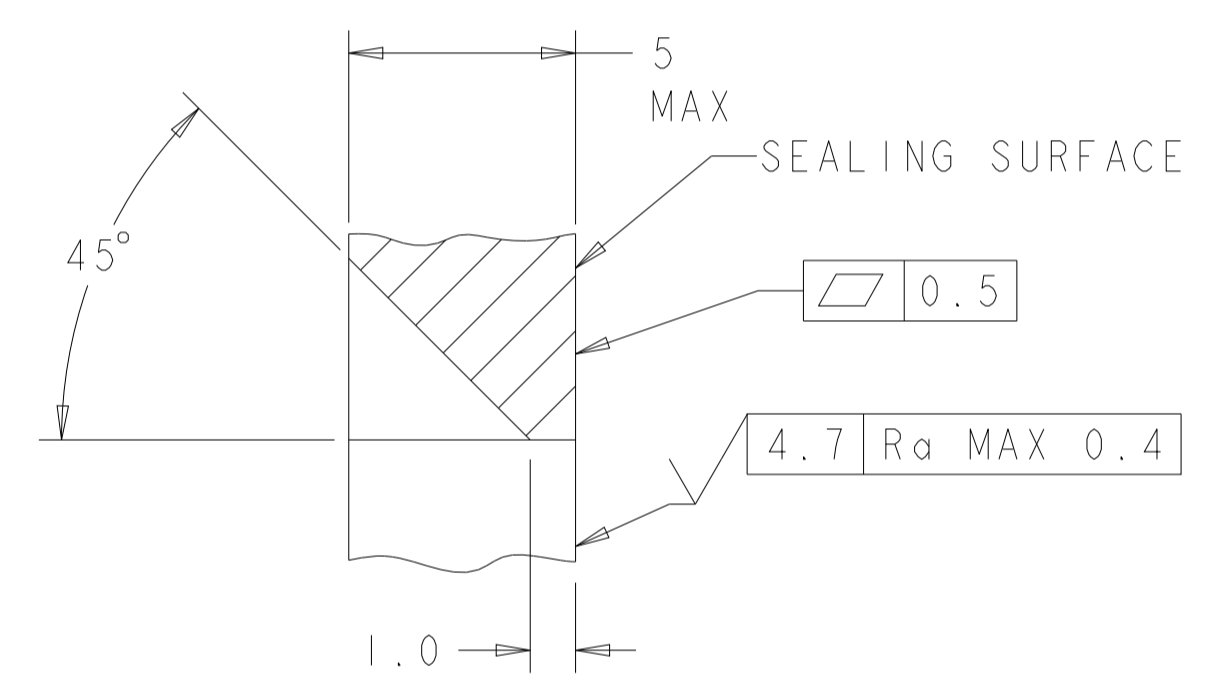
RECOMMENDED MOUNTING HOLE LAYOUT FOR 5.0 MAX THICK PANEL



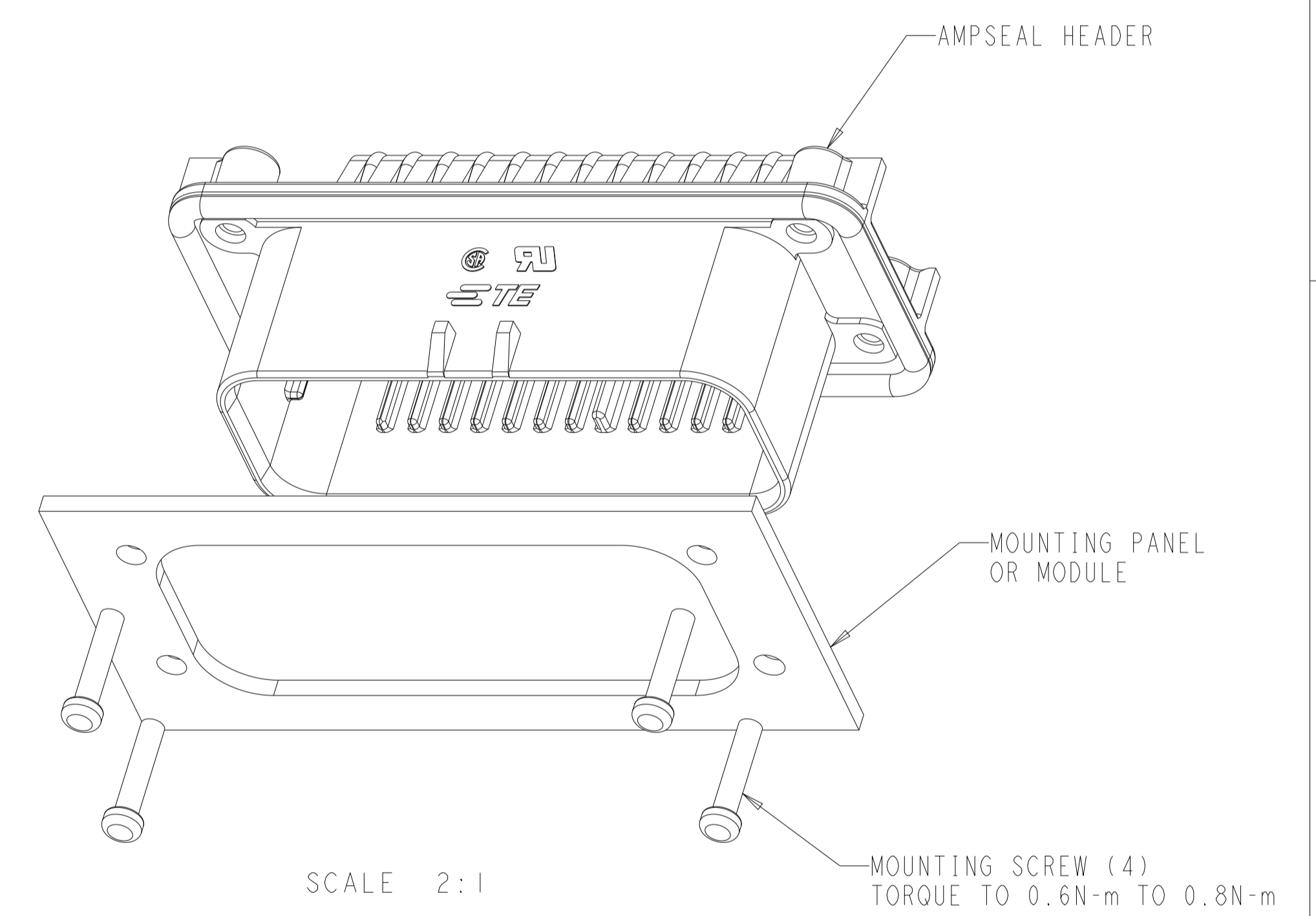
RECOMMENDED P.C. BOARD LAYOUT FOR 1.57 THICK P.C. BOARD



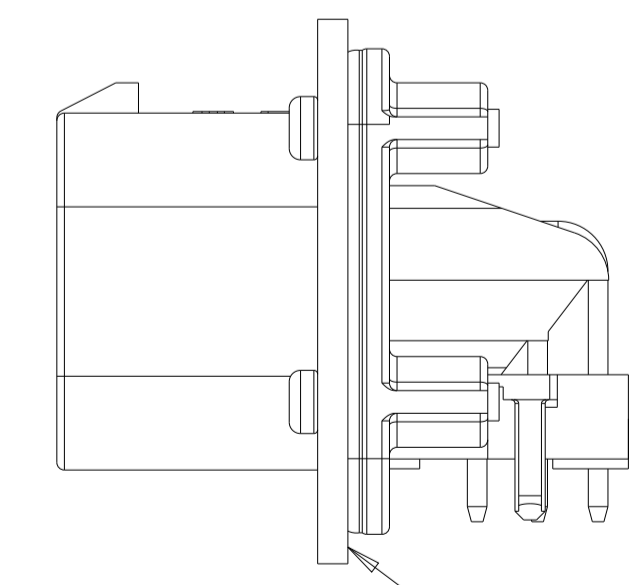
SECTION Z-Z
 OPTIONAL CONSTRUCTION IF
 THICKNESS IS GREATER THAN 2.0
 SCALE 6:1



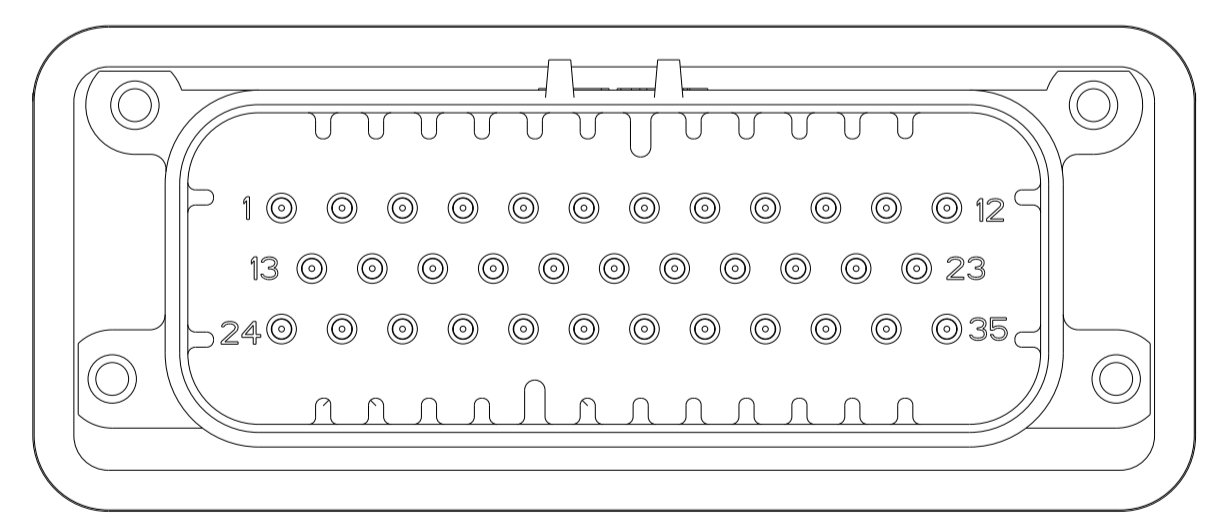
SECTION Z-Z
 OPTIONAL CONSTRUCTION IF
 THICKNESS IS GREATER THAN 2.0
 SCALE 6:1



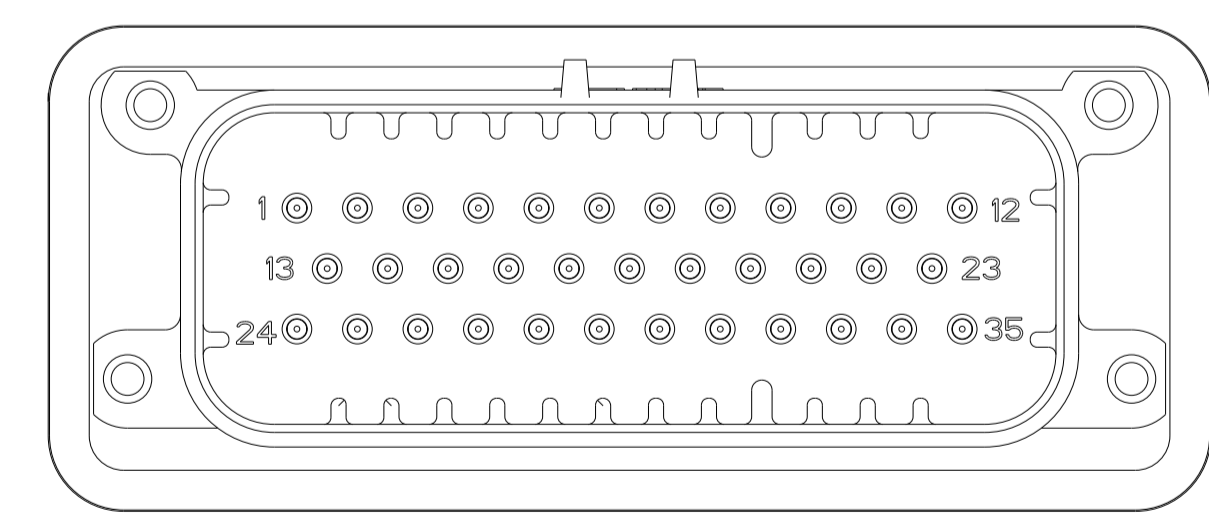
SCALE 2:1



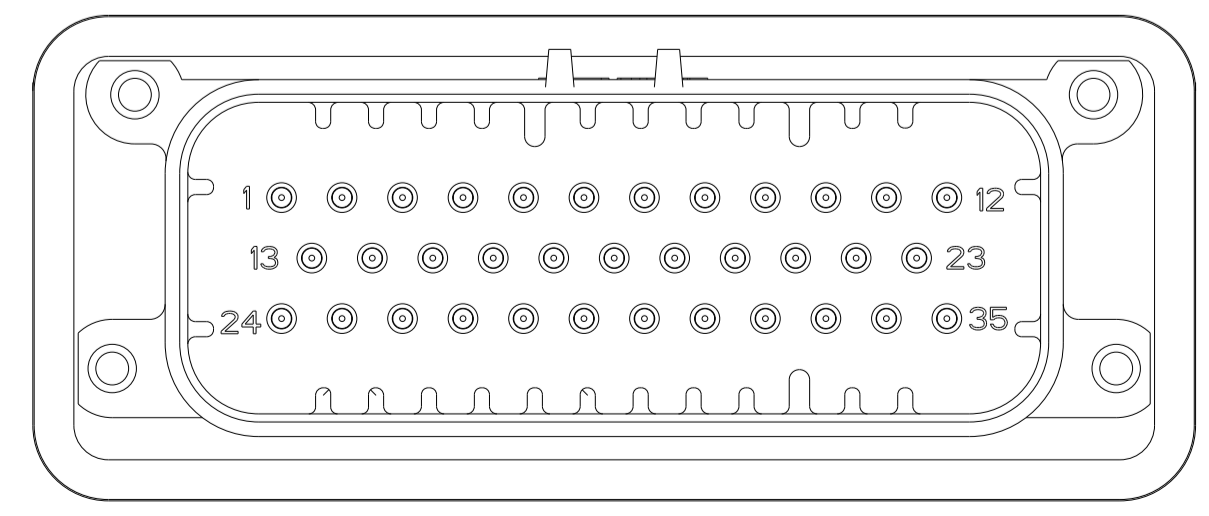
SCALE 2:1



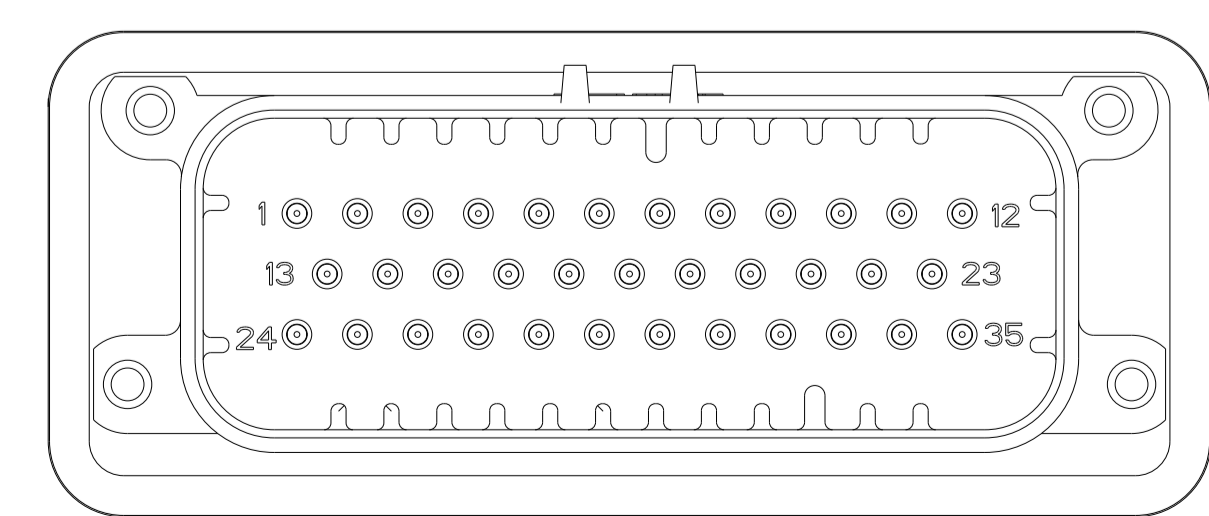
776163-2 & 1-776163-2
 KEY LOCATION AS SHOWN
 SCALE 2:1



776163-4 & 1-776163-4
 KEY LOCATION AS SHOWN
 SCALE 2:1



776163-5 & 1-776163-5
 KEY LOCATION AS SHOWN
 SCALE 2:1



1-776163-6
 KEY LOCATION AS SHOWN
 SCALE 2:1

THIS DRAWING IS A CONTROLLED DOCUMENT.		OWN R. VESTAL 31DEC2002	TE Connectivity
DIMENSIONS:		CHK D. CROWE 31DEC2002	
TOLERANCES UNLESS OTHERWISE SPECIFIED:		APVD D. CROWE 31DEC2002	
0 PLC ± 1 PLC ±0.2 2 PLC ± 3 PLC ± 4 PLC ± ANGLES ± FINISH ±		NAME	
MATERIAL		PRODUCT SPEC 108-1329	HEADER ASSEMBLY, 35 POSITION, RIGHT ANGLE, AMPSEAL
		APPLICATION SPEC 114-16016	RESTRICTED TO
		WEIGHT 40.45g	SIZE CAGE CODE DRAWING NO. A100779C=776163
		CUSTOMER DRAWING	SCALE 4:1 SHEET 2 OF 2 REV K