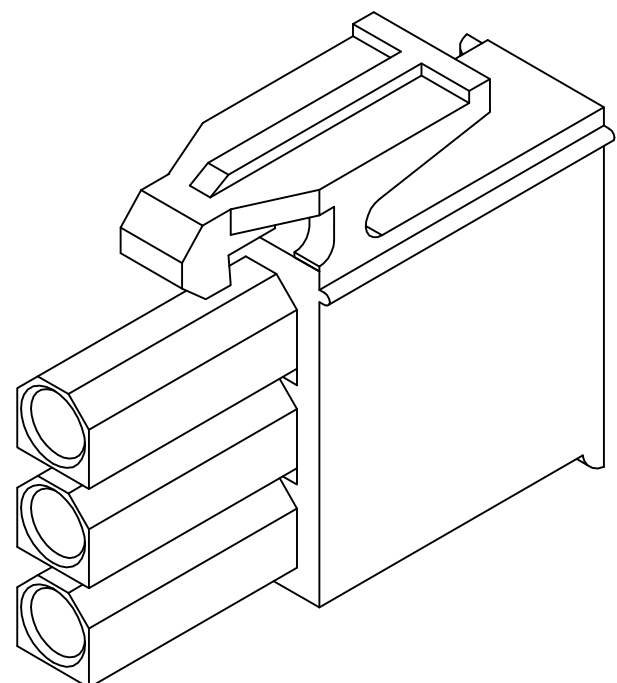
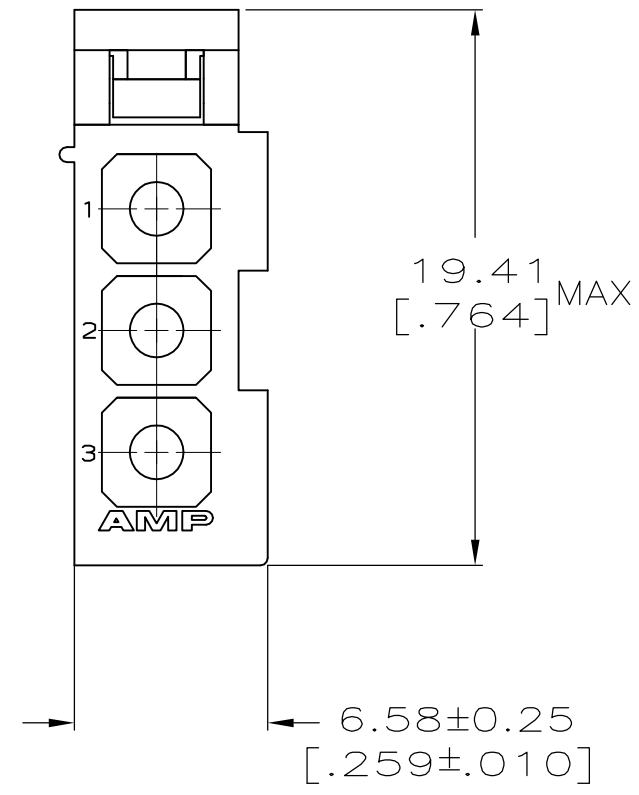
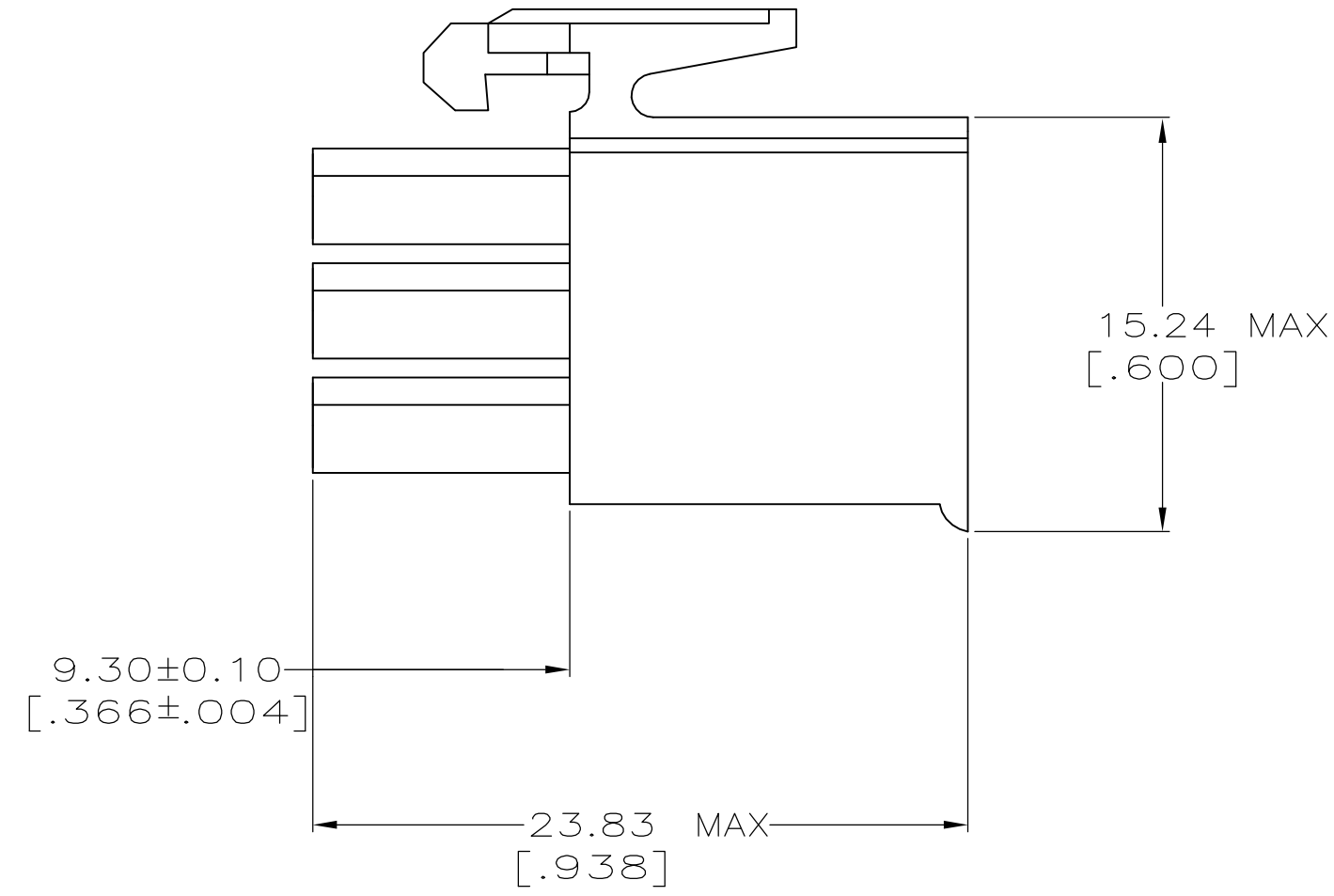
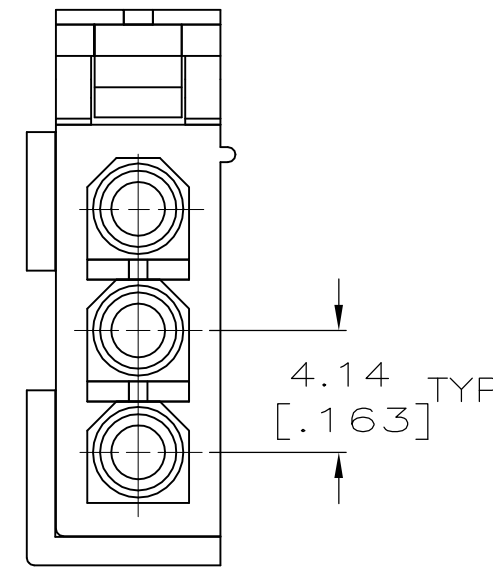


LOC	DIST	P	F	REVISIONS				
CM	53			ZONE	LTR	DESCRIPTION	DATE	APPD
					C	REVISED PER ECR-15-001266	02MAR15	SC
								KD

1. DIMENSIONS IN BRACKETS ARE IN INCHES.



3-DIMENSIONAL MODEL
NTS

METRIC

DO NOT SCALE PRINT. UNLESS SPECIFIED		DR 5-29-91 T. BECK		770847-1	
DIMENSIONS IN mm [INCHES]		CHK 5-29-91 R. SWING		PART NO	
TOLERANCES ON :		APPD 5-29-91 L. PURSER		AMP INCORPORATED Harrisburg, Pa. 17105	
2 PLC DEC ± -		APPD 5-29-91 L. PURSER		NAME	
3 PLC DEC ± 0.13 [.005]		PRODUCT SPEC		PLUG, 3 CIRCUIT, MINI UNIVERSAL MATE-N-LOK™	
ANGLES ± -		APPLICATION SPEC		SIZE	
MATERIAL		WEIGHT		CAGE CODE	
NYLON, UL 94V-0 WHITE		-		00779	
FINISH		SCALE		DRAWING NO	
-		4:1		770847	
				SHEET	
				10F 1	

CUSTOMER DRAWING