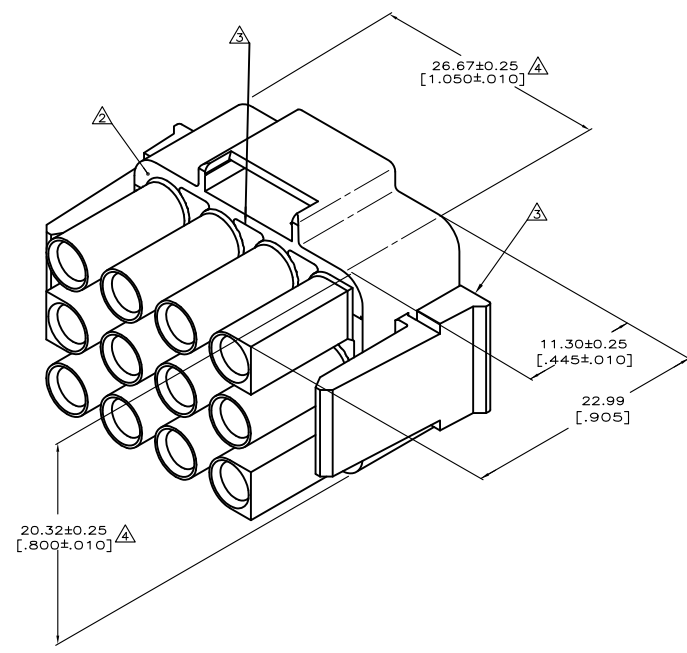


THIS DRAWING IS UNPUBLISHED. RELEASED FOR PRODUCTION. ALL RIGHTS RESERVED.

REVISIONS			
REV	DATE	BY	APPD
G1	REV.ECO 17-011267	HC	KR



- 1. MUST BE ASSEMBLED WITH PLUG REAR P/N 770042-1 BEFORE MATING. KIT P/N IS 770022-1.
- △ AMP LOGO LOCATED THIS SURFACE.
- △ NEW MOLD CONSTRUCTION PROVIDES MATERIAL REDUCTION CORING AT BASE OF SILOS WITH NO CORING AS OPTIONAL.
- △ DIMENSION INDICATED IS AS MOLDED. ADDITIONAL GROWTH DUE TO SUBSEQUENT MOISTURE ABSORPTION MAY OCCUR.
- 5. DIMENSIONS IN BRACKETS ARE IN INCHES.
- △ CSA LOGO LOCATED APPROXIMATELY AS SHOWN

770041-1
PART NUMBER



THIS DRAWING IS A CONTROLLED DOCUMENT.		BY: K. SALMON 1-18-02	TE Connectivity
DIMENSIONS: INCHES		DR: P. SWING 1-18-02	
NOTES:		APP: W. TRULL 1-18-02	NAME: PLUG FRONT, 12 CIRCUIT, UNIVERSAL MATE-N-LOK™ II
0 P/C	±	PRODUCT SPEC	SIZE: A1
1 P/C	±	APPLICATION SPEC	CAGE CODE: 100779
2 P/C	± 0.13 [.005]	WIDTH	DRAWING NO: 770041
3 P/C	±	CUSTOMER DRAWING	RESTRICTED TO: G1
MATERIAL: NYLONUL94-0	FINISH: -	SCALE: 5:1	SHEET: 1 OF 1