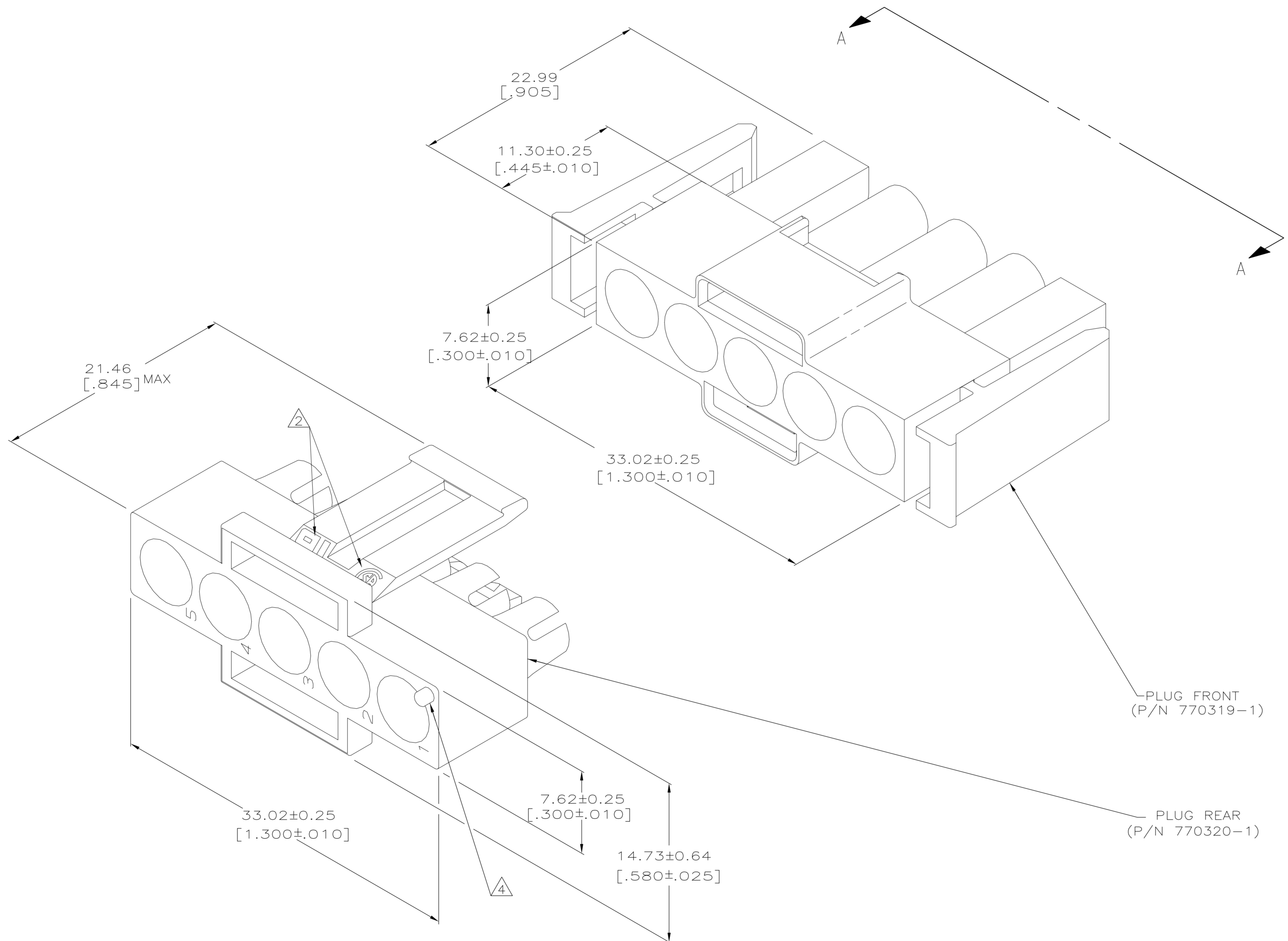
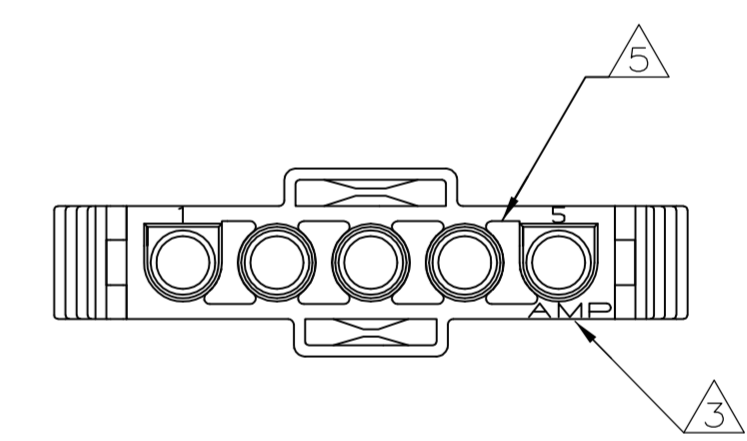


REVISIONS				
P	LTR	DESCRIPTION	DATE	OWN APVD
E1		REVISED PER ECO-17-009556	03JUL2017	RS SW



- 1. BULK PACKAGED, UNASSEMBLED.
- 2. APPROVAL AGENCY LOGO LOCATED APPROXIMATELY AS SHOWN.
- 3. AMP LOGO LOCATED THIS SURFACE.
- 4. CIRCUIT NUMBER ONE IDENTIFICATION BUTTON AND CIRCUIT IDENTIFICATION NUMBERS ARE EACH LOCATED ADJACENT TO THE APPROPRIATE CIRCUIT CAVITIES.
- 5. NEW MOLD CONSTRUCTION PROVIDES MATERIAL REDUCTION CORING AT BASE OF SILOS WITH NO CORING AS OPTIONAL.
- 6. DIMENSIONS SHOWN REPRESENT PRODUCT IN DRY, AS MOLDED CONDITION. ADDITIONAL 2% GROWTH DUE TO SUBSEQUENT MOISTURE ABSORPTION MAY OCCUR AND SHOULD BE ACCOUNTED FOR



VIEW A-A
SCALE 2:1

PLUG FRONT
(P/N 770319-1)

PLUG REAR
(P/N 770320-1)

770016-1
PART NUMBER

METRIC

THIS DRAWING IS A CONTROLLED DOCUMENT.		DWG: K. SALMON 1-22-92	TE Connectivity	
DIMENSIONS: INCHES		CHK: R. SWING 1-22-92	NAME: PLUG HOUSING KIT, 5 CIRCUIT, IN-LINE, UNIVERSAL MATE-N-LOK	
TOLERANCES UNLESS OTHERWISE SPECIFIED:		APVD: -	PRODUCT SPEC: -	
0. PLC	± -	APPLICATION SPEC: -		
1. PLC	± -	SIZE: A1		
2. PLC	± -	CAGE CODE: 00779		
3. PLC	± 0.13 [.005]	DRAWING NO: 770016		
4. PLC	± -	RESTRICTED TO: -		
ANGLES	± -	WEIGHT: 0.000000		
MATERIAL: NYLON,UL94V-0,	FINISH: -	CUSTOMER DRAWING		
		SCALE: 5:1		SHEET: 1 of 1
				REV: E1