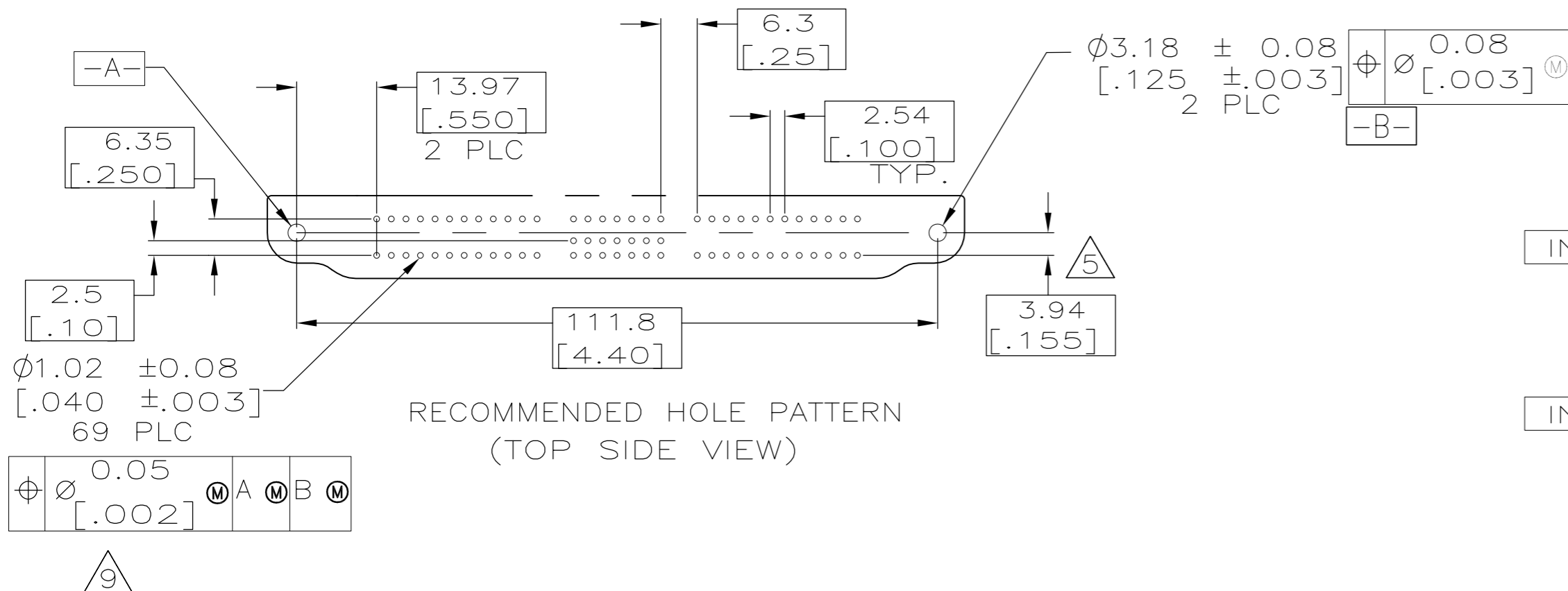
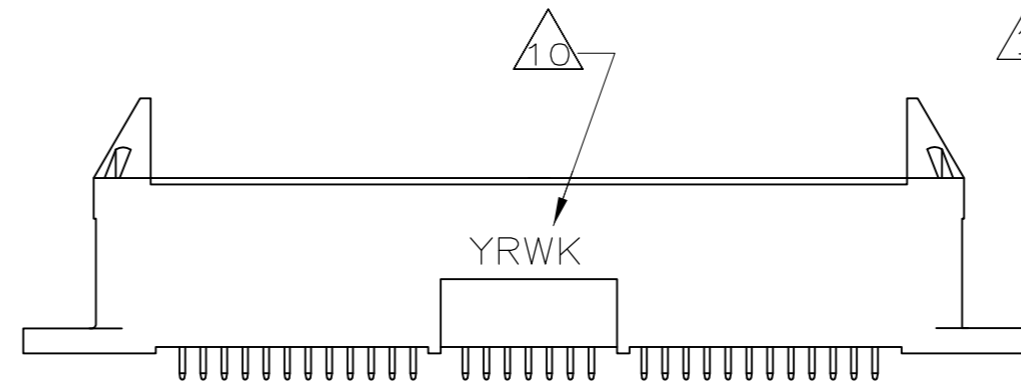
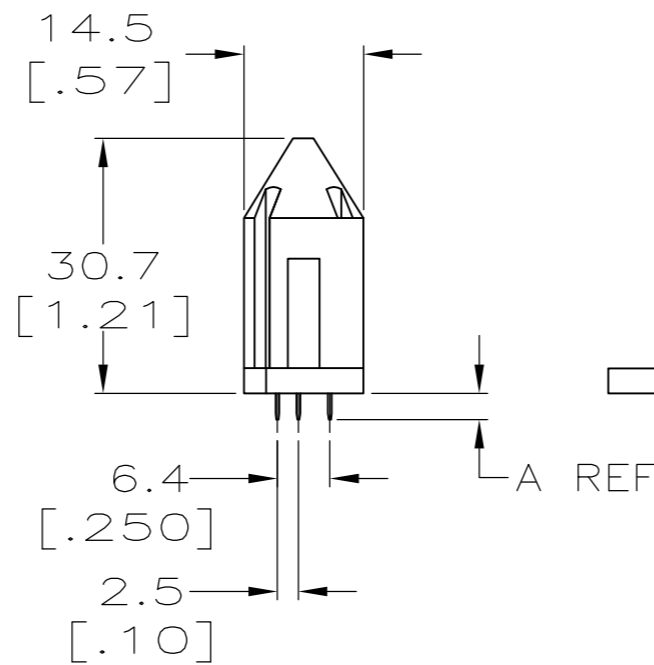
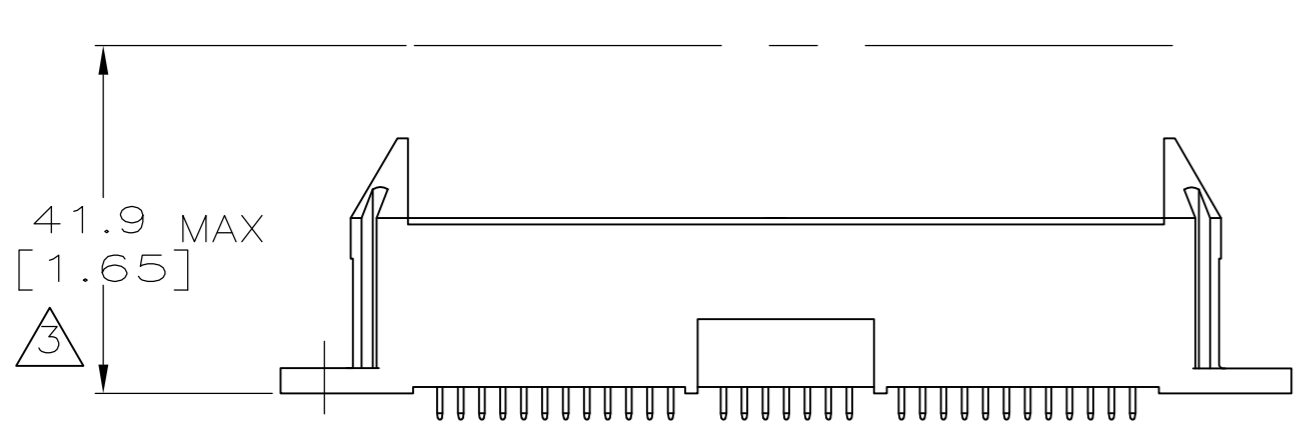
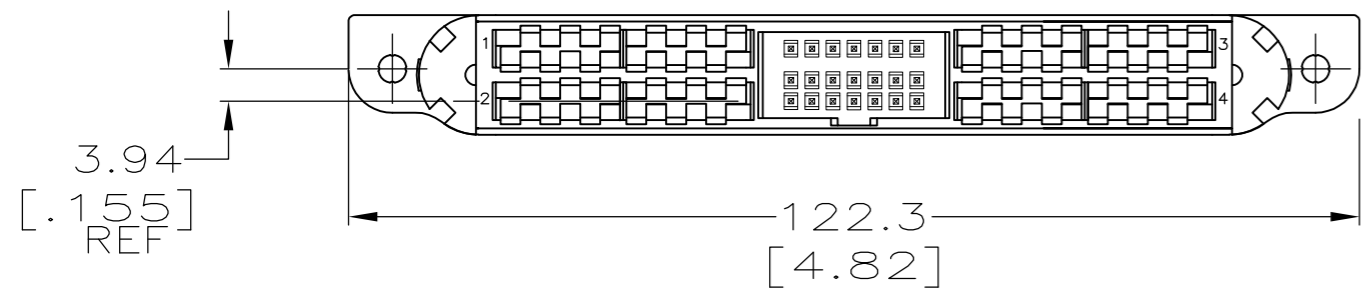


THIS DRAWING IS UNPUBLISHED. RELEASED FOR PUBLICATION
 © COPYRIGHT BY TYCO ELECTRONICS CORPORATION. ALL RIGHTS RESERVED.

LOC		DIST		REVISIONS			
P	LTR	DESCRIPTION	DATE	DWN	APVD		
GP	00	N	REV PER ECO-10-021237	20JAN2011	RG	MS	

AMPOWER and ACTION PIN are registered trademarks of AMP Incorporated.

- 1 FINISH— POWER CONTACTS— SILVER.
SENSE CONTACTS— GOLD ON MATING END
- 2. MOUNTING HARDWARE, 2 #4-40 SCREWS AND NUTS OR 2 EYELETS (P/N 748572-2) ARE REQUIRED.
- 3 HEIGHT OF MATED ASSEMBLY.
- 4. FOR WAVE SOLDERING APPLICATIONS ONLY.
- 5 MOUNTING HOLES OFFSET FROM PART CL BY .76 [.030].
- 6 WITH ACTION PIN TAILS.
- 9 HOLE DIAMETER AFTER PLATING.
- 10 ADD 2-DIGIT YEAR AND 2-DIGIT WEEK CODE IN A CONTRASTING COLOR OF INDELIBLE INK, .13" CHARACTER HEIGHT APPROX AS SHOWN (NOTE CONDUCTOR 1 & 3 SIDE OF HOUSING).



THERMOPLASTIC, 94V-0
 POLYESTER
 POLYESTER HIGH-TEMP
 CONTACTS— COPPER ALLOY

MATERIAL	"A" DIM.	DESCRIPTION	PART NUMBER
INACTIVE	7.52 [.296]	6.35 [.250] THK PCB	765265-9
	5.74 [.226]	4.75 [.187] THK PCB	765265-8
	3.96 [.156]	3.18 [.125] THK PCB	765265-7
	3.10 [.122]	1.57-2.36 [.062-.093] THK PCB	765265-6
	- - -	2.36 [.093] AND THICKER PCB'S	765265-5
INACTIVE	7.52 [.296]	6.35 [.250] THK PCB	765265-4
	5.74 [.226]	4.75 [.187] THK PCB	765265-3
	3.96 [.156]	3.18 [.125] THK PCB	765265-2
	3.10 [.122]	1.57-2.36 [.062-.093] THK PCB	765265-1

THIS DRAWING IS A CONTROLLED DOCUMENT.		DWN D. SZCZESNY 05-15-91	Tyco Electronics Corporation Harrisburg, PA 17105-3608	
DIMENSIONS: mm [INCHES]		CHK DAB 05-15-91	NAME AMPOWER Wave Crimp System HEADER ASSEMBLY, VERTICAL, SELF-ALIGNING, 21 SIGNAL LINE	
TOLERANCES UNLESS OTHERWISE SPECIFIED: 0 PLC ± - 1 PLC ± - 2 PLC ± 0.50 [.01] 3 PLC ± 0.25 [.005] 4 PLC ± - ANGLES ± -		APVD -	PRODUCT SPEC 108-1319	RESTRICTED TO -
MATERIAL -		FINISH 1	APPLICATION SPEC 114-49005	SIZE A2
			WEIGHT -	CAGE CODE 00779
			CUSTOMER DRAWING	DRAWING NO C=765265
			SCALE 1:1	SHEET 1 OF 1
				REV N

CUSTOMER DRAWING