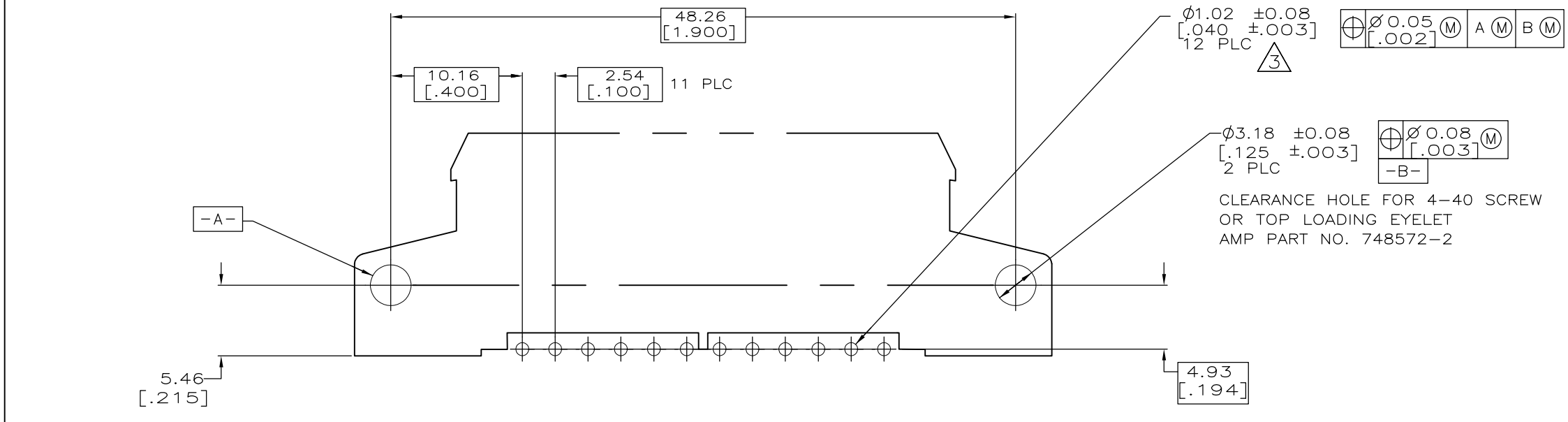
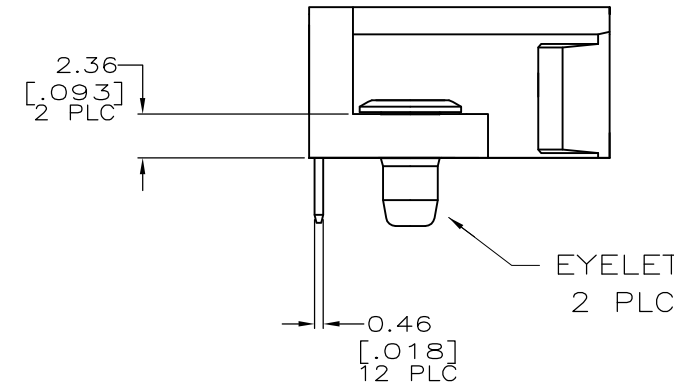
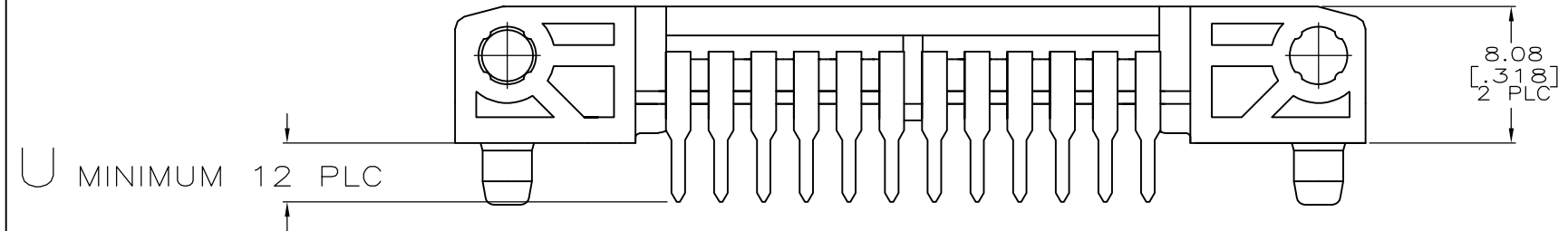
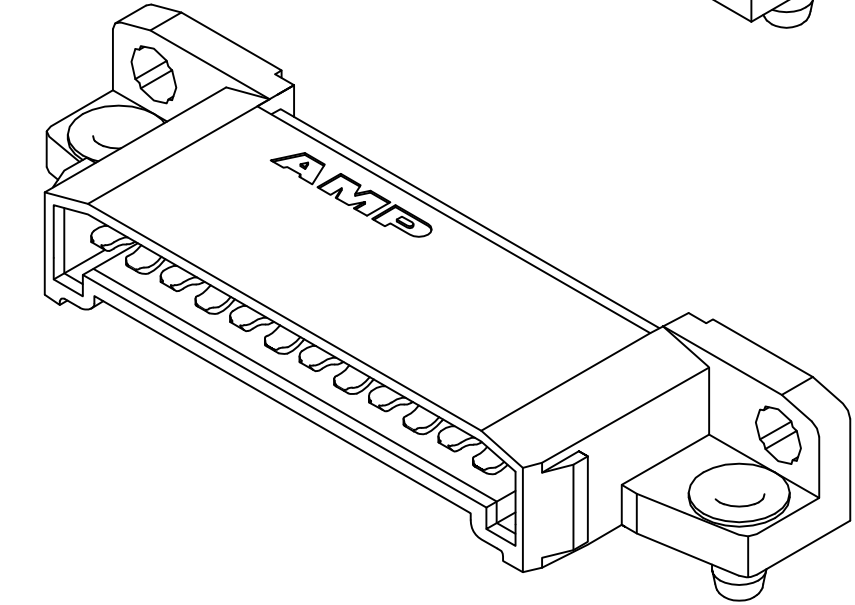
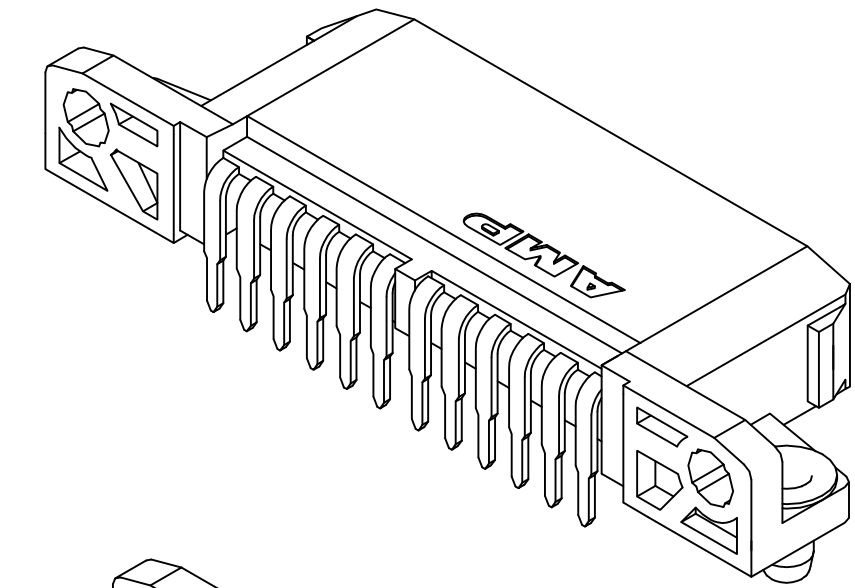
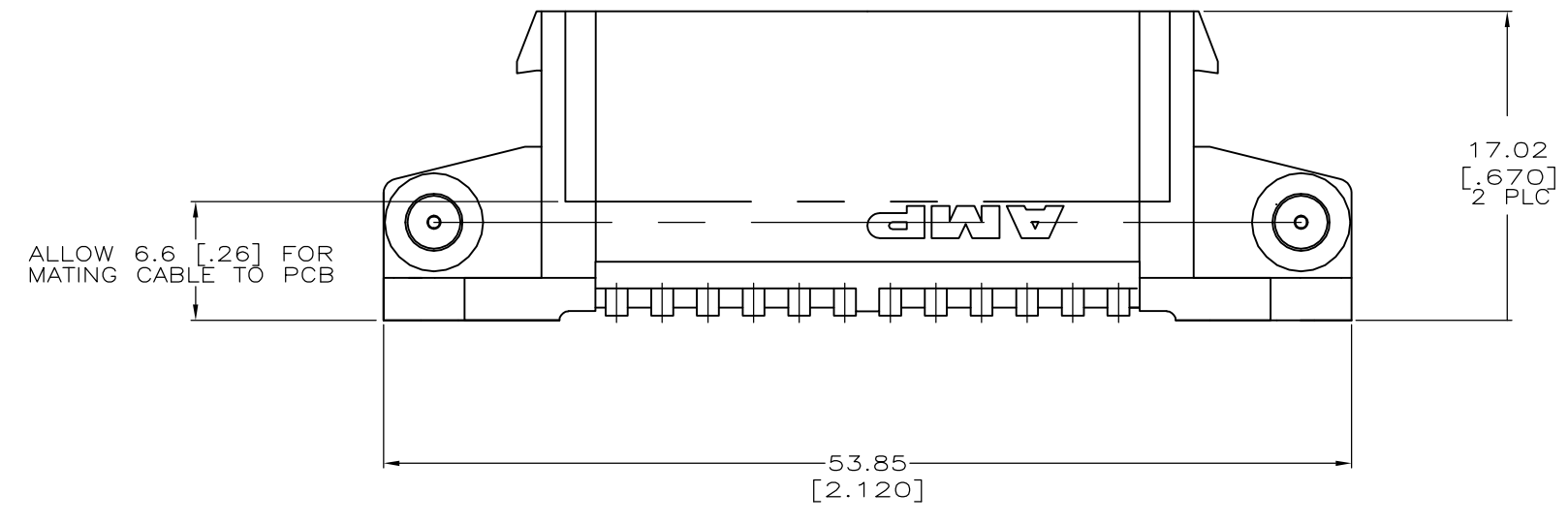


THIS DRAWING IS UNPUBLISHED. RELEASED FOR PUBLICATION  
 © COPYRIGHT BY TYCO ELECTRONICS CORPORATION ALL RIGHTS RESERVED.  
 BY TYCO ELECTRONICS CORPORATION. ALL RIGHTS RESERVED. AMP is a registered trademark of AMP Incorporated.

LOC	DIST	REVISIONS			
P	LTR	DESCRIPTION	DATE	DWN	APVD
GP	00	N	REV PER ECO-10-021237	19JAN2011	RG MS

3 HOLE DIAMETER AFTER PLATING.  
 4 PRODUCT AND PROCESSING MUST MEET REQUIREMENTS OF TYCO ELECTRONICS STANDARD 230-702.



RECOMMENDED PC BOARD LAYOUT  
 2.54 [0.100] CENTERLINES

MATERIAL: HOUSING: POLYESTER 1
POLYESTER - HIGH TEMP 2
CONTACT: COPPER ALLOY
FINISH: SILVER OVER NICKEL ALL OVER 5

PLC	WITH	W/O EYELETS	HEIGHT	SPACING	TYCO PART NO.
2			5.72 [0.225]	4.75 [0.187]	2-765204-2
2			4.19 [0.165]	3.17 [0.125]	2-765204-1
2			3.15 [0.124]	1.57 [0.062] TO 2.36 [0.093]	2-765204-0
5			5.72 [0.225]	4.75 [0.187]	1-765204-9
5			4.19 [0.165]	3.17 [0.125]	1-765204-8
5			3.15 [0.124]	1.57 [0.062] TO 2.36 [0.093]	1-765204-7
2			5.72 [0.225]	4.75 [0.187]	1-765204-6
2			7.49 [0.295]	6.35 [0.250]	1-765204-5
5			4.19 [0.165]	3.17 [0.125]	1-765204-4
5	WITH		3.15 [0.124]	1.57 [0.062] TO 2.36 [0.093]	1-765204-3
5			5.72 [0.225]	4.75 [0.187]	1-765204-2
1			7.49 [0.295]	6.35 [0.250]	1-765204-1
5			4.19 [0.165]	3.17 [0.125]	1-765204-0
5			3.15 [0.124]	1.57 [0.062] TO 2.36 [0.093]	765204-9
5			5.72 [0.225]	4.75 [0.187]	765204-8
2			7.49 [0.295]	6.35 [0.250]	765204-7
2			4.19 [0.165]	3.17 [0.125]	765204-6
5			3.15 [0.124]	1.57 [0.062] TO 2.36 [0.093]	765204-5
5	W/O EYELETS		5.72 [0.225]	4.75 [0.187]	765204-4
1			7.49 [0.295]	6.35 [0.250]	765204-3
5			4.19 [0.165]	3.17 [0.125]	765204-2
5			3.15 [0.124]	1.57 [0.062] TO 2.36 [0.093]	765204-1

THIS DRAWING IS A CONTROLLED DOCUMENT.

DWN	J.K. DALY	12-07-89	Tyco Electronics Corporation Harrisburg, PA 17105-3608
CHK	CMS	12-14-89	
APVD	-	-	NAME
PRODUCT SPEC			AMPOWER Wave Crimp System
APPLICATION SPEC			HORIZONTAL HEADER ASSEMBLY
108-1308			2.54 [0.100] CENTER LINES
114-49005			SIZE
WEIGHT			A2 00779
CUSTOMER DRAWING			DRAWING NO
SCALE			C=765204
SHEET			1 OF 1
REV			N