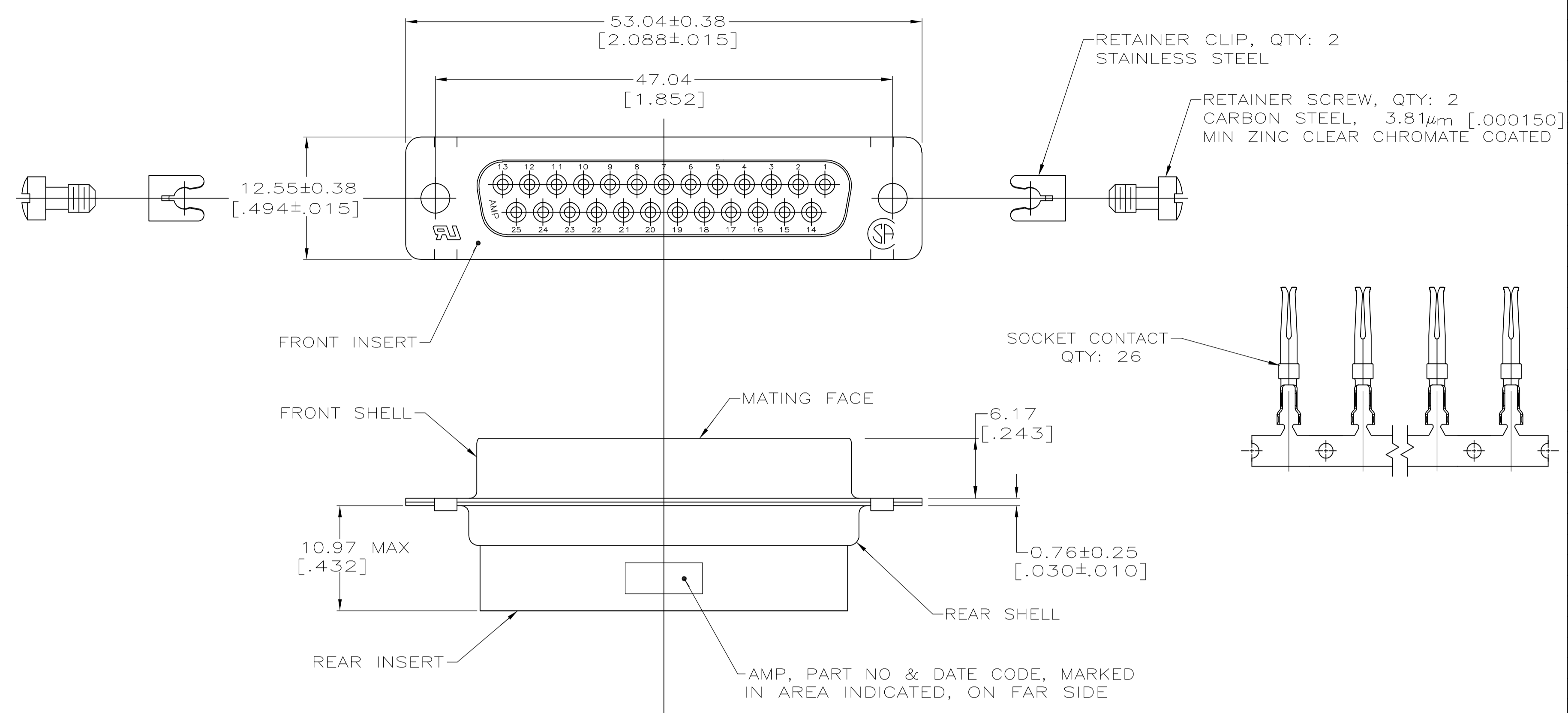
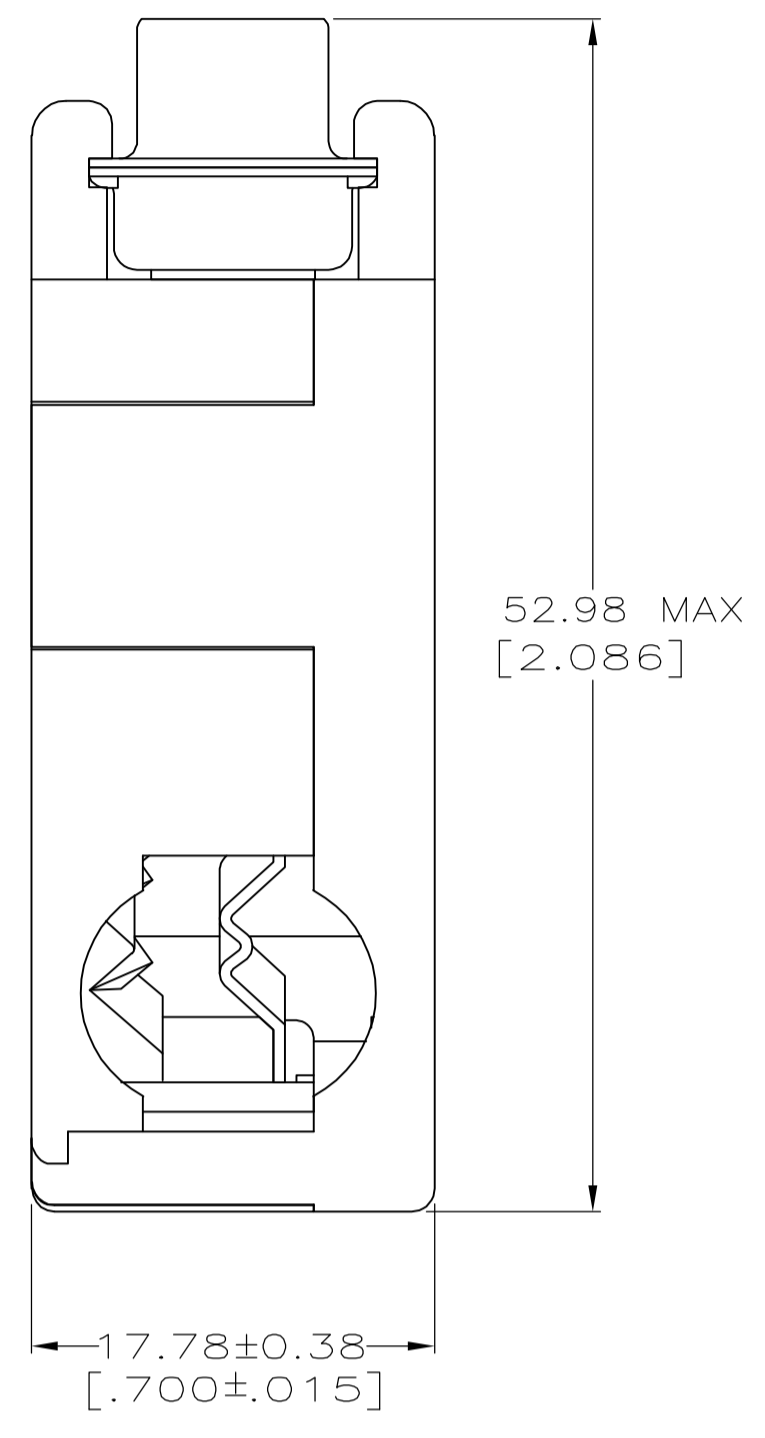
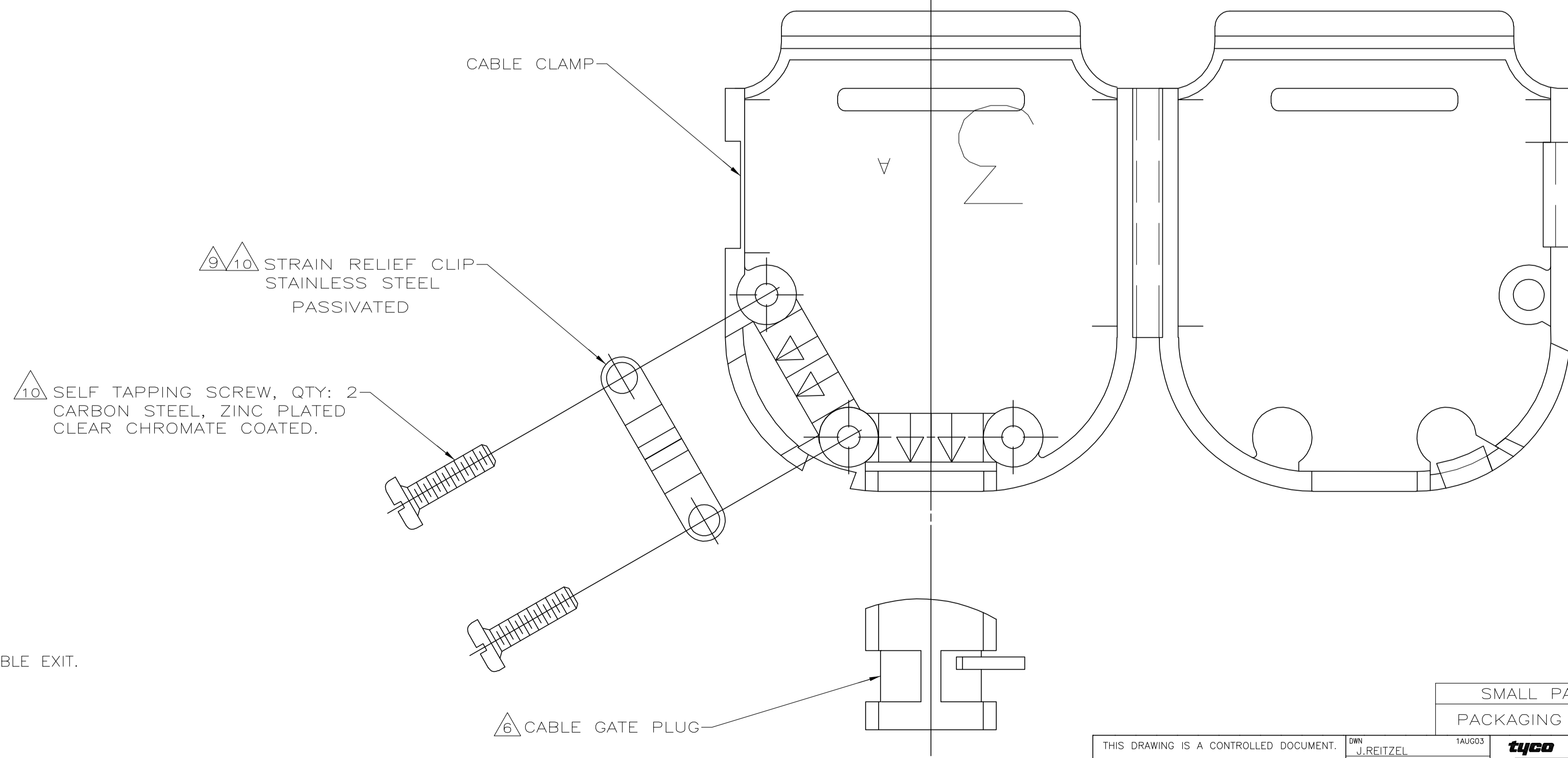


ASSEMBLED VIEW



- CONTACTS ACCEPT 20-24 AWG RANGE.
- INSERTS: NYLON, GLASS FILLED, UL 94V-0 RATED, BLACK.
- CABLE CLAMPS: POLYPROPYLENE, BLACK
- CONTACTS: PHOSPHOR BRONZE.
- SHELLS: CARBON STEEL.
- CABLE GATE PLUG TO BE PLACED IN CABLE EXIT NOT BEING USED.
- CONTACTS: GOLD FLASH FOR A LENGTH OF 2.54[.100] MIN FROM MATING END, 2.54µm[.000100] MIN TIN ON OPPOSITE END FOR A LENGTH OF 4.06 [.160] MIN FROM END OF INSULATION BARREL, BOTH OVER 0.76µm[.000030] MIN NICKEL ON ENTIRE CONTACT.
- SHELLS: 5.08 µm[.000200] MIN TIN OVER 2.54µm[.000100] MIN COPPER.
- STRAIN RELIEF CLIP CAN BE REVERSED FOR PROPER INSTALLATION, DEPENDING ON SIZE OF CABLE DIAMETER.
- STRAIN RELIEF CLIP AND SELF TAPPING SCREWS MAY BE USED AT EITHER CABLE EXIT.
- CABLE DIAMETER RANGE = 4.58-11.68 [.180-.460].



SMALL PACK	749812-9
PACKAGING TYPE	PART NO

THIS DRAWING IS A CONTROLLED DOCUMENT.		DIN	J. REITZEL	1AUG03	Tyco Electronics Corporation Harrisburg, PA 17105-3608
DIMENSIONS: mm [INCHES]		CHK	S. BOLASH	1AUG03	
TOLERANCES UNLESS OTHERWISE SPECIFIED:		APP'D	M. WAMSLEY	1AUG03	NAME
0 PLC	± -	PRODUCT SPEC		RECEPTACLE KIT, UNASSEMBLED, SIZE 3, 25 POSITION, AMPLIMITE, HDP-20	
1 PLC	± -	APPLICATION SPEC		108-40005	
2 PLC	± 0.13[.005]	SIZE		114-40030	
3 PLC	± -	WEIGHT		-	
4 PLC	± -	SCALE		3:1	
ANGLES	± -	SHEET		1 of 1	
MATERIAL	FINISH	CUSTOMER DRAWING		REV A	