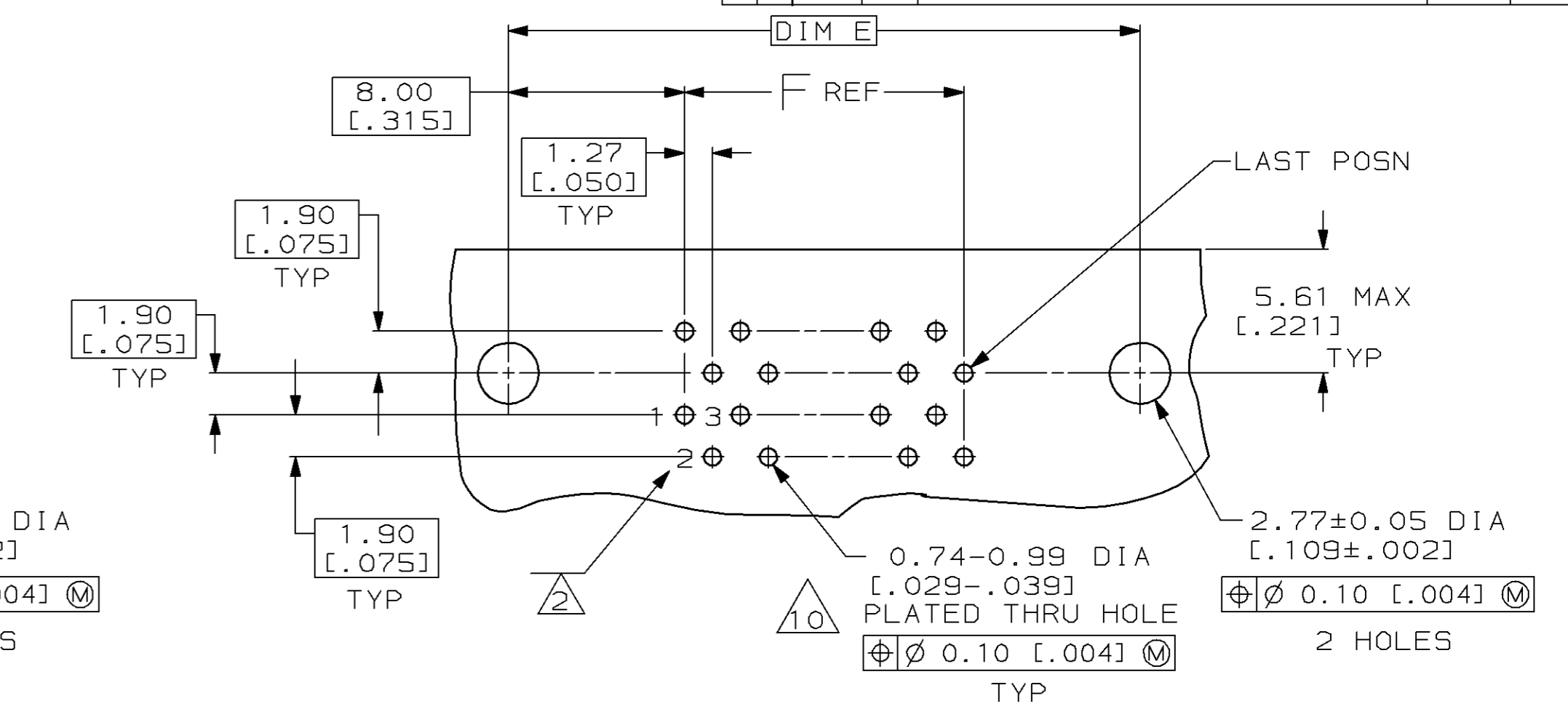
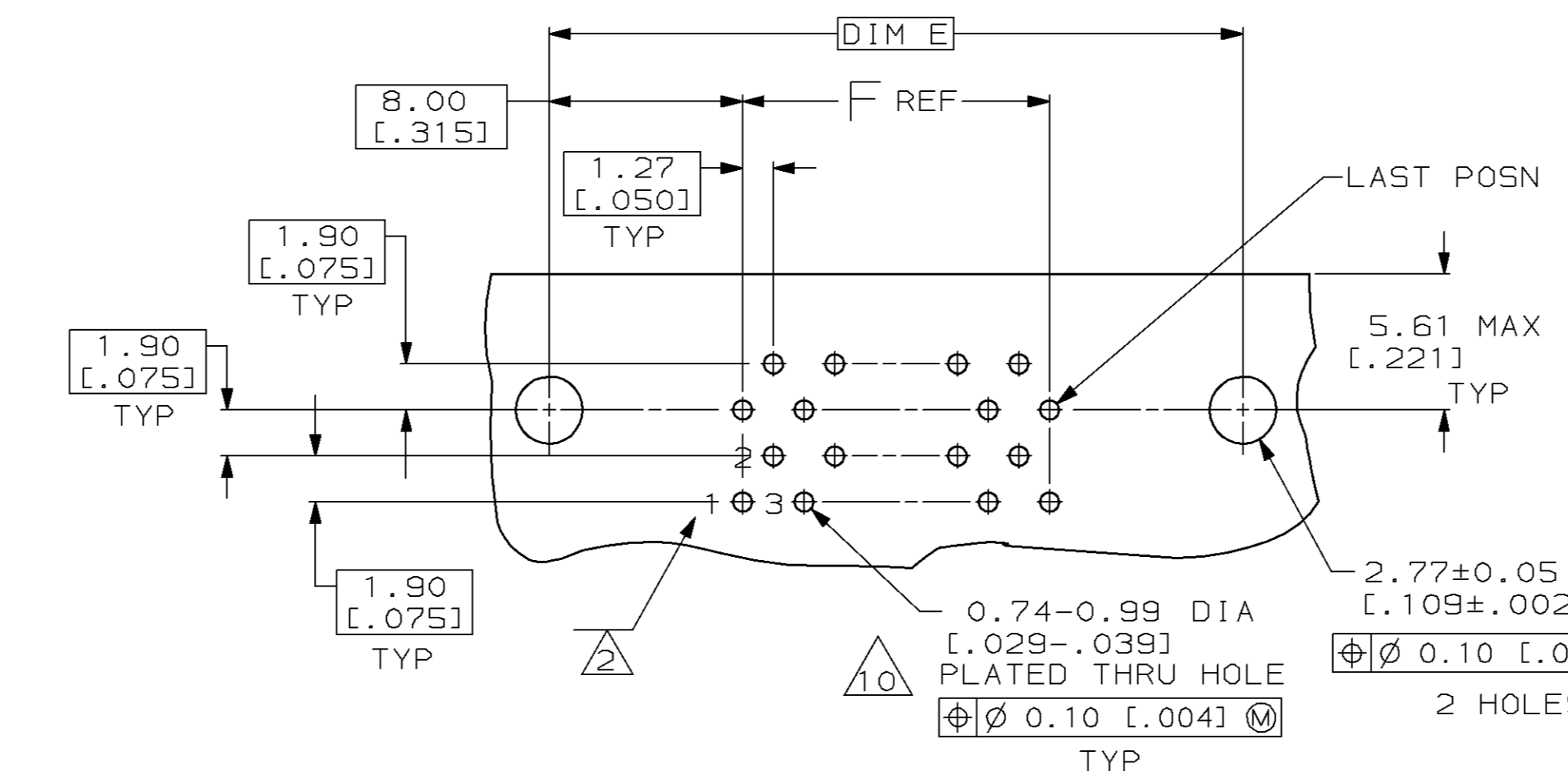
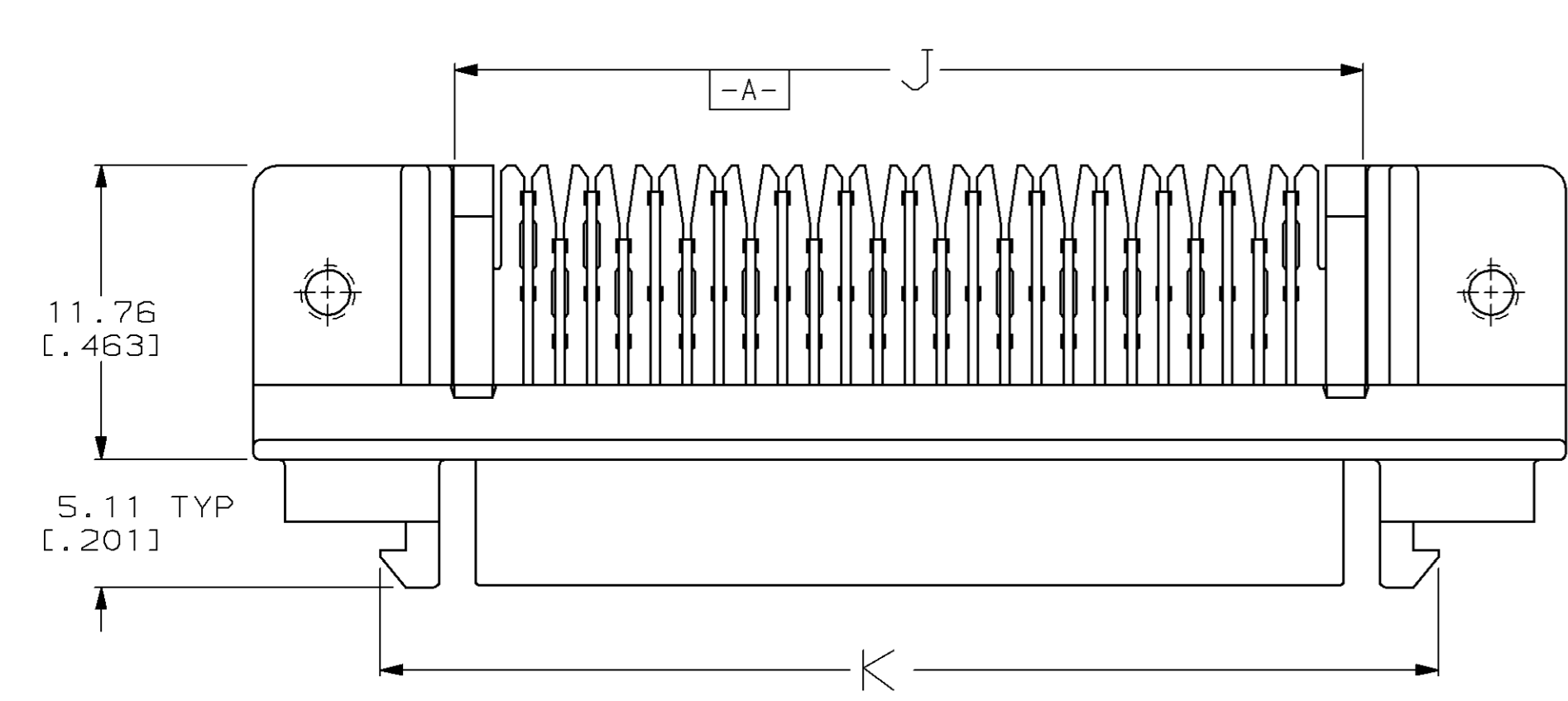


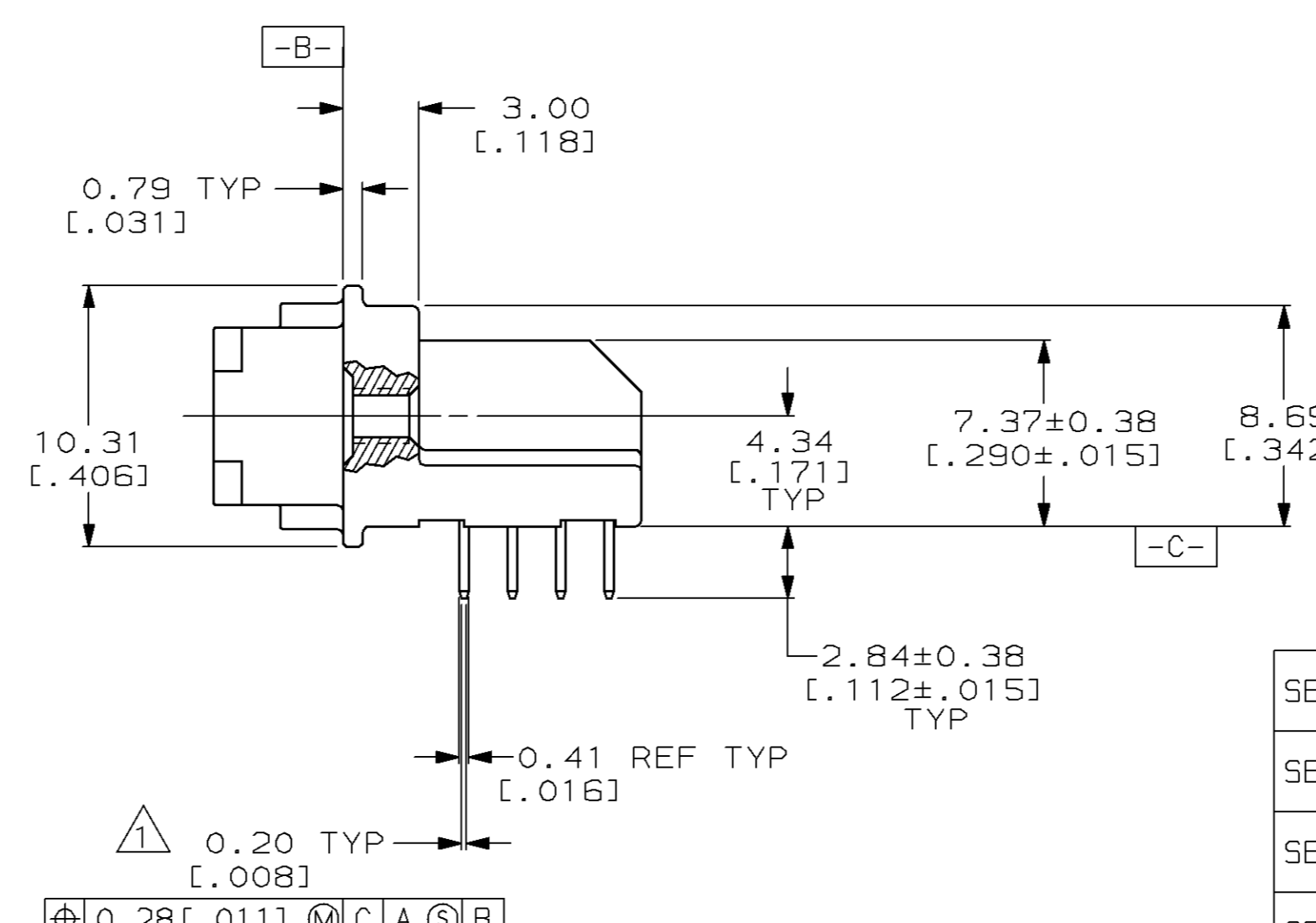
LOC	DIST	P	F	ZONE	LTR	REVISIONS	DATE	APPD
BD	95				L	SUPERSEDE -2 AND -5 PER EC 0410-41-96	16 APR 97	RW
					M	OBSOLETE -4 AND -9 SUPERSEDE -1 AND -8 PER EC 0410-173-96	28 AUG 97	RW



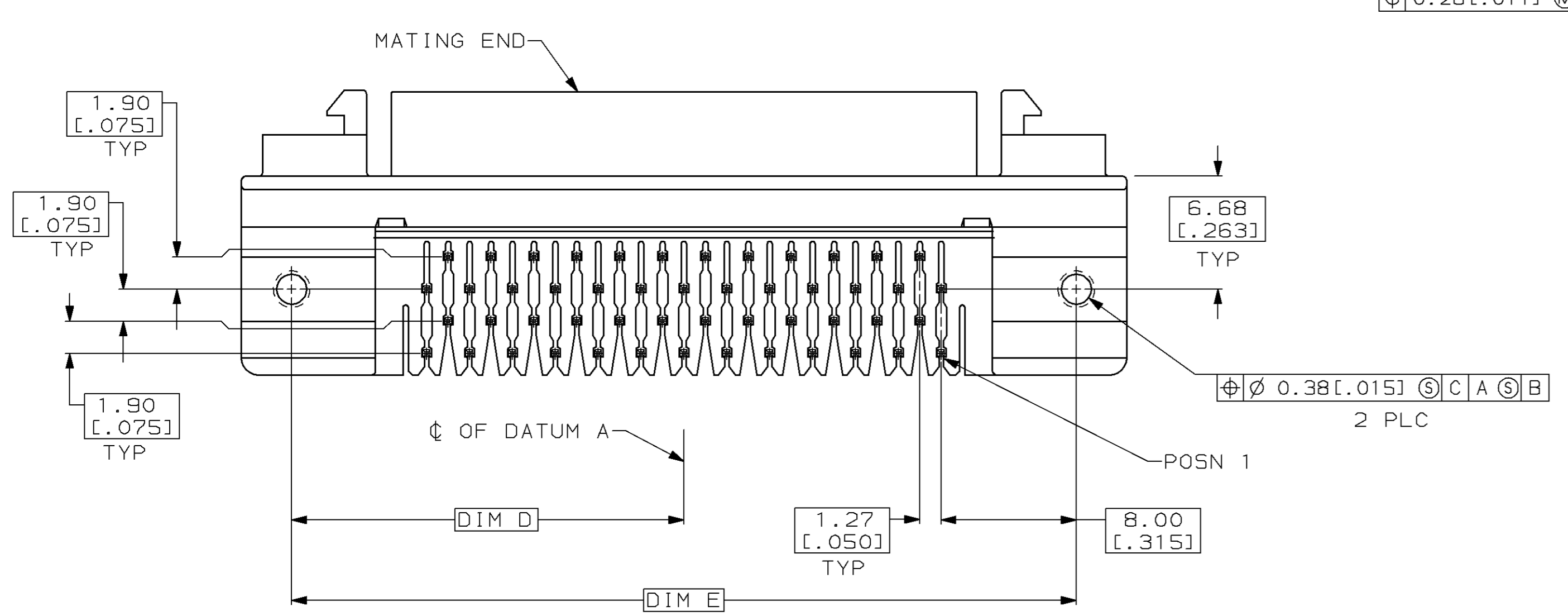
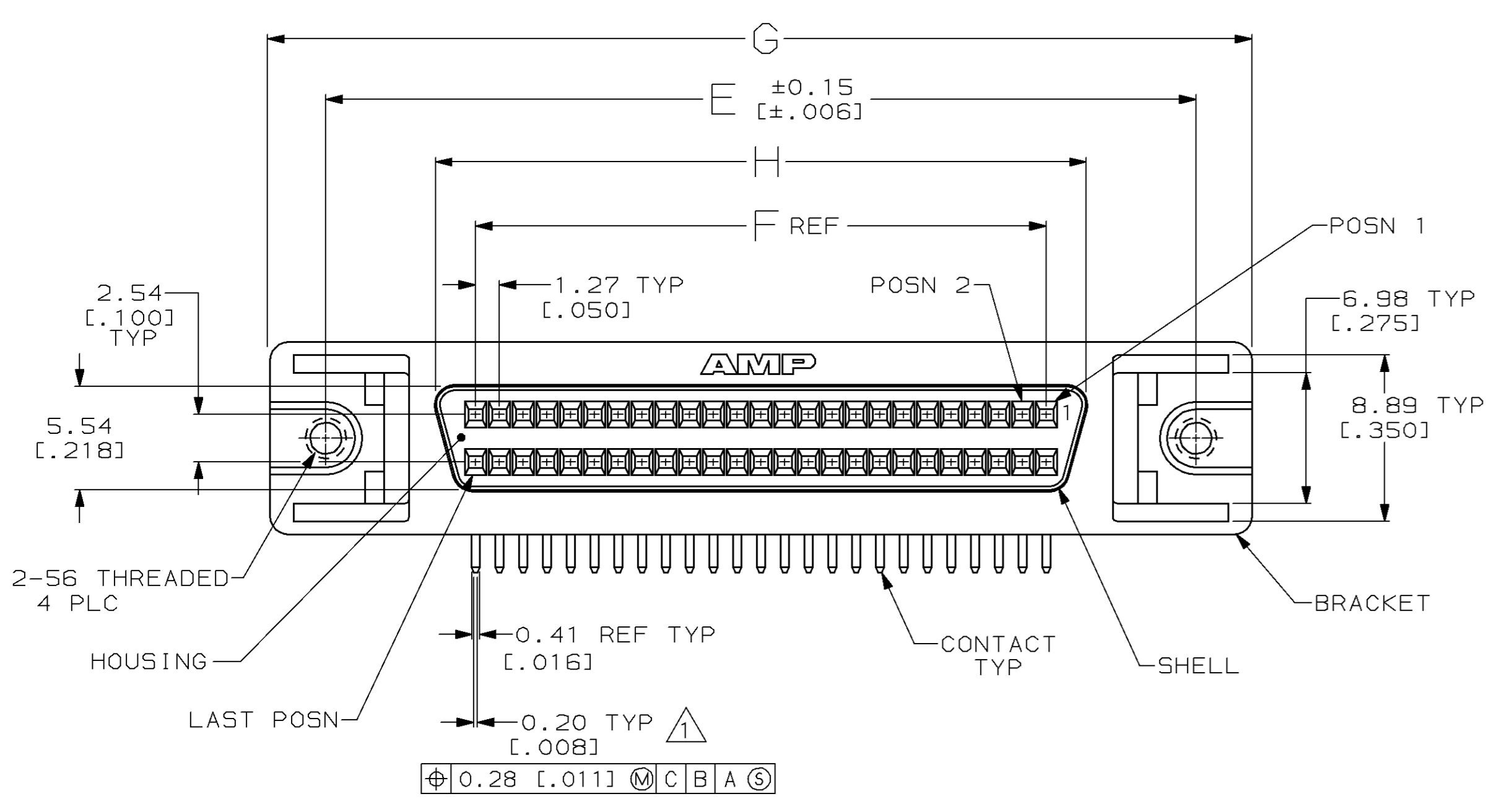
DETAIL Y

DETAIL X

RECOMMENDED PC BOARD MOUNTING DIMENSIONS
 CONNECTOR SIDE
 PC BOARD THICKNESS 1.57±0.18 [0.062±.007]



- 1 POSITION TOLERANCE APPLIES AT CONTACT TIP.
- 2 POSITION NUMBERS SHOWN FOR REFERENCE ONLY.
- 3 POLYESTER, UL 94V-0 RATED, BLACK.
- 4 CARBON STEEL.
- 5 PHOSPHOR BRONZE.
- 6 ZINC.
- 7 5.08µm [0.000200] MIN TIN OVER 1.27µm [0.00050] MIN COPPER.
- 8 2.54µm [0.000100] MIN NICKEL OVER 5.08µm [0.000200] MIN COPPER.
- 9 0.76µm [0.000030] MIN GOLD FOR A LENGTH OF 0.64 [0.025] MIN 0.13 [0.005] MAX FROM MATING END, 3.05µm [0.000120] MIN TIN-LEAD FOR A LENGTH OF 4.04 [0.159] MIN FROM OPPOSITE END, BOTH OVER 1.27µm [0.00050] MIN NICKEL.
- 10 ACTUAL HOLE SIZE USED WILL DEPEND ON TRACE ROUTING REQUIREMENTS BETWEEN HOLES AND CONNECTOR PLACEMENT TECHNIQUE.
- 11 OBSOLETE PART NUMBER.



- 12 -2 SUPERSEDED BY 787190-2.
- 13 -5 SUPERSEDED BY 787190-5.
- 14 -1 SUPERSEDED BY 787190-1.
- 15 -8 SUPERSEDED BY 787190-8.

SEE DETAIL	X	86.74 [3.415]	80.77 [3.180]	79.15 [3.116]	96.90 [3.815]	74.93 [2.950]	90.93 [3.580]	45.47 [1.790]	120	11	1-749075-0
SEE DETAIL X		74.04 [2.915]	68.07 [2.680]	66.45 [2.616]	84.20 [3.315]	62.23 [2.450]	78.23 [3.080]	39.12 [1.540]	100	11	749075-9
SEE DETAIL X		61.34 [2.415]	55.37 [2.180]	53.75 [2.116]	71.50 [2.815]	49.53 [1.950]	65.53 [2.580]	32.77 [1.290]	80	15	749075-8
SEE DETAIL X		53.72 [2.115]	47.75 [1.880]	46.13 [1.816]	63.88 [2.515]	41.91 [1.650]	57.91 [2.280]	28.96 [1.140]	68	11	749075-7
SEE DETAIL X		48.64 [1.915]	42.67 [1.680]	41.05 [1.615]	58.80 [2.315]	36.83 [1.450]	52.83 [2.080]	26.42 [1.040]	60	11	749075-6
SEE DETAIL Y		42.29 [1.665]	36.32 [1.430]	34.70 [1.366]	52.45 [2.065]	30.48 [1.200]	46.48 [1.830]	23.24 [0.915]	50	13	749075-5
SEE DETAIL X		35.94 [1.415]	29.97 [1.180]	28.35 [1.116]	46.10 [1.815]	24.13 [0.950]	40.13 [1.580]	20.07 [0.790]	40	11	749075-4
SEE DETAIL X		28.32 [1.115]	22.35 [0.880]	20.73 [0.816]	38.48 [1.515]	16.51 [0.650]	32.51 [1.280]	16.26 [0.640]	28	11	749075-3
SEE DETAIL Y		27.05 [1.065]	21.08 [0.830]	19.46 [0.766]	37.21 [1.465]	15.24 [0.600]	31.24 [1.230]	15.62 [0.615]	26	12	749075-2
SEE DETAIL X		23.24 [0.915]	17.27 [0.680]	15.65 [0.616]	33.40 [1.315]	11.43 [0.450]	27.43 [1.080]	13.72 [0.540]	20	14	749075-1
PC BOARD PATTERN		K	J	H	G	F	E	D	NO OF POSN		PART NO

DO NOT SCALE PRINT.
 UNLESS SPECIFIED
 DIMENSIONS IN mm [INCHES]
 TOLERANCES ON:
 2 PLC DEC ± 0.13 [0.005]
 3 PLC DEC ± -
 ANGLES ± -

DR 12/15/92
D.6ELTZ

CHK 4-20-93
R.STONE

APPD 4-21-93
R.WALTER

APPD 4-21-93
R.WALTER

PRODUCT SPEC
108-1228

APPLICATION SPEC
114-40029

WEIGHT -

AMP AMP Incorporated
 Harrisburg, PA 17105-3608

NAME
**RECEPTACLE ASSEMBLY, SHIELDED,
 RIGHT ANGLE, RAILED,
 .050 SERIES AMPLIMITE™**

SIZE
D

CAGE CODE
00779

DRAWING NO
C-749075

SCALE
4:1

SHEET
1 OF 1

THIS DRAWING IS A CONTROLLED DOCUMENT FOR AMP INCORPORATED. IT IS SUBJECT TO CHANGE AND THE CONTROLLING ENGINEERING ORGANIZATION SHOULD BE CONTACTED FOR THE LATEST REVISION.