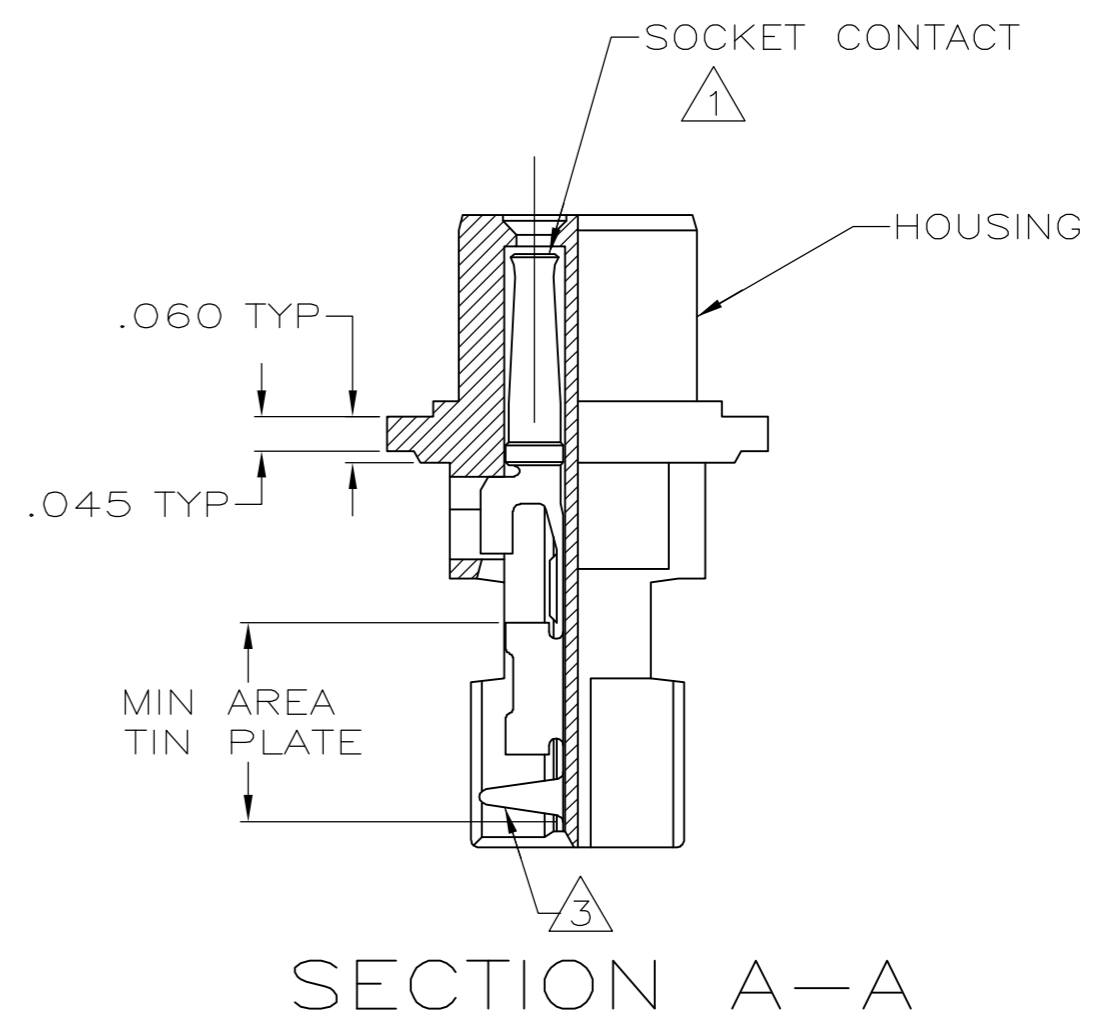
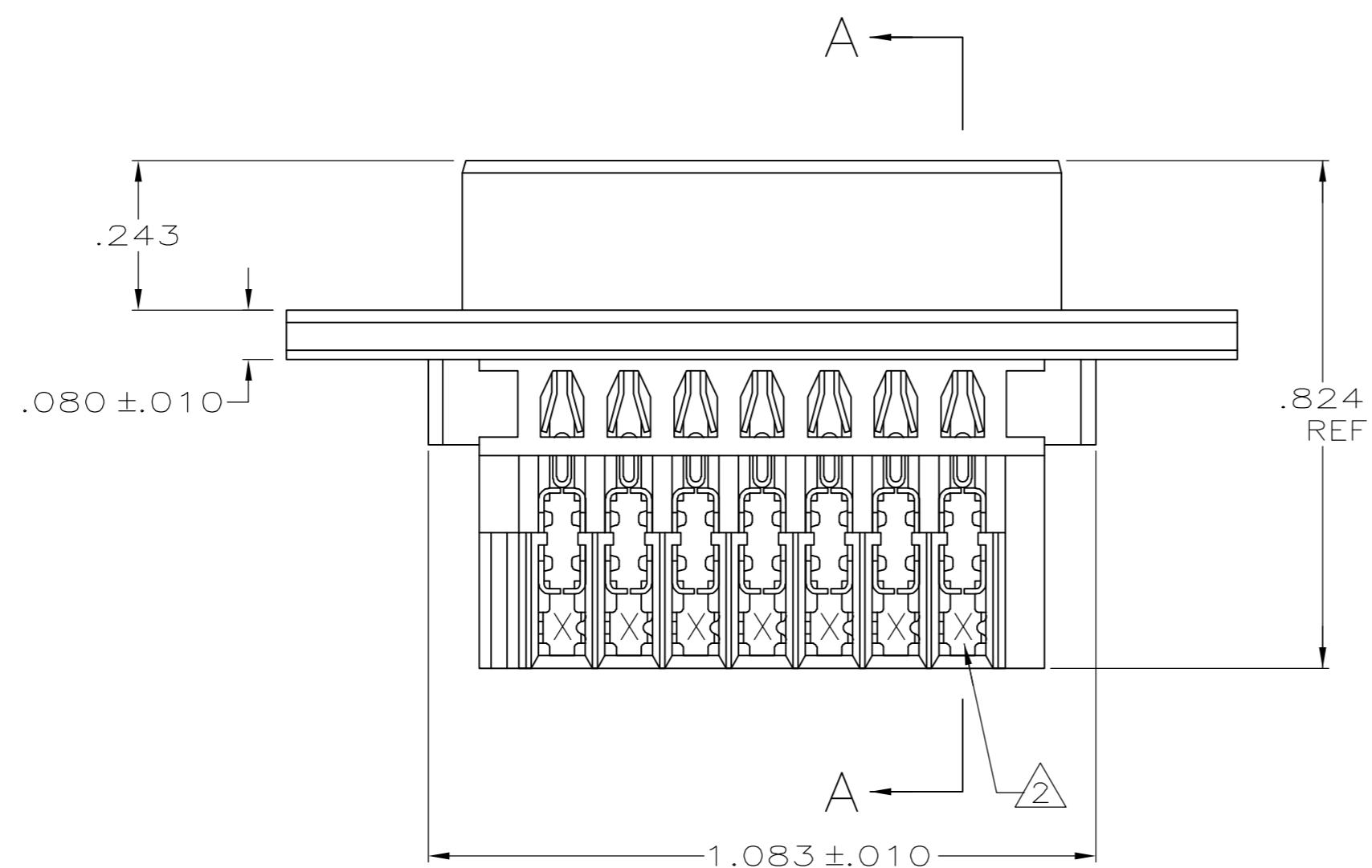
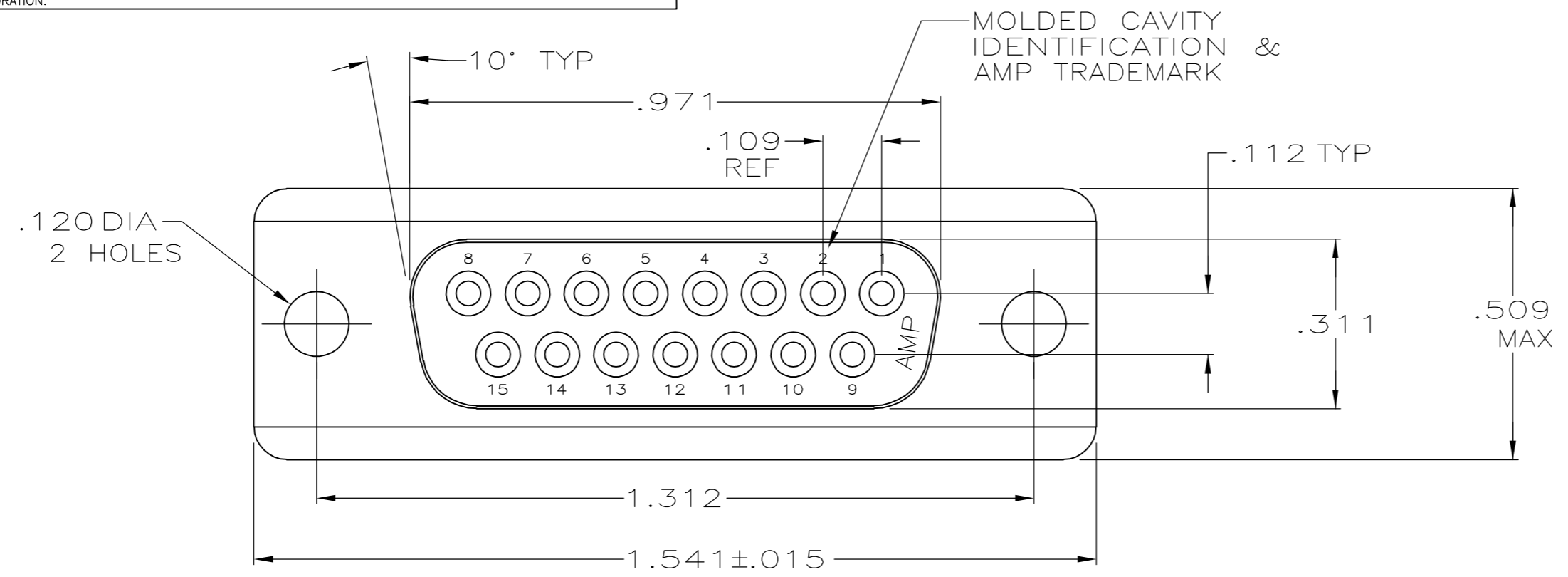


THIS DRAWING IS UNPUBLISHED. RELEASED FOR PUBLICATION
 © COPYRIGHT BY TYCO ELECTRONICS CORPORATION. ALL RIGHTS RESERVED.

LOC	DIST	REVISIONS					
GP	00	P	LTR	DESCRIPTION	DATE	DWN	APVD
		M1		REVISED PER ECO-06-020813	27OCT06	JDP	CWR



- ① HOUSING FULLY LOADED WITH CONTACTS.
- ② NUMBER ON CONTACT INDICATES WIRE RANGE.
- ③ CONTACT INSULATION RANGE: .060 MAXIMUM O.D.
- ④ CONTACTS PLATED .000030 GOLD ON MATING END FOR .100 MIN LENGTH. .000100-.000200 THICK BRIGHT TIN OR BRIGHT TIN-LEAD IN AREA SHOWN. .000050 THICK NICKEL UNDERPLATE ON ENTIRE CONTACT.
- ⑤ CONTACTS PLATED WITH GOLD FLASH ON MATING END FOR .100 MIN LENGTH. .000100-.000200 THICK BRIGHT TIN OR BRIGHT TIN-LEAD IN AREA SHOWN. .000030 THICK NICKEL UNDERPLATE ON ENTIRE CONTACT.
- ⑥ CONTACTS PLATED .000030 GOLD ON MATING END FOR .100 MIN LENGTH .000100-.000200 THICK MATTE TIN IN AREA SHOWN. .000050 THICK NICKEL UNDERPLATE ON ENTIRE CONTACT.
- ⑦ CONTACTS PLATED WITH GOLD FLASH ON MATING END FOR .100 MIN LENGTH. .000100-.000200 THICK BRIGHT TIN IN AREA SHOWN. .000030 THICK NICKEL UNDERPLATE ON ENTIRE CONTACT.
- ⑧ HOUSING: 94V-0 RATED THERMOPLASTIC, BLACK.

OBSOLETE	⑦	2	#22-26	745205-8
	⑥	2	#22-26	745205-7
OBSOLETE	⑤	3	#20-22	745205-6
OBSOLETE		2	#22-26	745205-5
OBSOLETE	④	1	#26-30	745205-4
OBSOLETE		3	#20-22	745205-3
OBSOLETE		2	#22-26	745205-2
OBSOLETE	③	1	#26-30	745205-1
		FINISH	②	AWG WIRE RANGE

THIS DRAWING IS A CONTROLLED DOCUMENT.		DWN J GALLUCCI BG 4-9-90	Tyco Electronics Corporation Harrisburg, PA 17105-3608	
DIMENSIONS: INCHES		CHK W.LENKER 6-21-90		
TOLERANCES UNLESS OTHERWISE SPECIFIED:		APVD -	NAME	
0 PLC ± -		PRODUCT SPEC	RECEPTACLE ASSEMBLY, SIZE 2, 15 POSITION, AMPLIMITE	
1 PLC ± -		APPLICATION SPEC	108-40011	
2 PLC ± -		WEIGHT	114-40002	
3 PLC ± .005		SCALE	A2 00779 C=745205	
4 PLC ± -		CUSTOMER DRAWING	SCALE 4:1 SHEET 1 OF 1 REV M1	
ANGLES ± -				
FINISH SEE TABLE				