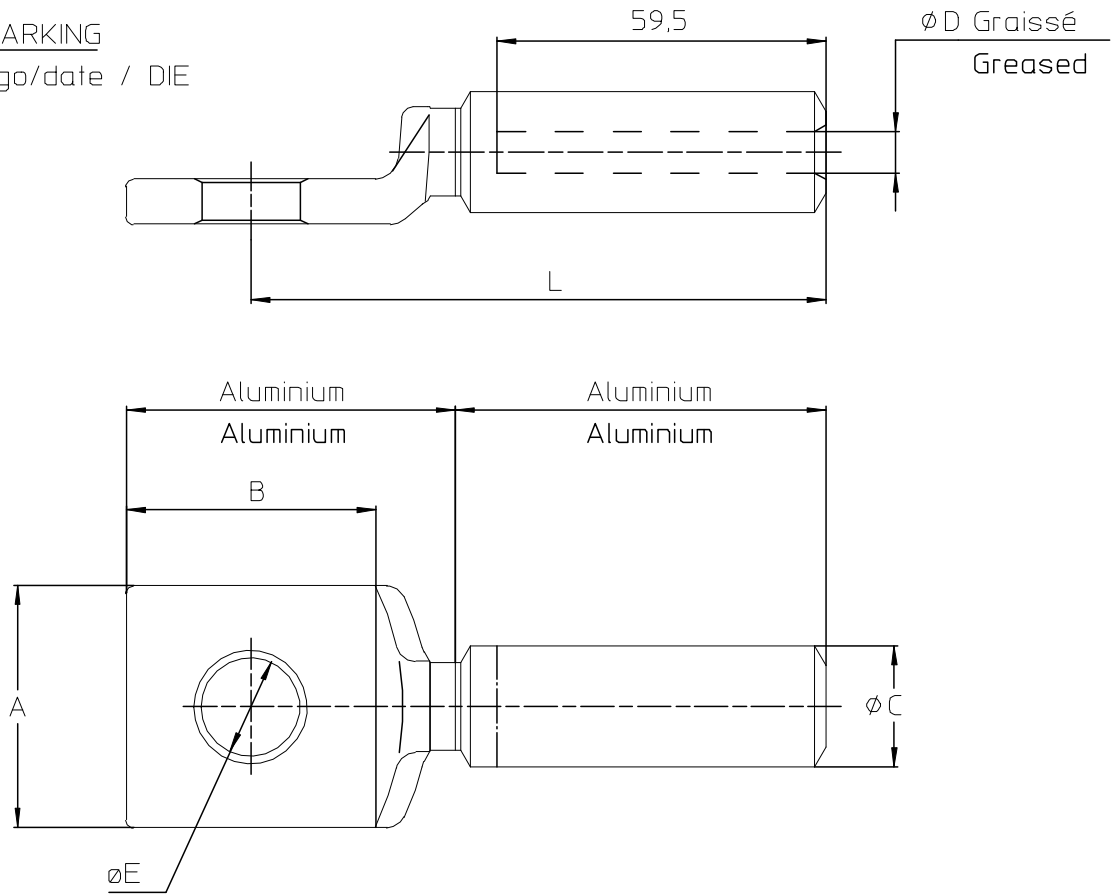


LOC	DIST	REVISIONS					
FH	00	P	LTR REV	DESCRIPTION MODIFICATIONS	DATE	DWN DESS.	APVD APPR
			A	MISE A JOUR PLAN/CARTOUCHE/LOGO	17-Juil-08	FM	GP

MARQUAGE/MARKING

Reference/logo/date / DIE



PN	REFERENCE	SECTION mm2	DIMENSIONS						
			A	B	ØE	ØC	ØD	L	DIE
739059-1	XD8 120 C2A 120	120	38	38,5	16	25	13,7	101	MC-2E 2E
739032-1	XD8 150 C2A 150	150					15,5		
739060-1	XD8 185 C4A 185	185				32	17		MC-4E 4E
739033-1	XD8 240 C4A 240	240					19,5		

RELEASED FOR PUBLICATION

ALL RIGHTS RESERVED. TOUS DROITS RESERVES

BY TYCO ELECTRONICS CORPORATION

© COPYRIGHT 2007

THIS DRAWING IS UNPUBLISHED. DIFFUSION RESTREINTE

DIMENSIONS: mm	DWN /DESSINE F.MOIROUD	17-Juil-08	MATERIAL MATIERE	-	FINISH FINITION	-
	CHK /VERIFIE L.MAINIER	-				
TOLERANCES UNLESS OTHERWISE SPECIFIED PER TOLERANCES NON SPECIFIEES SELON :	APVD /APPROUVE G.PORCHERAY	-				
	PRODUCT SPEC SPEC. PRODUIT	-	SIZE FORMAT	A4	CAGE CODE	00779
	APPLICATION SPEC SPEC. APPLICATION	C-33090-1	DRAWING NO No PLAN	© 739059	RESTRICTED TO RESERVE A	-
	APPROX. WEIGHT MASSE APPROX.	-	CUSTOMER DWG / PLAN CLIENT	UNIQUEMENT POUR REFERENCE	SCALE ECHELLE	1:1
				SHEET FEUILLE	1 OF 1 DE 1	REV A