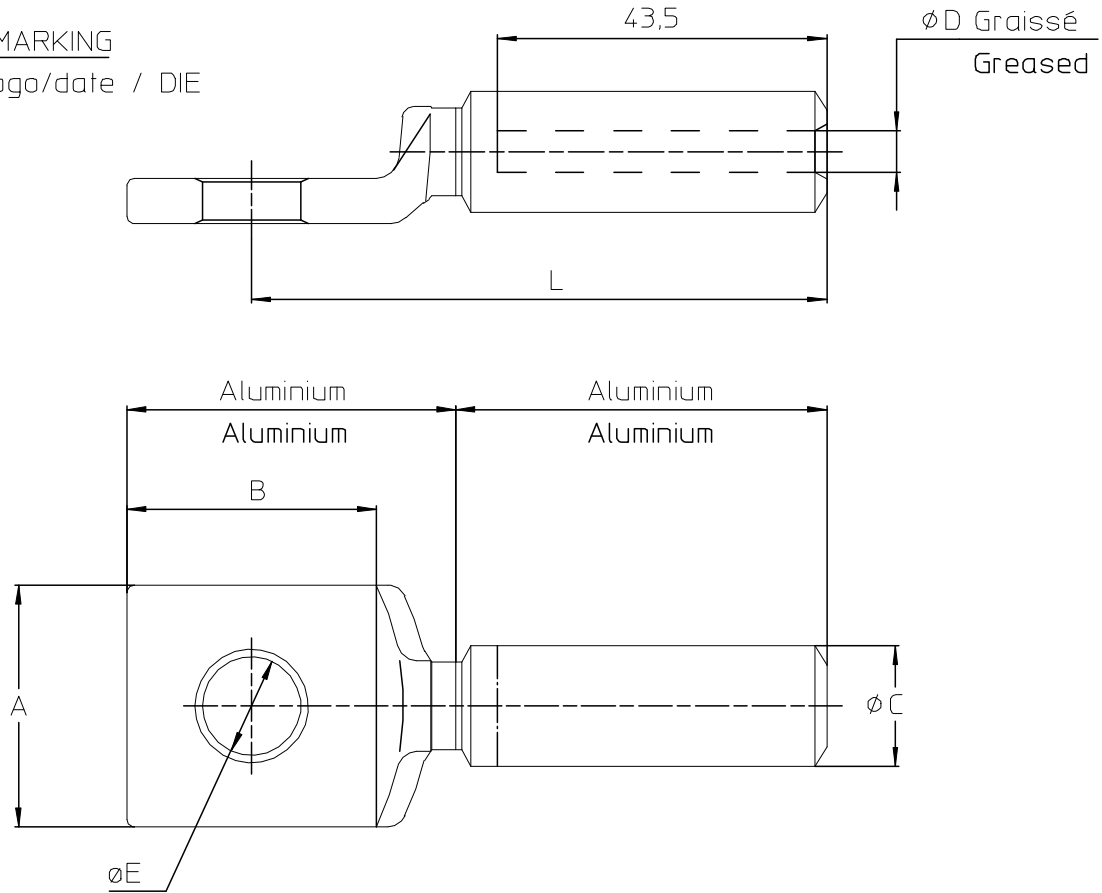


LOC	DIST	REVISIONS					
FH	00	P	LTR REV	DESCRIPTION MODIFICATIONS	DATE	DWN DESS.	APVD APPR
			A	MISE A JOUR PLAN/CARTOUCHE/LOGO	17-Juil-08	FM	GP

MARQUAGE/MARKING

Reference/logo/date / DIE



PN	REFERENCE	SECTION mm2	DIMENSIONS						DIE
			A	B	phi E	phi C	phi D	L	
739050-1	XD8 16 COA 16	16					5,5		
739051-1	XD8 25 COA 25	25	32	33	13	16	6,5	76	MC-0E 0E
739029-1	XD8 35 COA 35	35					8		
739008-1	XD8 50 C1A 50	50					9		
739009-1	XD8 70 C1A 70	70	38	38,5	16	20	11	81	MC-1E 1E
739010-1	XD8 95 C1A 95	95					12,5		

RELEASED FOR PUBLICATION

ALL RIGHTS RESERVED. TOUS DROITS RESERVES

BY TYCO ELECTRONICS CORPORATION

© COPYRIGHT 2007

THIS DRAWING IS UNPUBLISHED. DIFFUSION RESTREINTE

DIMENSIONS: mm	DWN /DESSINE F.MOIROUD	17-Juil-08	MATERIAL MATIERE	-	FINISH FINITION	-		
	CHK /VERIFIE L.MAINIER	-						
TOLERANCES UNLESS OTHERWISE SPECIFIED PER TOLERANCES NON SPECIFIEES SELON :	APVD /APPROUVE G.PORCHERAY	-						
	PRODUCT SPEC SPEC. PRODUIT	-	NAME TITRE	XD8 ... COA / C1A				
	APPLICATION SPEC SPEC. APPLICATION	C-33090-1	SIZE FORMAT	A4	CAGE CODE	00779		
	APPROX. WEIGHT MASSE APPROX.	-	DRAWING NO No PLAN	© 739050	RESTRICTED TO RESERVE A	-		
CUSTOMER DWG / PLAN CLIENT			UNIQUEMENT POUR REFERENCE	SCALE ECHELLE	1:1	SHEET FEUILLE	1 OF 1 DE 1	REV A