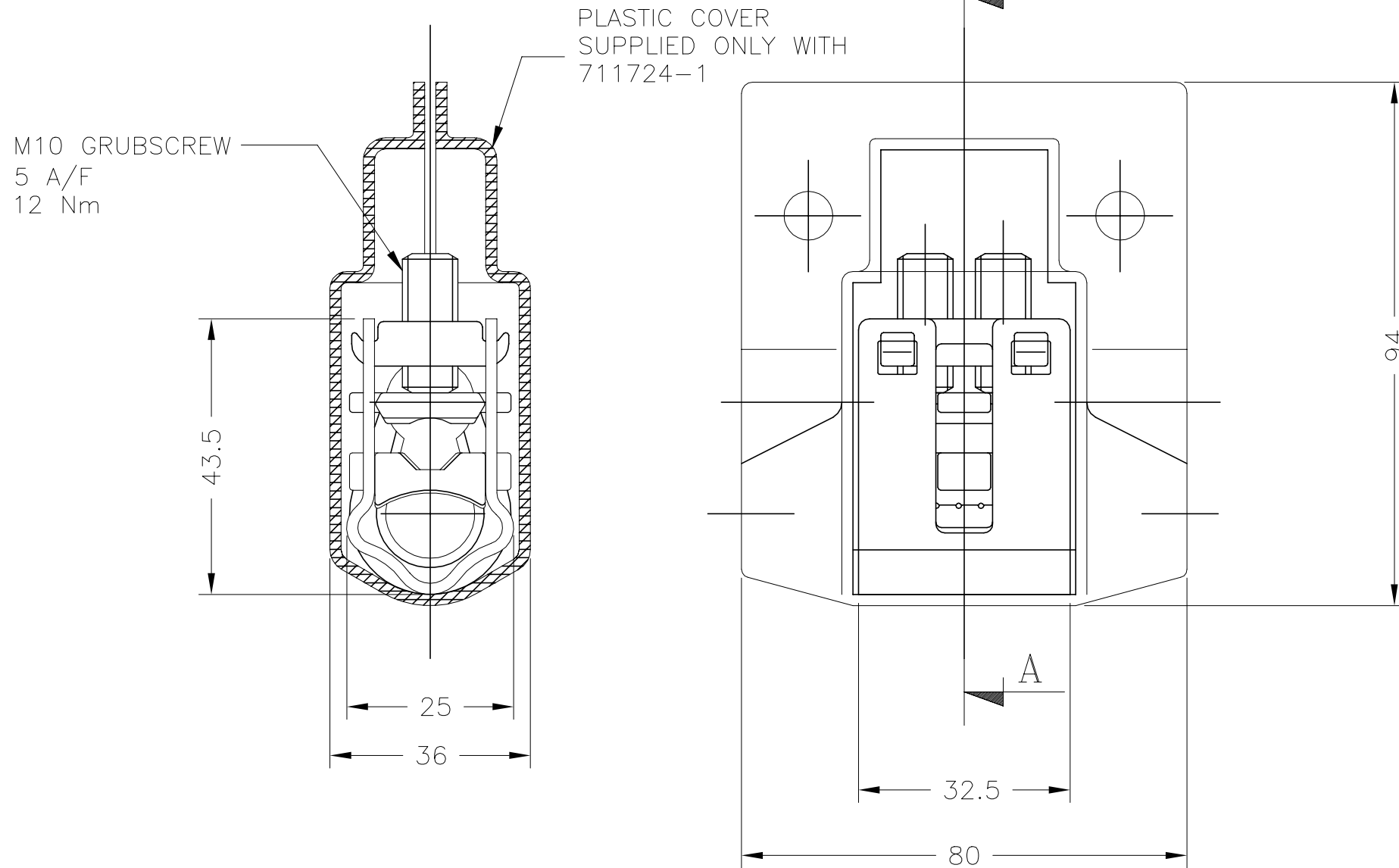


REVISIONS

P	LTR	DESCRIPTION	DATE	DWN	APVD
	A	NEW DRAWING	23AUG2021	RS	LJ

SECTION A-A



WEIGHT (g)	MAIN SECTION (mm ²)	TAP SECTION (mm ²)	DESCRIPTION	PART NUMBER
155	25 to 95	10 to 35	ESU 95+GOUSSET	711724-1
105	25 to 95	10 to 35	ESU 95	710127-1

THIS DRAWING IS A CONTROLLED DOCUMENT.		DWN	23AUG2021		TE TE Connectivity
		CHK	23AUG2021		
		APVD	23AUG2021		
		NAME			ESU 95
		PRODUCT SPEC			
		APPLICATION SPEC			RESTRICTED TO
		WEIGHT			
		SIZE	CAGE CODE	DRAWING NO	REV
		A3	00779	C=710127	
		CUSTOMER DRAWING		SCALE	1:1
		SHEET		1 OF 1	

DIMENSIONS:	TOLERANCES UNLESS OTHERWISE SPECIFIED:
mm	
	0 PLC ± -
	1 PLC ± -
	2 PLC ± -
	3 PLC ± -
	4 PLC ± -
	ANGLES ± -
MATERIAL	FINISH
-	-