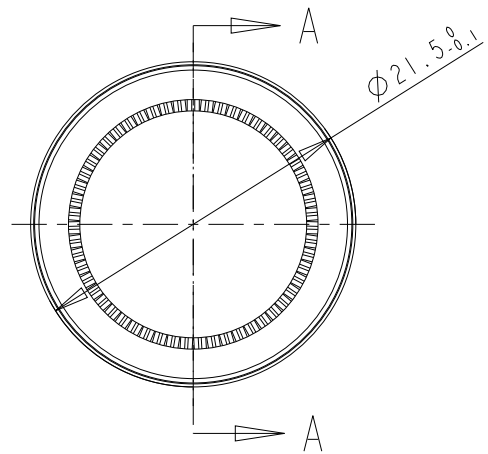
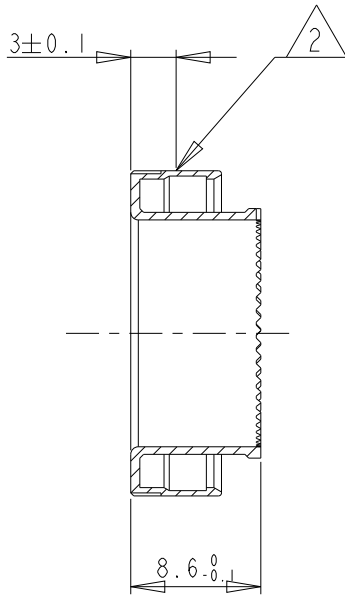


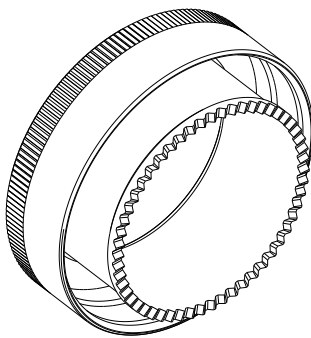
REVISIONS					
P	LTR	DESCRIPTION	DATE	DWN	APVD
	A	NEW RELEASED	20JUL2020	GK	OD

NOTES:

- 1 MATERIAL: COPPER-ZINC LEAD ALLOY
FINISH: fICu Ni3-5 (NICKEL PLATED)
- 2 PLATING THICKNESS MEASUREMENT POINT



SECTION A - A



4	71.028.01	71-0028-001-000
WEIGHT (g) REF	INTERCONTEC P/N	TE P/N

© 2021 TE Connectivity. All Rights Reserved.

DIMENSIONS: mm	DWN GOPALAKRISHNA HV 20JUL2020	MATERIAL	FINISH			
	CHK ONDREJ DUSAN 20JUL2020	TE Connectivity				
TOLERANCES UNLESS OTHERWISE SPECIFIED:	APVD ONDREJ DUSAN 20JUL2020				NAME 923 SHIELDING ELEMENT, FOR CROWN CLAMP	
	0 PLC ±-	PRODUCT SPEC	SIZE	CAGE CODE	DRAWING NO	RESTRICTED TO
1 PLC ±-	APPLICATION SPEC	A 4	00779	C=71-0028-001-000	-	
2 PLC ±-		WEIGHT SEE TABLE		SCALE 2:1	SHEET 1 OF 1	REV A
3 PLC ±-		CUSTOMER DRAWING				
4 PLC ±-						
ANGLES ±0° 30'						