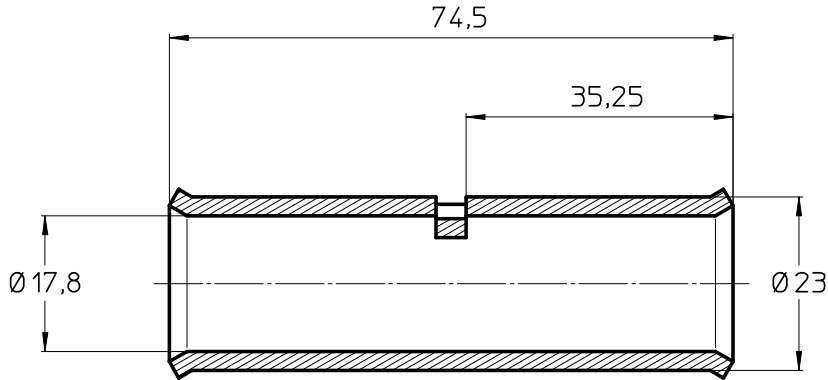


LOC	DIST	REVISIONS					
		P	LTR REV	DESCRIPTION MODIFICATIONS	DATE	DWN DESS.	APVD APPR
-	-		A	CREATION	19-JUL-11	BM	NA



10	XG7T 185	709845-1
QUANTITY	PRODUCT DESCRIPTION	PART NUMBER

ITEM: .....

2011


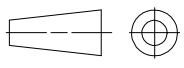
RELEASED FOR PUBLICATION  
LIBRE A LA DIFFUSION

ALL RIGHTS RESERVED.  
TOUS DROITS RESERVES

BY TYCO ELECTRONICS CORPORATION

© COPYRIGHT 2011

THIS DRAWING IS UNPUBLISHED.  
DIFFUSION RESTREINTE

DIMENSIONS: mm	DWN /DESSINE B. MILLOT	19-JUL-2011	MATERIAL MATIERE	COPPER	FINISH FINITION	TINNED
	CHK /VERIFIE E. DEREY	-	 <b>TE connectivity</b> <b>SIMEL PRODUCTS</b>			
TOLERANCES UNLESS OTHERWISE SPECIFIED PER TOLERANCES NON SPECIFIEES SELON : -	APVD /APPROUVE N. ALMEIDA	-				
	PRODUCT SPEC SPEC. PRODUIT	-	NAME TITRE	XG7T 185		
	APPLICATION SPEC SPEC. APPLICATION	-	SIZE FORMAT	CAGE CODE	DRAWING NO No PLAN	RESTRICTED TO RESERVE A
	APPROX. WEIGHT MASSE APPROX.	-	A4	00779	© =709845	-
CUSTOMER DWG / PLAN CLIENT			UNIQUEMENT POUR REFERENCE	SCALE ECHELLE	1:1	SHEET FEUILLE
				1 OF 1 DE 1	REV	A