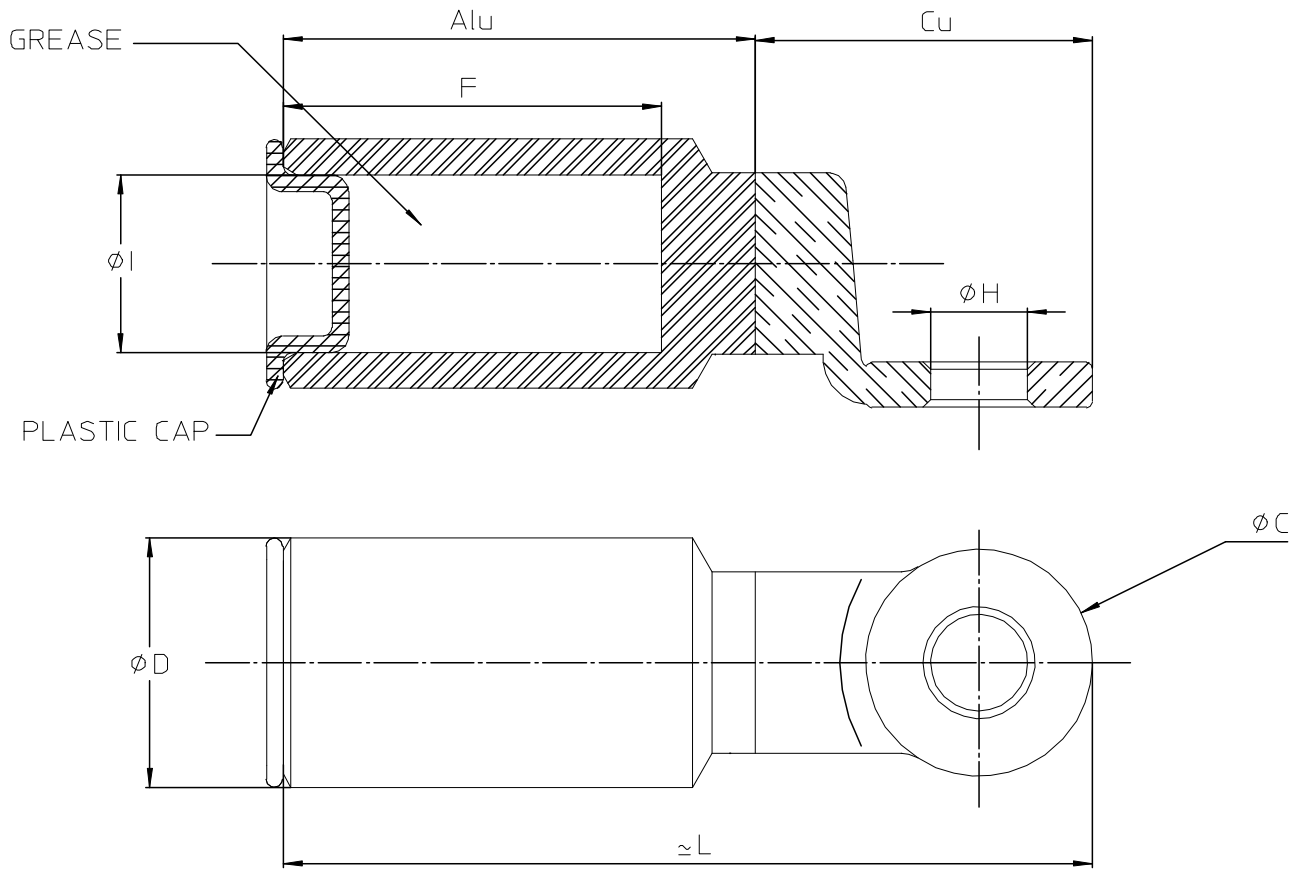


LOC		DIST		REVISIONS				
P	LTR REV	DESCRIPTION MODIFICATIONS			DATE	DWN DESS.	APVD APP.	
	FH 2	A	REPLACE PLAN 08PAD0360			03-Nov-03	GC	JT
		B	EQ00-0114-05			18-Fev-05	BP	DM



MARKING: REFERENCE LOGO DATE

MATERIAL: ALU CU (CAP)

SECTION (mm2)	PN	REFERENCE	DIMENSIONS(mm)						CAP
			ϕI	ϕD	ϕC	ϕH	$\approx L$	F	
300	709824-1	XCX 300 D34 + PUTTY	22,5	34	36	13	132	62	YES
	709824-2	XCX 300 D34	22,5	34	36	13	132	62	YES
	709824-3	XCX 300 D13 D34 L123	22,5	34	36	13	123	62	YES
	1756035-1	XCX 300 D16,5 D34 L123	22,5	34	36	16,5	123	62	YES

RELEASED FOR PUBLICATION
 ALL RIGHTS RESERVED
 TOUS DROITS RESERVES
 BY TYCO ELECTRONICS SIMEL
 THIS DRAWING IS UNPUBLISHED.
 DIFFUSION RESEINTE AMP
 COPYRIGHT 19

DIMENSIONS: mm	DWN /DESSINE CARLHIAN	03-Nov-03	MATERIAL MATIERE	ALU / CU	FINISH FINITION	-
	CHK /VERIFIE JM BRIANCON	-	 21220 Gevrey Chambertin FRANCE			
TOLERANCES UNLESS OTHERWISE SPECIFIED PER TOLERANCES NON SPECIFIEES SELON :	APVD /APPROUVE D MERCUZOT	-				
	PRODUCT SPEC SPEC. PRODUIT	-	NAME TITRE	XCX 300 D34		
	APPLICATION SPEC SPEC. APPLICATION	-	SIZE FORMAT	A4	CAGE CODE	00779
	WEIGHT MASSE APPROX.	-	DRAWING NO No PLAN	© 709824		RESTRICTED TO RESERVE A
	CUSTOMER DWG / PLAN CLIENT		UNIQUEMENT POUR REFERENCE	SCALE ECHELLE	1:1	SHEET FEUILLE
					1 OF 1 DE 1	REV B