

4

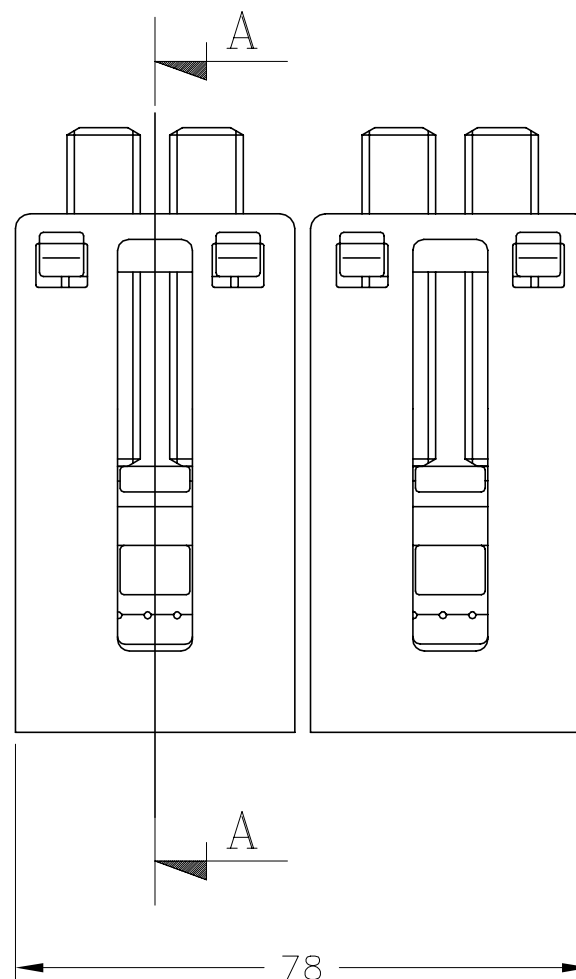
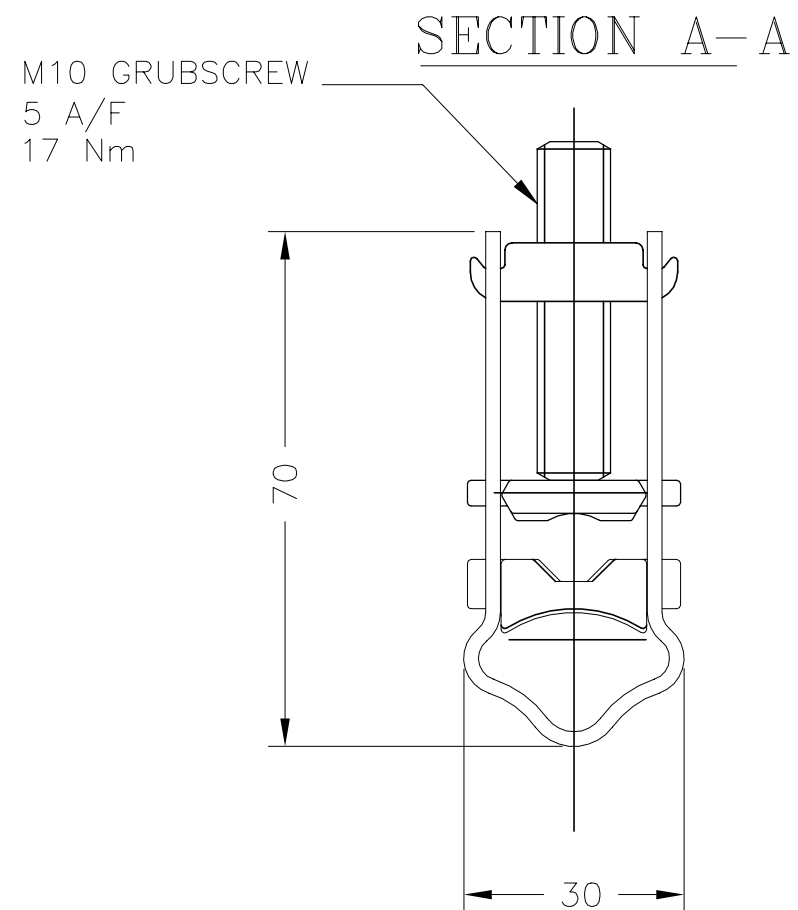
3

2

1

REVISIONS

P	LTR	DESCRIPTION	DATE	DWN	APVD
	A	NEW DRAWING	23AUG2021	RS	LJ



425	95 to 240	95 to 150	ESU 240 SIB	709774-1
WEIGHT (g)	MAIN	TAP	DESCRIPTION	PART NUMBER
	SECTION (mm <sup>2</sup> )			

THIS DRAWING IS A CONTROLLED DOCUMENT.		DWN RAVI.S 23AUG2021	<b>TE</b> TE Connectivity	
DIMENSIONS: mm		CHK M.BENOIT 23AUG2021		
TOLERANCES UNLESS OTHERWISE SPECIFIED:		APVD L.JONATHAN 23AUG2021	NAME ESU 240 SIB	
<ul style="list-style-type: none"> <li>0 PLC ± -</li> <li>1 PLC ± -</li> <li>2 PLC ± -</li> <li>3 PLC ± -</li> <li>4 PLC ± -</li> <li>ANGLES ± -</li> </ul>		PRODUCT SPEC -	RESTRICTED TO -	
MATERIAL -		FINISH -	APPLICATION SPEC -	WEIGHT -
		SIZE A3	CAGE CODE 00779	DRAWING NO C=709774
CUSTOMER DRAWING			SCALE 1:1	SHEET 1 OF 1
			REV A	