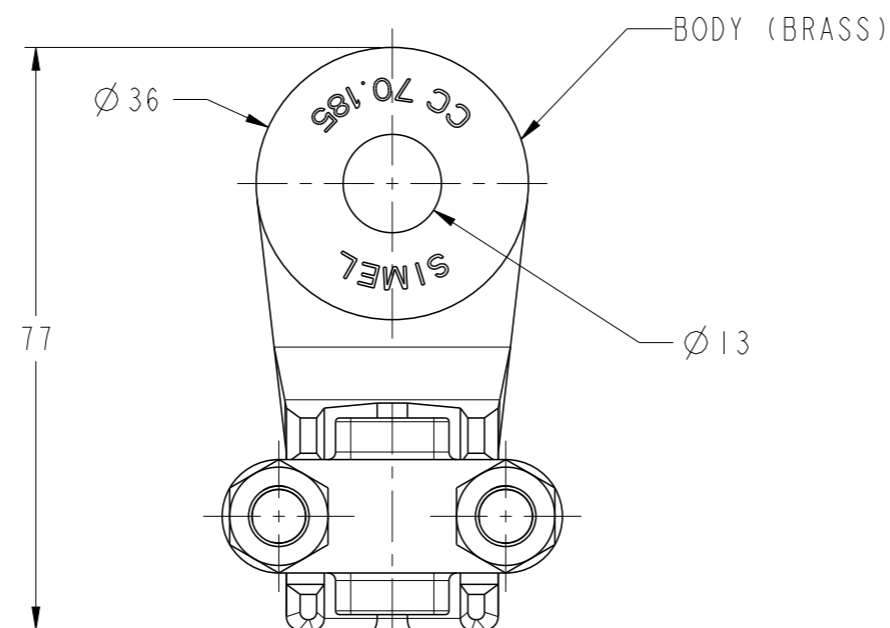
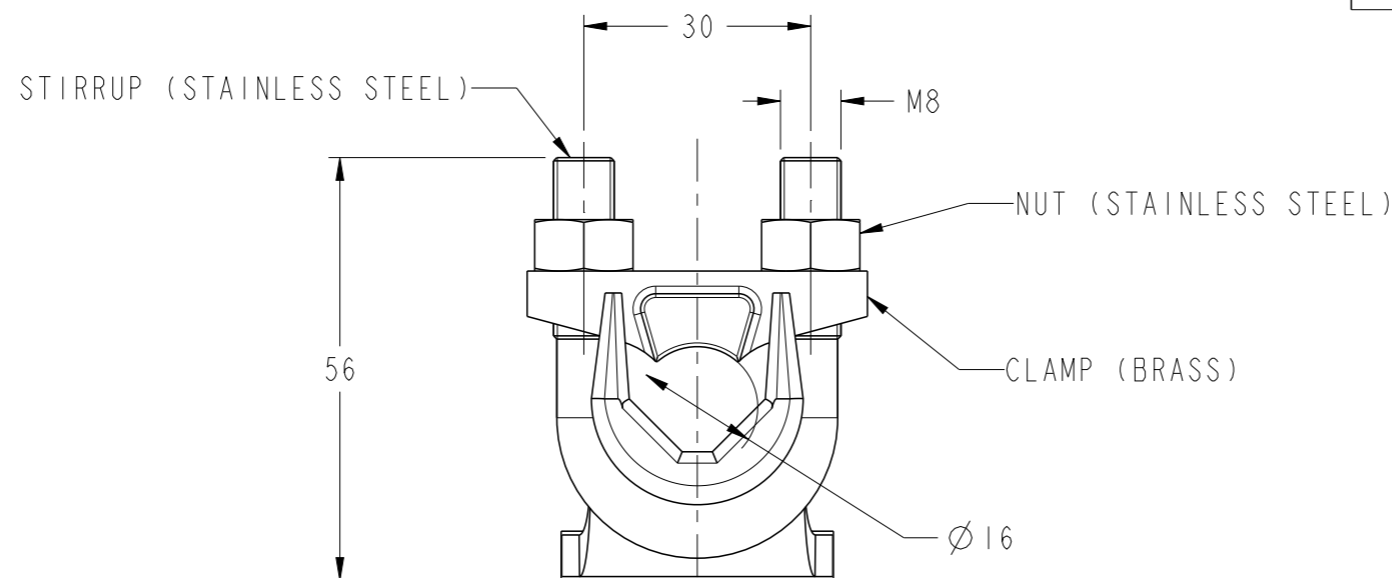


REVISIONS

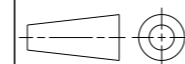
P	LTR	DESCRIPTION	DATE	DWN	APVD
	A	NEW DRAWING	30AUG2021	RS	LJ



244	70 to 185	CC 70-185 A D13	709763-1
WEIGHT (g)	CROSS SECTION (mm ²)	DESCRIPTION	PART NUMBER

THIS DRAWING IS A CONTROLLED DOCUMENT.

DIMENSIONS:
mm



MATERIAL

TOLERANCES UNLESS OTHERWISE SPECIFIED:

- 0 PLC ±-
- 1 PLC ±-
- 2 PLC ±-
- 3 PLC ±-
- 4 PLC ±-
- ANGLES ±-
- FINISH -

DWN 30AUG2021

RAVI.S

CHK 30AUG2021

M.BENOIT

APVD 30AUG2021

L.JONATHAN

PRODUCT SPEC

-

APPLICATION SPEC

-

WEIGHT

-

CUSTOMER DRAWING

NAME
CC 70-185 A D13

SIZE CAGE CODE DRAWING NO RESTRICTED TO

A3 00779 C-709763

SCALE 5:1 SHEET 1 OF 1 REV A

