

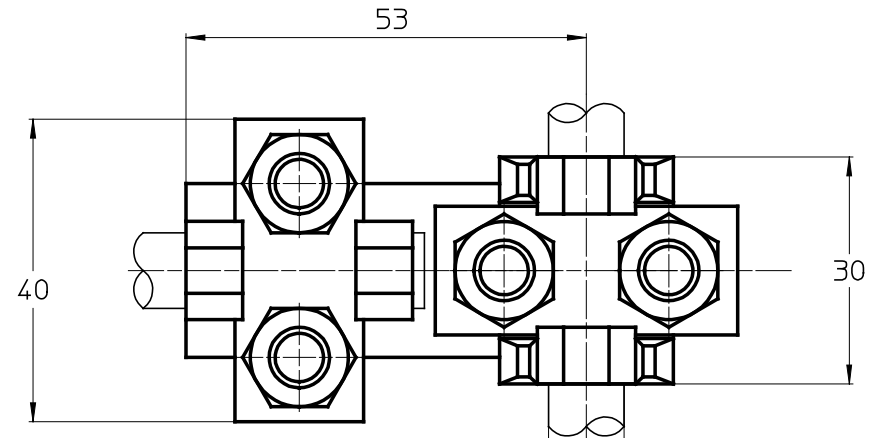
THIS DRAWING IS UNPUBLISHED.
 DIFFUSION RESTREINTE

RELEASED FOR PUBLICATION
 LIBRE A LA DIFFUSION

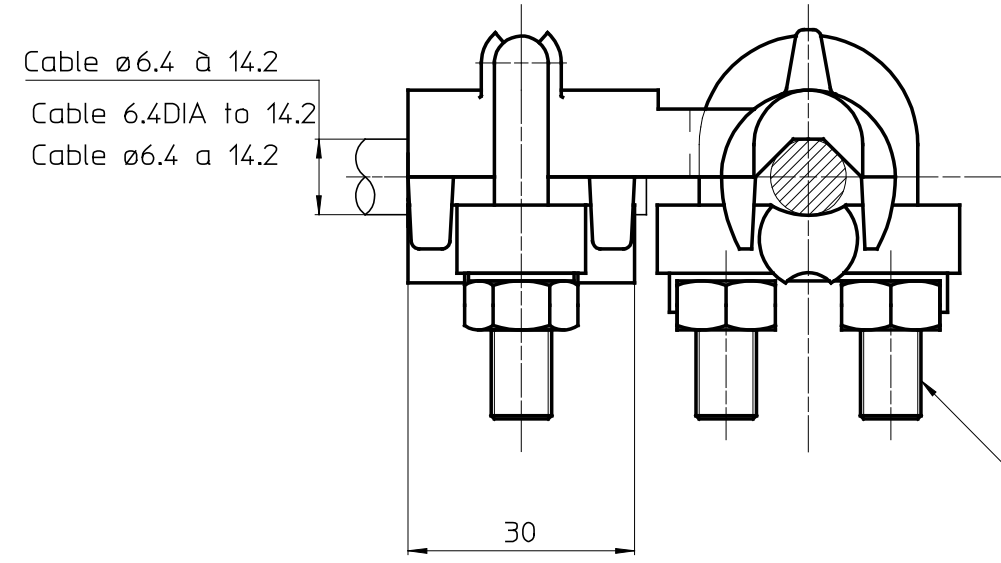
2011

© COPYRIGHT 2011 by Tyco Electronics Corporation
 ALL RIGHTS RESERVED.
 TOUS DROITS RESERVES

LOC	DIST	REVISIONS					
		P	LTR REV	DESCRIPTION MODIFICATIONS	DATE	DWN DESS	APVD APPR
-	-		A	CREATION	05-Dec-12	BH	-
			B	UPDATED DRAWING	24-Apr-13	GL	-




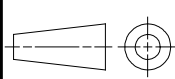
Cable Ø6.4 à 14.2
 Cable 6.4DIA to 14.2
 Cable ø6.4 a 14.2



Cable ø6.4 à 14.2
 Cable 6.4DIA to 14.2
 Cable ø6.4 a 14.2

2 Brides + étriers ø8 alliage de cuivre
 2 Caps + U bolts 8DIA copper alloy
 2 Bridas + horquillas ø8 aleacion de cobre } 10 Nm

ITEM:

THIS DRAWING IS A CONTROLLED DOCUMENT. <small>CE PLAN EST UN DOCUMENT CONTROLE PAR TYCO ELECTRONICS CORPORATION IL EST SUSCEPTIBLE D'ETRE REVISE POUR OBTENIR LA DERNIERE REVISION. CONTACTER LE SERVICE TECHNIQUE DE TYCO ELECTRONICS SIEL SAS, 21220 GEVREY-CHAMBERTIN, FRANCE.</small>		DWN /DESSINE HUARD	05-Dec-12	 TE connectivity SIMEL PRODUCTS	
DIMENSIONS: mm	TOLERANCES UNLESS OTHERWISE SPECIFIED PER TOLERANCES NON SPECIFIEES SELON : -	CHK/VERIFIE	-		
		APVD/APPROUVE	-	SIZE /FORMAT A3	RESTRICTED TO RESERVE A
		PRODUCT SPEC SPEC. PRODUIT	-	CAGE CODE 00779	DRAWING NO No PLAN C=709687
MATERIAL /MATIERE	FINISH /FINITION	APPLICATION SPEC SPEC. APPLICATION	-	WEIGHT /MASSE APPROX.	0.275 kg
		CUSTOMER DRAWING /PLAN CLIENT		UNIQUEMENT POUR REFERENCE	SCALE /ECHELLE 1/1
				SHEET /FEUILLE 1	OF /DE 1
				REV B	