

4

3

2

1

THIS DRAWING IS UNPUBLISHED.  
DIFFUSION RESTREINTE

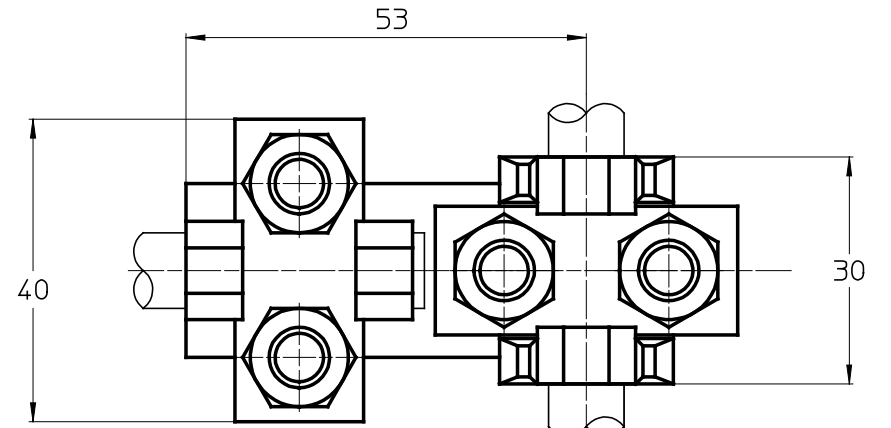
RELEASED FOR PUBLICATION  
LIBRE A LA DIFFUSION

2011

© COPYRIGHT 2011 by Tyco Electronics Corporation

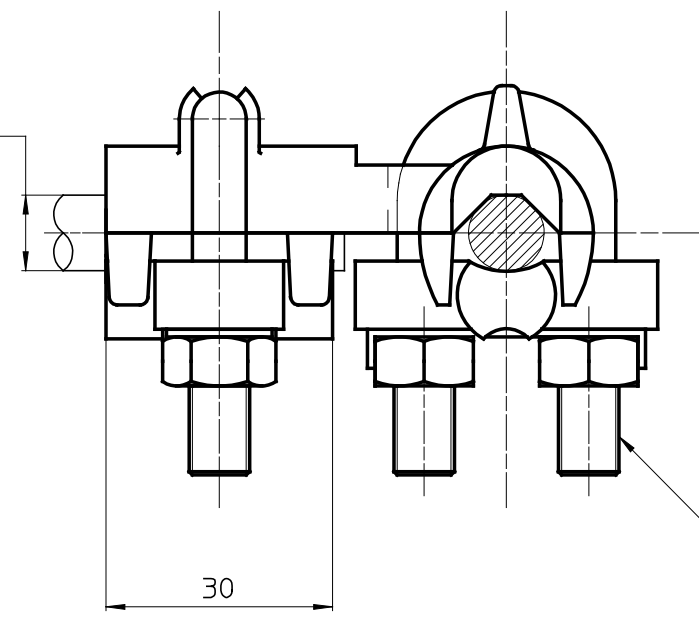
ALL RIGHTS RESERVED.  
TOUS DROITS RESERVES

LOC	DIST	REVISIONS				
P	LTR REV	DESCRIPTION MODIFICATIONS	DATE	DWN DESS	APVD APPR	
-	-	A	CREATION	05-Dec-12	BH	-





Cable Ø11.2 à 14  
Cable 11.2DIA to 14  
Cable ø11.2 a 14

Cable ø11.2 à 14  
Cable 11.2DIA to 14  
Cable ø11.2 a 14



2 Brides + étriers ø8 alliage de cuivre  
2 Caps + U bolts 8DIA copper alloy  
2 Bidas + horquillas ø8 aleacion de cobre } 10 Nm

ITEM: .....

THIS DRAWING IS A CONTROLLED DOCUMENT. <small>CE PLAN EST UN DOCUMENT CONTROLE PAR TYCO ELECTRONICS CORPORATION IL EST SUSCEPTIBLE D'ETRE REVISE POUR OBTENIR LA DERNIERE REVISION. CONTACTER LE SERVICE TECHNIQUE DE TYCO ELECTRONICS SMIEL SAS, 21220 GEVREY-CHAMBERTIN, FRANCE.</small>		DWN /DESSINE HUARD	05-Dec-12	 <b>TE connectivity</b> SIMEL PRODUCTS	
DIMENSIONS: mm	TOLERANCES UNLESS OTHERWISE SPECIFIED PER TOLERANCES NON SPECIFIEES SELON : -	CHK/VERIFIE	-		
		APVD/APPROUVE	-	SIZE FORMAT	A3
		PRODUCT SPEC SPEC. PRODUIT	-	CAGE CODE	00779
MATERIAL MATIERE	FINISH FINITION	APPLICATION SPEC SPEC. APPLICATION	-	DRAWING NO No PLAN	C=709686
-	-	WEIGHT MASSE APPROX.	0.275 kg	RESTRICTED TO RESERVE A	-
CUSTOMER DRAWING /PLAN CLIENT		UNIQUEMENT POUR REFERENCE	SCALE ECHELLE	1/1	SHEET FEUILLE
				1	OF DE
				1	REV
					A