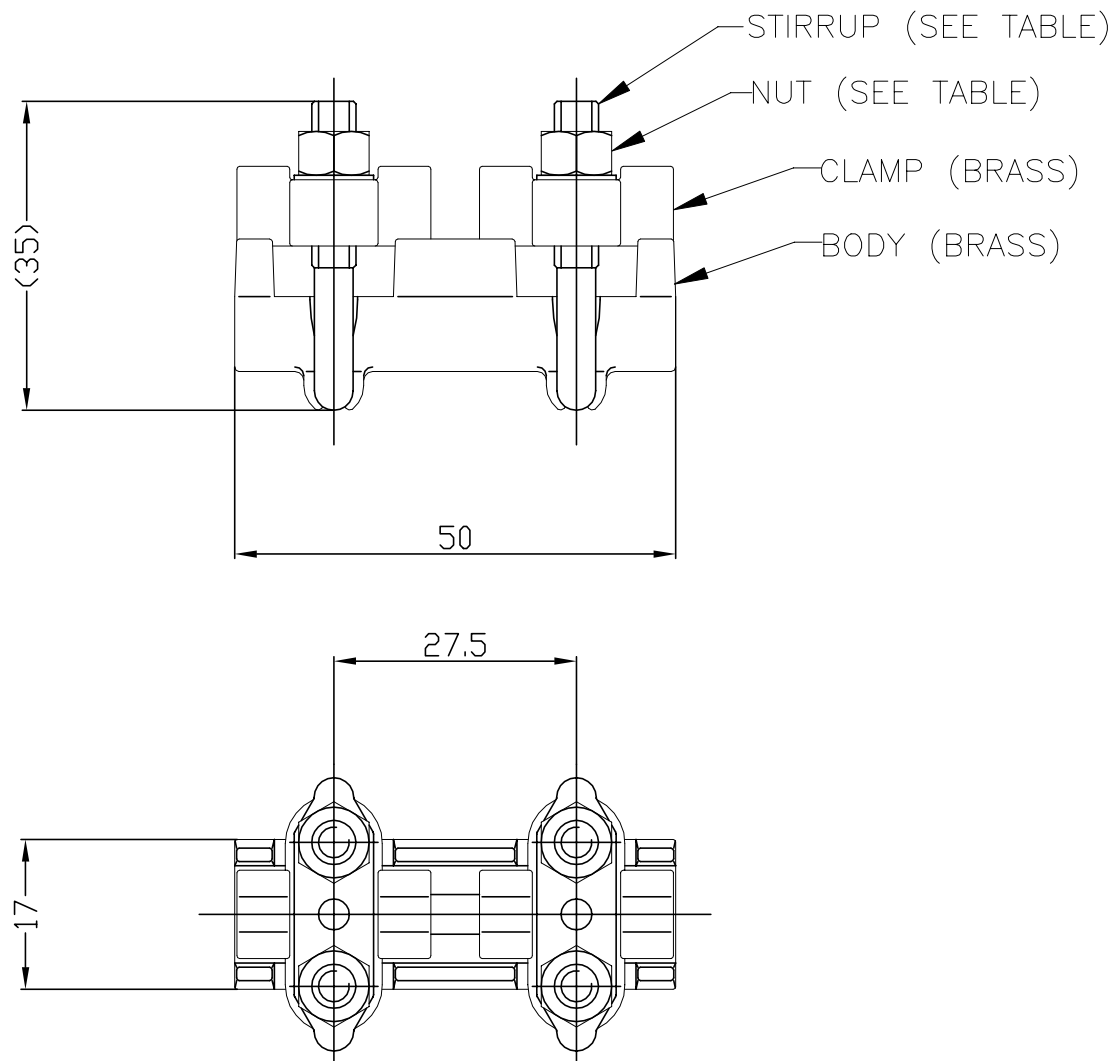


REVISIONS				
P	LTR	DESCRIPTION	DATE	DWN APVD
	A	NEW DRAWING	23AUG2021	RS LJ



BRONZE	108.5	10 to 70	CG 10-70 B RD1070B	709662-1
STAINLESS STEEL	105.5	10 to 70	CG 10-70 A RD1070A	709661-1
STIRRUP & NUT MATERIAL	WEIGHT (g)	SECTION (mm <sup>2</sup> )	DESCRIPTION	PART NUMBER

THIS DRAWING IS A CONTROLLED DOCUMENT.		DWN RAVI.S 23AUG2021		
DIMENSIONS: mm		CHK M.BENOIT 23AUG2021		
		APVD L.JONATHAN 23AUG2021		
TOLERANCES UNLESS OTHERWISE SPECIFIED:		NAME CG 10-70 X RD1070X		
0 PLC ± -		PRODUCT SPEC -		
1 PLC ± -		APPLICATION SPEC -		
2 PLC ± -		SIZE A3		
3 PLC ± -		CAGE CODE 00779		
4 PLC ± -		DRAWING NO C=709661		
ANGLES ± -		RESTRICTED TO -		
FINISH -		SCALE 1:1		
MATERIAL -		SHEET 1 OF 1		
		REV A		