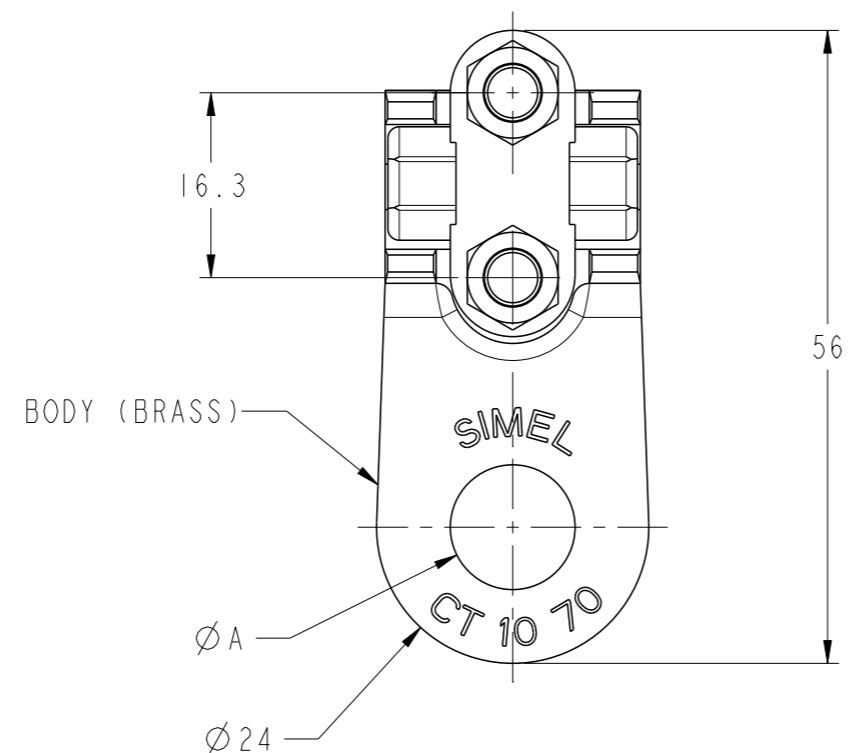
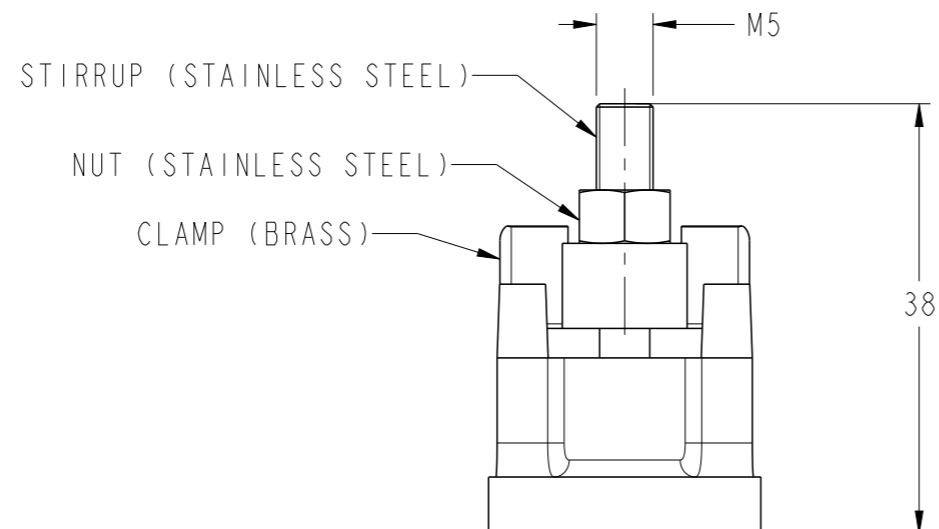


REVISIONS

P	LTR	DESCRIPTION	DATE	DWN	APVD
	A	NEW DRAWING	01SEP2021	RS	LJ



85	11	10 to 70	CT 10-70 A D11	709658-1
86.2	9	10 to 70	CT 10-70 A D9	709657-1
WEIGHT (g)	ØA	CROSS SECTION (mm <sup>2</sup> )	DESCRIPTION	PART NUMBER

THIS DRAWING IS A CONTROLLED DOCUMENT.

DIMENSIONS:	TOLERANCES UNLESS OTHERWISE SPECIFIED:
mm	
	0 PLC ±-
	1 PLC ±-
	2 PLC ±-
	3 PLC ±-
	4 PLC ±-
	ANGLES ±-
MATERIAL	FINISH
-	-

DWN	01SEP2021
RAVI.S	
CHK	01SEP2021
M.BENOIT	
APVD	01SEP2021
L.JONATHAN	
PRODUCT SPEC	-
APPLICATION SPEC	-
WEIGHT	-
CUSTOMER DRAWING	

**TE** TE Connectivity

NAME: CT 10-70 A DX

SIZE	CAGE CODE	DRAWING NO	RESTRICTED TO
A3	00779	©-709657	-

SCALE 5:1 SHEET 1 OF 1 REV A