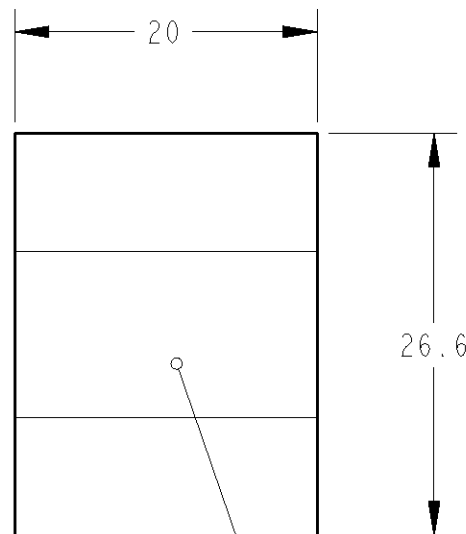
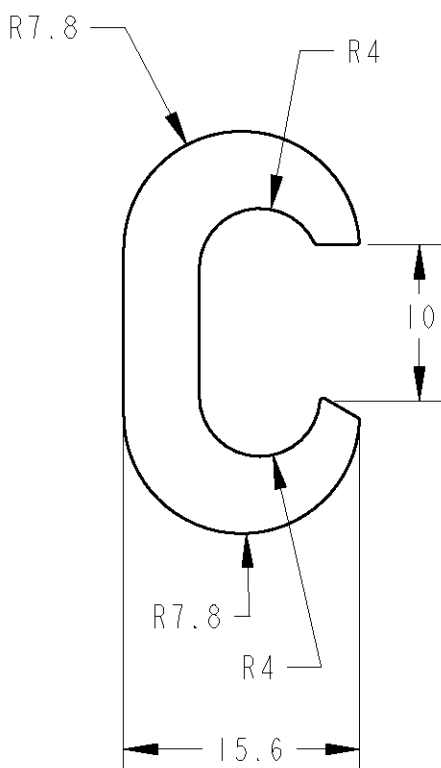
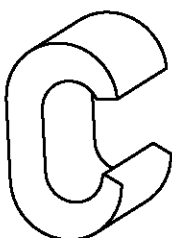


LOC	DIST	REVISIONS				
P	LTR REV	DESCRIPTION MODIFICATIONS	DATE	DWN DESS.	APVD APP.	
	C	E000-	23APR99	CA	JT	



Marquage :
 C 35E - E150Cu/E173-5
 logo - lot



ECHELLE 1:1

C 35E	709640-1
DESCRIPTION	PART NUMBER

THIS DRAWING IS UNPUBLISHED.
 DIFFUSION RESTREINTE AMP
 © COPYRIGHT 1998 BY AMP INCORPORATED.
 ALL RIGHTS RESERVED.
 TOUS DROITS RESERVES.

DIMENSIONS: mm TOLERANCES UNLESS OTHERWISE SPECIFIED: TOLERANCES NON SPECIFIEES (SUIV NB DE DECIMALES): 0 PLC /DEC: ±0 1 PLC /DEC: ±0 2 PLC /DEC: ±0 3 PLC /DEC: ±0 4 PLC /DEC: ±0 ANGLES ±	DWN /DESSINE C. ANDRE 23APR99	MATERIAL MATIERE Cuivre	TOLERANCES UNLESS OTHERWISE SPECIFIED TOLERANCES NON SPECIFIEES: -
	CHK /VERIFIE M. BAIJOT	FINISH FINITION Etame	AMP SIMEL 21220 Gevrey-Chambertin, FRANCE
APVD /APPROUVE JC. THIAUD	PRODUCT SPEC SPEC. PRODUIT	NAME TITRE CONNECTEUR C35	RESTRICTED TO RESERVE A -
APPLICATION SPEC SPEC. APPLICATION	WEIGHT MASSE APPROX. 39 gr	SIZE FORMAT A4	DRAWING NO No PLAN C=709640
	CUSTOMER DRAWING /PLAN CLIENT	UNIQUEMENT POUR REFERENCE	SCALE ECHELLE 2:1 SHEET FEUILLE 1 OF DE 1 REV C