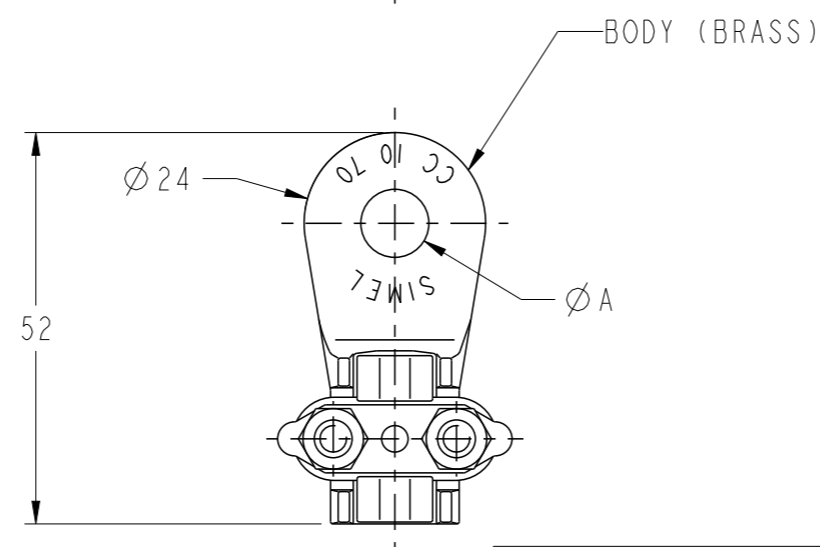
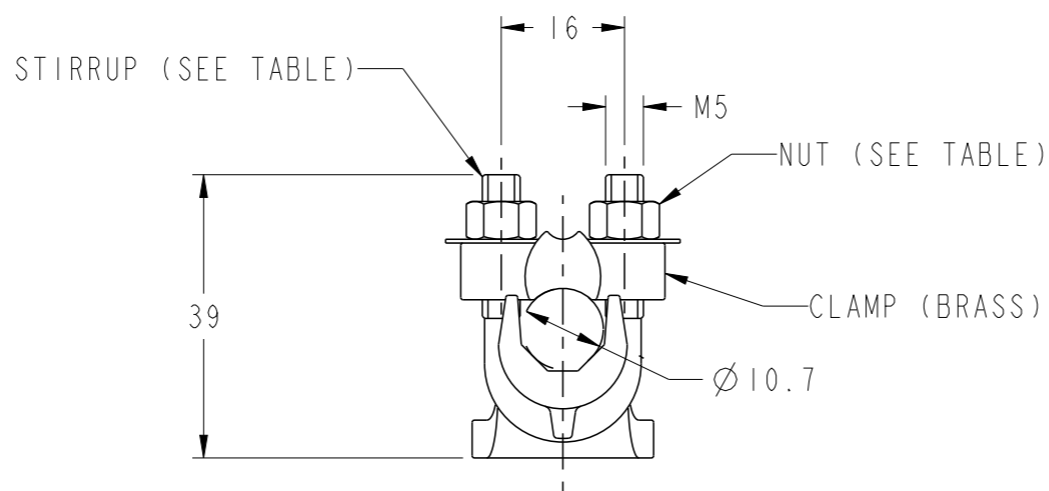


REVISIONS

P	LTR	DESCRIPTION	DATE	DWN	APVD
	A	NEW DRAWING	23AUG2021	RS	LJ



BRONZE	77	9	10 to 70	CC 10-70 B D9 CD1070B	709604-2
BRONZE	70.6	15		CC 10-70 B D15	709716-1
BRONZE	73	13		CC 10-70 B D13	709606-1
BRONZE	77	11		CC 10-70 B D11	709608-2
STAINLESS STEEL	74.6	9		CC 10-70 A D9 CD1070A	709603-2
STAINLESS STEEL	71.2	13		CC 10-70 A D13	709605-2
STAINLESS STEEL	73.4	11		CC 10-70 A D11	709607-1
STIRRUP & NUT MATERIAL	WEIGHT (g)	ØA	SECTION (mm ²)	DESCRIPTION	PART NUMBER

THIS DRAWING IS A CONTROLLED DOCUMENT.		DWN RAVI.S 23AUG2021			
DIMENSIONS: mm		CHK M.BENOIT 23AUG2021			
TOLERANCES UNLESS OTHERWISE SPECIFIED:		APVD L.JONATHAN 23AUG2021	PRODUCT SPEC		
0 PLC ±-		APPLICATION SPEC			
1 PLC ±-		-			
2 PLC ±-		WEIGHT			
3 PLC ±-		A3 00779 C-709606			
4 PLC ±-		RESTRICTED TO			
ANGLES ±-		-			
MATERIAL		SCALE 1:1 SHEET 1 OF 1 REV A			
FINISH		CUSTOMER DRAWING			