

4

3

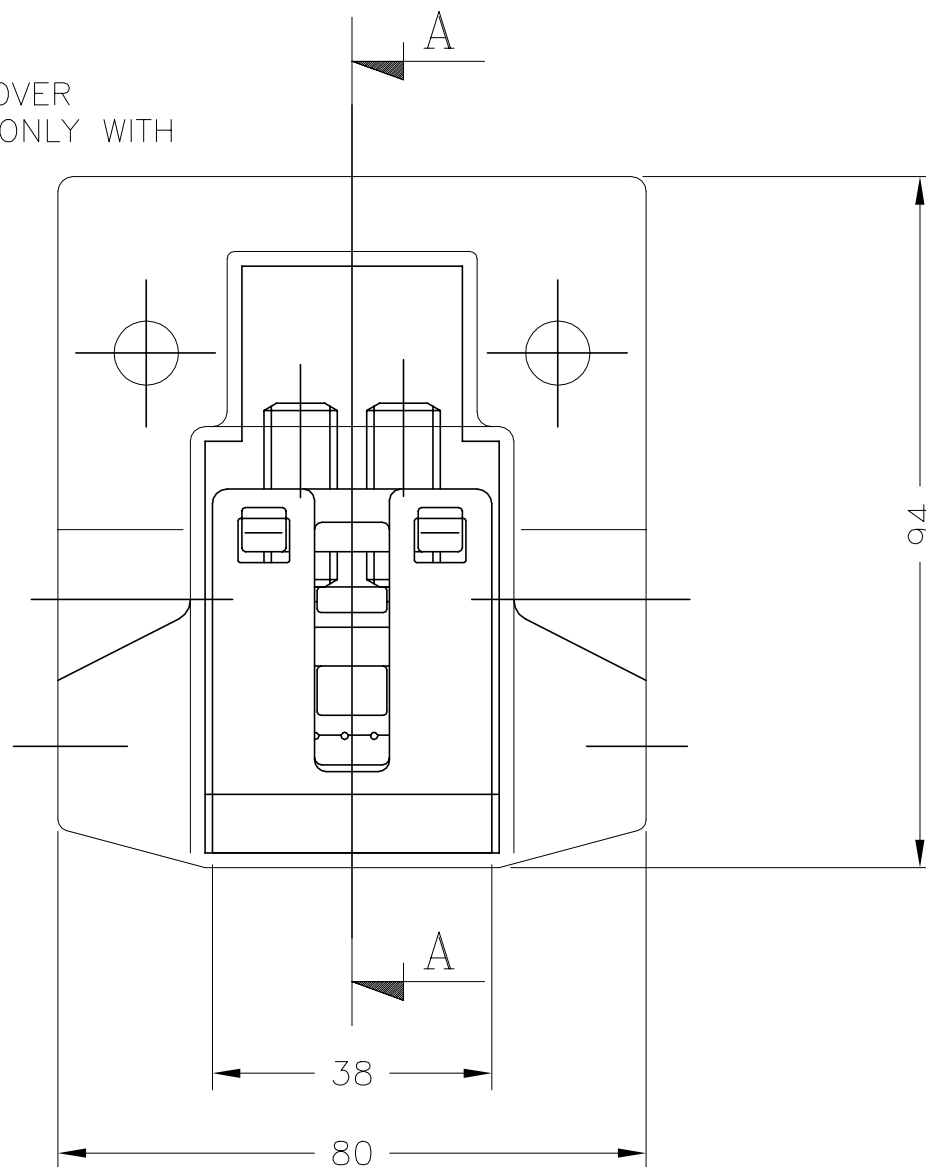
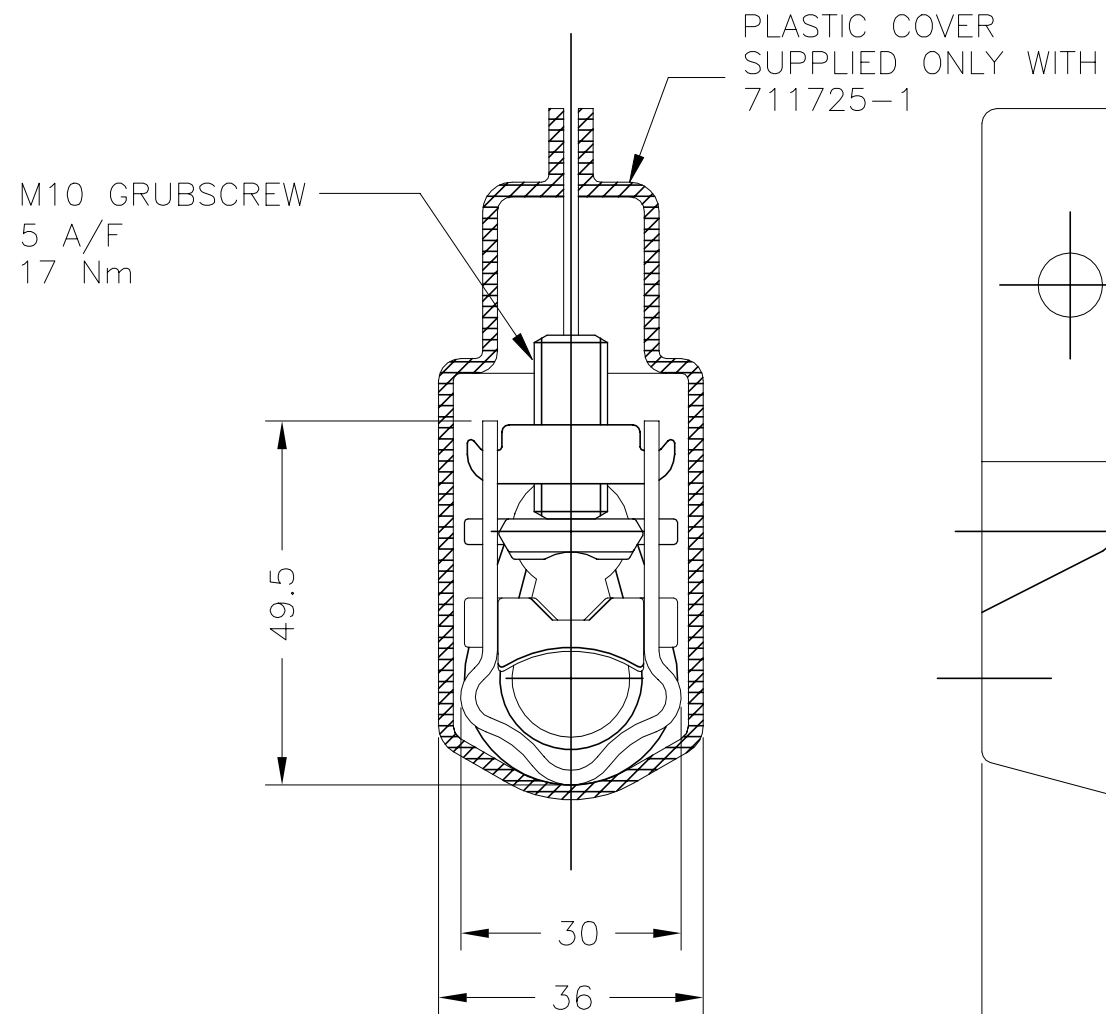
2

1

REVISIONS

P	LTR	DESCRIPTION	DATE	DWN	APVD
	A	NEW DRAWING	23AUG2021	RS	LJ

SECTION A-A



236	95 to 240	16 to 70	ESU 150+GOUSSET	711725-1
180	95 to 240	16 to 70	ESU 150	709542-2
WEIGHT (g)	SECTION (mm <sup>2</sup> )		DESCRIPTION	PART NUMBER
	MAIN	TAP		

THIS DRAWING IS A CONTROLLED DOCUMENT.		DWN	23AUG2021	TE Connectivity	
DIMENSIONS:		CHK	23AUG2021		
mm		M.BENOIT			
TOLERANCES UNLESS OTHERWISE SPECIFIED:		APVD	23AUG2021	NAME	
0 PLC ± -		L.JONATHAN		ESU 150 ...	
1 PLC ± -		PRODUCT SPEC		SIZE	
2 PLC ± -		APPLICATION SPEC		CAGE CODE	
3 PLC ± -		WEIGHT		DRAWING NO	
4 PLC ± -		-		RESTRICTED TO	
ANGLES ± -		-		A3 00779	
FINISH		-		C=709542	
MATERIAL		-		SCALE 1:1	
-		-		SHEET 1 OF 1	
		CUSTOMER DRAWING		REV A	