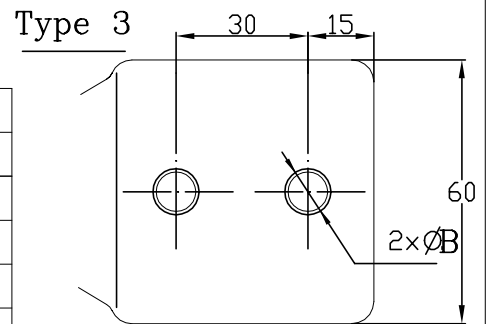
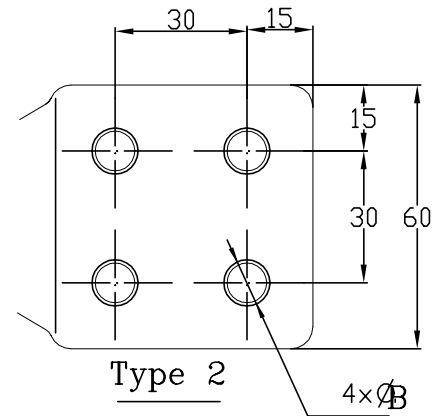
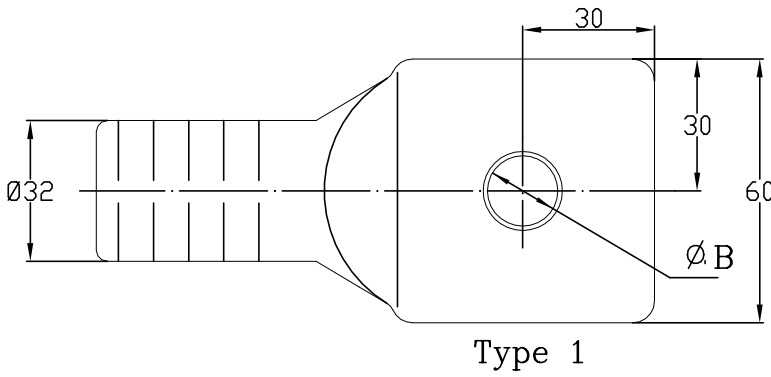
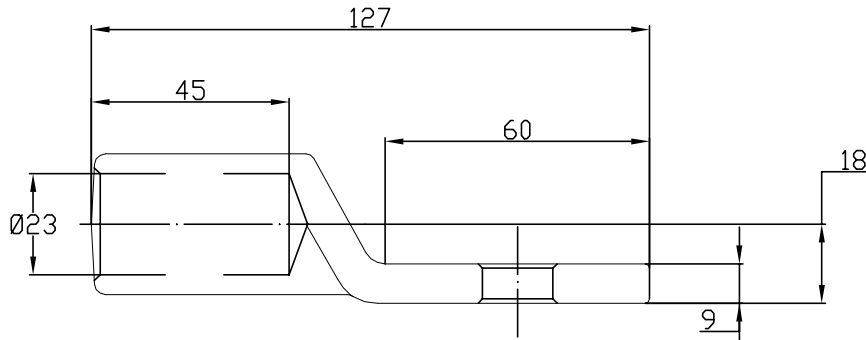


LOC		DIST		REVISIONS				
P	LTR REV	DESCRIPTION MODIFICATIONS			DATE	DWN DESS.	APVD APP.	
		0	Creation			28-Jan-00	CA	JT
		A	Ajout -6 - type 3			05-Jul-06	CA	AG
		B	PN'S 709089-8 & 1-709089-5 ADDED AS PER ECD-21-007973			24AUG2021	RS	LJ

MARQUAGE: REFERENCE, LOGO, LOT FAB., OUTILLAGE
MARKING: REFERENCE, LOGO, DATE, DIE

OUTILLAGE: E 400 CU
DIE: E 400 CU



Finish	Type	Ø B	DESCRIPTION	Part Number
TINNED	1	20	DPD7 300/60X60 D20 T	1-709089-5
TINNED	1	16,5	DPD7 300/60X60-D16.5 T	709089-8
NA	3	14	DPD7 300/60x60-2D14	709089-6
NA	2	16,5	DPD7 300/60x60-4D16,5	709089-4
NA	2	14	DPD7 300/60x60-4D14	709089-3
NA	2	9	DPD7 300/60x60-4D9x30	709089-2
NA	1	without hole	DPD7 300/60x60-NP	709089-1

MATIERE: CUIVRE
MATERIAL: COPPER

THIS DRAWING IS UNPUBLISHED. ALL RIGHTS RESERVED. TOUS DROITS RESERVES.
 © COPYRIGHT 19 BY AMP INCORPORATED.

DIMENSIONS: mm	DWN /DESSINE ANDRE	05-Jul-06	MATERIAL MATIERE	CUivre / Copper	FINISH FINITION	-
	CHK /VERIFIE BRIANCON	-	SIMEL 21220 Gevrey Chambertin FRANCE			
TOLERANCES UNLESS OTHERWISE SPECIFIED PER TOLERANCES NON SPECIFIEES SELON :-	APVD /APPROUVE GUICHARD	-				
	PRODUCT SPEC SPEC. PRODUIT	-	SIZE FORMAT	A4	CAGE CODE	00779
	APPLICATION SPEC SPEC. APPLICATION	-	DRAWING NO No PLAN	C = 709089		
	WEIGHT MASSE APPROX.	-	UNIQUEMENT POUR REFERENCE	SCALE EHELLE	- /	SHEET FEUILLE 1 OF DE 1
CUSTOMER DWG / PLAN CLIENT			REV		B	