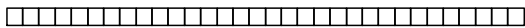
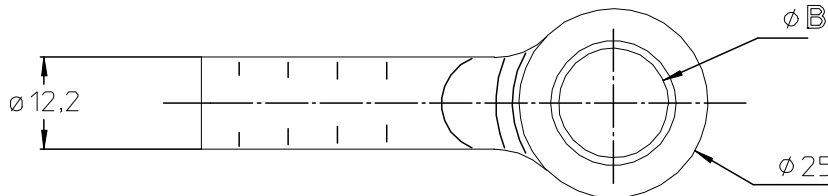
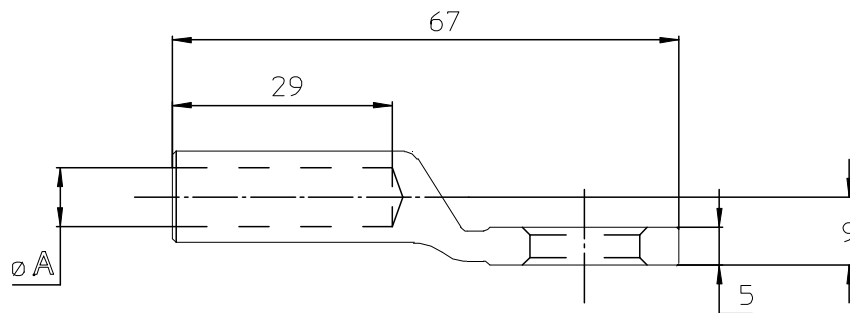
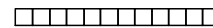


LOC FH	DIST 2	REVISIONS				
P	LTR REV	DESCRIPTION MODIFICATIONS	DATE	DWN DESS.	APVD APP.	
	0	Creation	28-Jan-00	CA	JT	

MARQUAGE: REFERENCE, LOGO, LOT FAB., OUTILLAGE

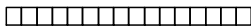


OUTILLAGE: E 50 CU



N.A	9,5	14,5	DPD7 50-D14,5	709216-2	
N.A	9,5	12,8	DPD7 50-12	709216-1	
N.A	8,5	12,8	DPD7 35-12	709215-1	
ETAMÉ / TINNED	7,8	14,5	DPD7 29/25 D14,5 E	709290-5	
ETAMÉ / TINNED	7,8	10,5	DPD7 29/25 D10,5 E	709290-2	
N.A	7,8	12,8	DPD7 29-12	709903-1	
N.A	7	12,8	DPD7 25-12	709214-1	
N.A	5,5	12,8	DPD7 16-12	709085-1	
PROTECTION		Ø A	Ø B	DESCRIPTION	Part Number

MATIERE: CUIVRE



RELEASED FOR PUBLICATION

THIS DRAWING IS UNPUBLISHED.
DIFFUSION RESENTE AMP

BY AMP INCORPORATED. ALL RIGHTS RESERVED. TOUS DROITS RESERVES.

© COPYRIGHT 19

DIMENSIONS:

mm

TOLERANCES UNLESS OTHERWISE SPECIFIED PER TOLERANCES NON SPECIFIEES SELON :

DWN /DESSINE 27-Jan-00
ANDRE

CHK /VERIFIE -
CHAUVIN

APVD /APPROUVE -
THIARD

PRODUCT SPEC
SPEC. PRODUIT -

APPLICATION SPEC
SPEC. APPLICATION -

WEIGHT
MASSE APPROX. -

MATERIAL
MATIERE Cuivre / Copper

FINISH
FINITION -

AMP

AMP SIMEL

21220 Gevrey Chambertin
FRANCE

NAME
TITRE

DPD7 16 to 50 ..

SIZE
FORMAT

A4

CAGE CODE

00779

DRAWING NO
No PLAN

© = 709085

CUSTOMER DWG / PLAN CLIENT

UNIQUEMENT
POUR REFERENCE

SCALE
ECHELLE - / -

SHEET
FEUILLE 1 OF 1 DE 1

REV 0